



Spare Parts Catalog

16 S 151

Material number: 1315.051.141

Current date: 19.11.2014

ZF Friedrichshafen AG
Hauptverwaltung
80038 Friedrichshafen
Deutschland

Telefon: +49 7541 77-0

Telefax: +49 7541 77-908000

www.zf.com

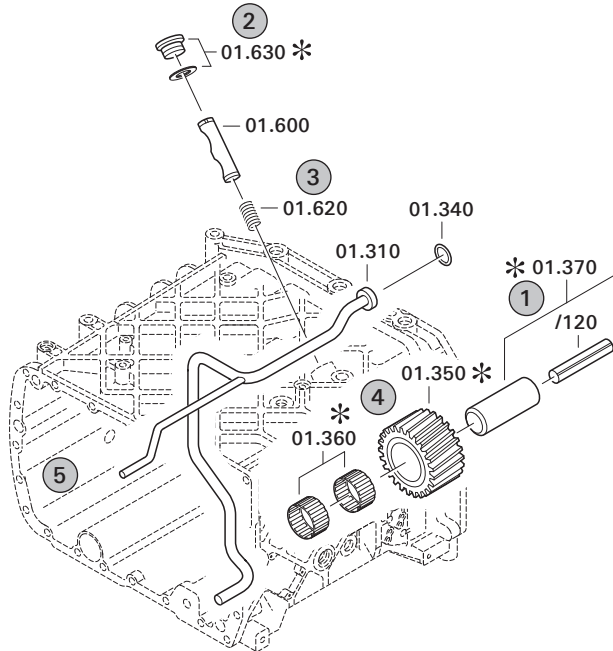
zuständiges Werk:
Friedrichshafen

Notes relating to the spare parts catalog

Setup of the spare parts catalog

- Cover sheet
- Technical Cover (only in SDM print)
- Overview of figures
- Figure
- Associated parts list
- Next figure
- Associated parts list
- ...

Figure and parts list



Overview of figures

Bildtafel Figure	Sachnummer Product number	Benennung (Description)	Technische Info Technical info	Description (Benennung)	Menge Quantity	Einheit Unit
068.08.17	1316.170.001	AUSLEGER	WL	SHIFT TURRET	1	Stk
068.08.06	1316.170.031	DECKEL	WL*H-H *VM	COVER	1	Stk
068.08.14	1316.170.808	DECKEL	WL*AUSL+GEH*H-H*HF160N	COVER	1	Stk
08	1316.170.441	ANSCHLUSSTEILE	WL*NG-VORB*RG-SCHL*168N *BAJONETT	CONNECTING PARTS	1	Stk

The "gap" indicates that there is no separate graphics panel (poster) for this assembly
The parts of this assembly are shown with the same mid-section number on the figure

1 Positions and subpositions

Pos.	Sachnummer Product number	Benennung (Description)	Technische Info Technical info	Description (Benennung)	Menge Quantity	Einheit Unit
0370	1315.201.054	RUECKLAUFBOLZEN	KPL.16S151*SG*L= 79	REV.IDLER SHAFT	1	Stk
/0120	0631.329.293	SPANNSTIFT		SLOT. PIN	1	Stk

Positions marked with "/" are the individual items of a completion
For example: Position 0370 contains a centering pin with the position /0120

2 Combinations with standardized parts

Pos.	Sachnummer Product number	Benennung (Description)	Technische Info Technical info	Description (Benennung)	Menge Quantity	Einheit Unit
0630		VERSCHL.SCHR.		SCREW PLUG	1	Stk
	0636.302.067	VERSCHL.SCHR.		SCREW PLUG	1	Stk
	0634.801.249	DICHTRING	A 26 X 31	SEALING RING	1	Stk

The parts list shows the components included in the combination of standardized parts

3 Depiction of position/item number on the figure and in the parts list

01.620 - on the figure 01 relates to the assembly in which the position is included. Due to program-related reasons, it is shown on the figure.

0620 - in the parts list

Pos.	Sachnummer Product number	Benennung (Description)	Technische Info Technical info	Description (Benennung)	Menge Quantity	Einheit Unit
0620	0732.040.736	DRUCKFEDER		COMPRESSION SPRING	1	Stk

4 *-Positions

Positions marked with an * are optional i.e. inclusion in the parts list is not mandatory.
The following note is shown on the figure

je nach Stücklistenausführung
depending on spec. number
*
suivant la nomenclature
secondo la distinta base

5 Parts, dotted display

Parts with dotted display on the figure are only used for orientation of other parts

Technical Cover

Page 1 from 4

Material number: 1315.051.141



16 S 151 /

Pos.	Information	Amendment number
001	Use case -----	
002	Customer GM Daewoo Auto & Technology	
003	City Chungnam	
004	DUNS	
005	Vehicle / Apparatus -----	
006	Sales Name	
007	Manufacturer GM Daewoo Auto & Technology	
008	Engineering Name	
009	Product Use TRUCK	
010	Vehicle/Hardware Type ROAD TRACTOR	
011	SOP	
012	Engine	
013	Sales Designation	
014	Manufacturer GM Daewoo Auto & Technology	
015	Eng.Displ.	
016	Cylinder	
017	Nom. power 279 kW	
018	RPM at nom. power 2300 1/min	
019	Nom. torque 1200 Nm	
020	RPM at nom. torque 1300 1/min	
021	Classification use case -----	
024	TOTAL NUMBER OF WHEELS 6	
025	NUMBER OF DRIVING WHEELS 4	
026	DYNAMIC TYRE RADIUS 522 mm	
027	REAR AXLE RATIO 4.88	
028	MAXIMUM SPEED 110 km/h	
031	PERMISS.GROSS VEHICLE WEIGHT 25 t	
032	PERMISS.GROSS COMBIN.WEIGHT 53 t	
033	Product description -----	
034	INSTALLATION POS TRANSMISSION HORIZONTAL LEFT	
035	TRANSMISSION ATTACHMENT FLANGE-MOUNTED	
037	RATIO, BOTTOM GEAR 13.8	
038	RATIO, TOP GEAR .84	



Pos.	Information	Amendment number
039	RATIO, 1ST GEAR 13.8	
040	RATIO, 2ND GEAR 11.55	
041	RATIO, 3RD GEAR 9.59	
042	RATIO, 4TH GEAR 8.02	
043	RATIO, 5TH GEAR 6.81	
044	RATIO, 6TH GEAR 5.7	
045	RATIO, 7TH GEAR 4.58	
046	RATIO, 8TH GEAR 3.84	
047	RATIO, 9TH GEAR 3.01	
048	RATIO, 10TH GEAR 2.52	
049	RATIO, 11TH GEAR 2.09	
050	RATIO, 12TH GEAR 1.75	
051	RATIO, 13TH GEAR 1.49	
052	RATIO, 14TH GEAR 1.24	
053	RATIO, 15TH GEAR 1	
054	RATIO, 16TH GEAR .84	
055	RATIO, 1ST GEAR REVERSE 13.17	
056	RATIO, 2ND GEAR REVERSE 11.03	
057	SET OF RATIOS SG	
062	DESIGN, SHIFT SYSTEM TURNING SHAFT	
063	POSITION, GEAR SHIFT SYSTEM HORIZONTAL LEFT	
064	DESIGN, SHIFT PATTERN H-H	
065	VERSION SHIFT SUPPORT WITHOUT GROOVE	
066	VERSION ACTUATION SHIFT SYSTEM MECHANICAL	
080	DESIGN, THROTTLE, CUT-OFF VALVE D=1.55	
081	DESIGN AIR CONNECT. CUT-OFF VALVE F	
082	ASSEMBLY NOTE CUT-OFF VALVE CUT-OFF VALVE	
085	SELECTION PATTERN VARIANT GEAR SHIFT PATTERN 1	
089	DESIGN, SEPARATING CLUTCH FULL-SYNCHRONIZED	
090	VERSION OF SYNCHRONIZER 1 1.+2.GEAR DK-SYNCHRONIZATION	
091	VERSION OF SYNCHRONIZER 2 3.+4.GEAR BK-SYNCHRONIZATION	
092	REFERENCE LENGTH INPUT SHAFT 109 mm	
093	STANDARD TYPE INPUT SHAFT SAE	



Pos.	Information	Amendment number
094	NUMBER OF WEDGES INPUT SHAFT 10	
097	VERSION OF INPUT SHAFT FORM C	
098	NOMINAL DIAMETER INPUT SHAFT 2 in	
100	DIAMETER, JOURNAL, INPUT SHAFT 25 mm	
101	TYPE FIT SPIGOTS INPUT SHAFT F7	
102	VER. BEAR. SPIGOTS INPUT SHAFT TAPER ROLLER	
103	LENGTH, INPUT SHAFT 382.5 mm	
104	DIAMETER SHAFT OF INPUT SHAFT 50.3 mm	
105	LENGTH, PROFILE, INPUT SHAFT 120 mm	
106	BUSH VARIANT INPUT SHAFT WITHOUT GROOVE	
107	VERSION BEARING CONSTANT 1 GL	
108	DIAMETER BEARING INPUT SHAFT 99.916 mm	
109	TYPE FIT BEAR. INPUT SHAFT H5	
117	DESIGN BEARING OUTPUT STANDARD SUSPENSION	
119	POSITION MOUNT. FACE HOUSING 2 WITHOUT GROOVE	
126	REF.LENGTH,RELEASE BEAR.FLAN -7 mm	
127	DIAMETER, RELEASE FLANGE 60 mm	
128	TYPE FIT RELEASE BEARING FLA. F8	
133	OUTER DIA. OUTPUT FLANGE RA 180 mm	
137	NO.OF SCREWS OUTPUT FLANGE RA 4	
139	DIA. THREAD OUTPUT FL. SCR. RA M14	
140	THREAD PITCH OUTPUT FL SCR. RA 1.5 mm	
141	THREAD LENGTH OUTP.FL SCREW RA 50 mm	
143	REF. LENGTH OUTPUT FLANGE RA 209 mm	
150	DIMENSION SHIFT TURRET DIST. 288 mm	
151	MEAS. LOC. SHIFT TURRET DIST. SHIFT LEVER-LOCATION	
157	RADIUS 1 SHIFT LEVER 110 mm	
158	SHIFT LEVER CONNECTION KNURLING	
159	DESIGN, OFFSET, SHIFT LEVER INSIDE	
161	LEVER POSITION SHIFTING OUTPUT C	
175	SPRING ARRANGEMENT Q3	
176	SPRING FORCE DETENT PLUNGER RG 60 N	
177	HUMP SPRING FORCE, OUTSIDE 120 N	



Pos.	Information	Amendment number
180	SELECTOR SPRING FORCE, OUTSIDE 50 N	
181	SELECTOR SPRING FORCE, INSIDE 26 N	
182	SPRING FORCE,GEAR DETENT NG+GG 87 N	
183	SPRING FORCE OUTS. DETENT NEUT 200 N	
191	RATIO MECHANIC TACHO INPUT 1.545	
193	SWITCH, REVERSE GEAR y	
194	DESIGN, RG (REV.GEAR) SWITCH CLOSING	
197	PROT.CAP SWITCH, REVERSE GEAR y	
199	NOTE ON SWITCH, REVERSE GEAR G.SHIFT SHAFT	
200	SWITCH, NEUTRAL GEAR y	
201	DESIGN,NG(NEUTRAL GEAR)SWITCH OPENING SWITCH	
204	PROT.CAP SWITCH, NEUTRAL GEAR y	
221	FUNCTION OF R/C SWITCH GP	
222	DESIGN, GP SWITCH OPENING SWITCH	
225	PROTECTING CAP GP SWITCH y	
232	FUNCTION OF S/G SWITCH GV	
233	DESIGN, GV SWITCH CLOSING	
236	PROTECTING CAP GV SWITCH y	
283	ATTACHM.POS.HEAT EXCHANGER IN FRONT LEFT PREPARED	
336	POSITION, OIL FILLER HOUSING LEFT+RIGHT	
337	NOTE ON OIL FILL FILL IN OVERFLOW	
338	OIL CAPACITY, GEARBOX 11 dm3	
340	OIL GRADE PERMISSIBLE ACC. TO TE-ML02	
341	OIL CLASS FIRST FILLING H	
342	CODING OUTER CONSERVATION KA2	
343	SCOPE OUTER CONSERVATION T	
344	CODING INNER CONSERVATION KI2	
345	CONSERVATION SPECIFICATION ZFN 916	
346	CODING NUMBER OF PLUGS S30	
347	COLOR JET BLACK	
348	COLOUR CLASSIFICATION ACC. TO RAL 9005	
349	PAINTING, ZF STANDARD 915 W	

Assembly group overview

Page 1 from 2

Material number: 1315.051.141



16 S 151 /

Graphics	Pos.	Material number	Name	Quantity	Amend. no.	Techn. Info.
068.01.05-1	110	1315.101.070	TRANSMISSION HOUSING	1		
068.01.51-1	120	1315.101.991	TRANSMISSION HOUSING	1		
068.02.54-1	140	1315.102.429	CONNECTION PLATE	1		
068.02.82-1	150	1315.102.811	INPUT SHAFT	1		
068.02.02-1	910	1315.102.035	INPUT SHAFT	1		
068.03.80-1	180	1316.103.803	COUNTERSHAFT	1		
068.03.01-1	920	1315.103.008	COUNTERSHAFT	1		
068.04.10-1	930	1315.104.020	MAIN SHAFT	1		
068.06.01-1	230	1315.106.008	SHIFT SYSTEM	1		
068.06.43-1	234	1315.106.422	CONNECTING PARTS	1		
068.06.80-1	238	1315.106.800	SHIFT SYSTEM	1		
068.07.71-1	282	1315.107.841	GEAR SHIFT HOUSING	1		
068.07.12-1	910	1316.107.036	GEAR SHIFT HOUSING	1		
068.07.16-1	914	1316.107.433	GEARSHIFT SHAFT	1		
068.07.12-1	920	1316.107.007	CONNECTING PARTS	1		
068.08.17-1	926	1316.170.001	SHIFT TURRET	1		
068.08.06-1	930	1316.170.031	COVER	1		
068.08.06-1	934	1316.170.809	COVER	1		
068.08.06-1	938	1316.170.440	CONNECTING PARTS	1		
068.12.02-1	922	1316.149.002	SET OF SPRINGS	1		
068.40.04-1	500	1315.112.017	GV-SHIFT SYSTEM	1		
068.40.42-1	502	1315.112.424	CONNECTING PARTS	1		
068.43.21-1	10	1315.131.047	COVER	1		
068.43.06-1	20	1315.131.049	RC HOUSING	1		
068.43.45-1	24	1315.131.401	CONNECTING PARTS	1		
068.43.40-1	30	1315.131.400	CLOSING COMPONENTS	1		
068.43.80-1	512	1315.131.805	RC HOUSING	1		
068.44.04-1	40	1315.132.006	PLANETARY DRIVE	1		
068.44.41-1	50	1315.132.408	PLANETARY DRIVE	1		
068.45.07-1	70	1315.133.002	SYNCHRONIZER	1		
068.45.40-1	80	1315.133.405	SYNCHRONIZER	1		
073.98.01-1	KIT	1272.298.934	SMALL COMP.SET	1		

Assembly group overview

Page 2 from 2

Material number: 1315.051.141



16 S 151 /

Graphics	Pos.	Material number	Name	Quantity	Amend. no.	Techn. Info.
068.46.03-1	90	1315.134.015	GP SHIFT SYSTEM	1		
068.46.40-1	554	1315.134.407	CONNECTING PARTS	1		
068.57.04-1	390	1315.145.004	RANGE SELECTION	1		
068.93.07	130	1315.168.019	CLUTCH RELEASE DEVICE	1		

Plant

Page 1 from 2

Material number: 1315.051.141

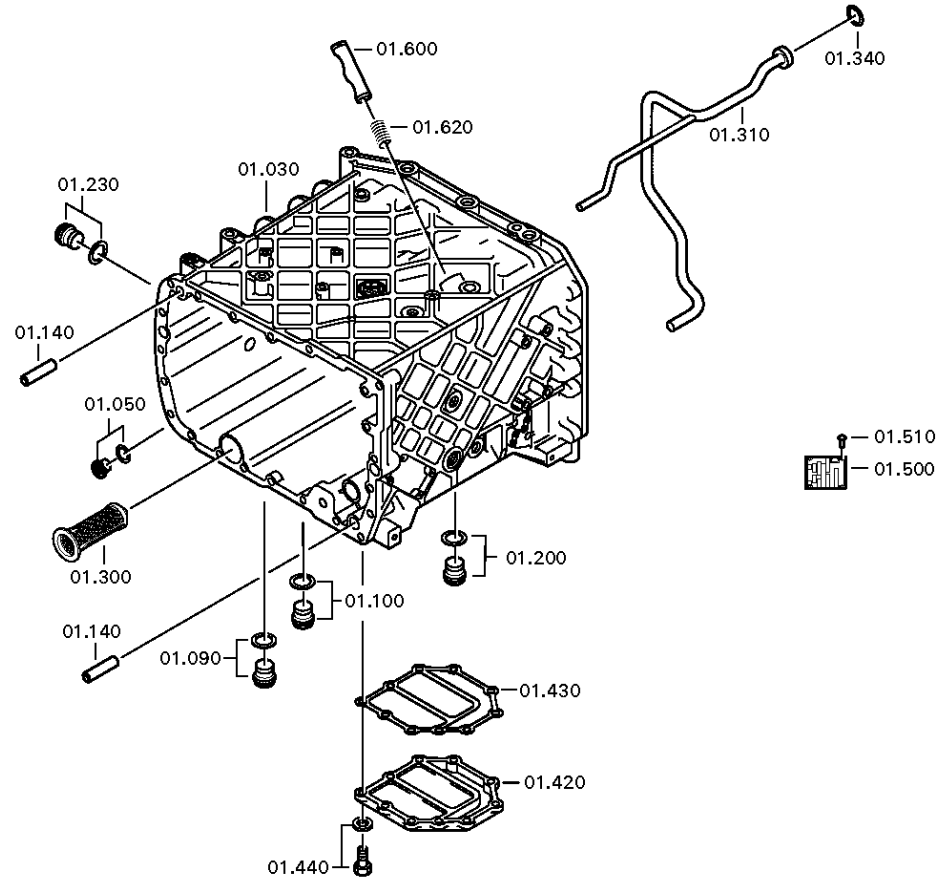
Plant: 068.01.05-1

TRANSMISSION HOUSING



16 S 151 /

TRANSMISSION HOUSING



Plant

Page 2 from 2

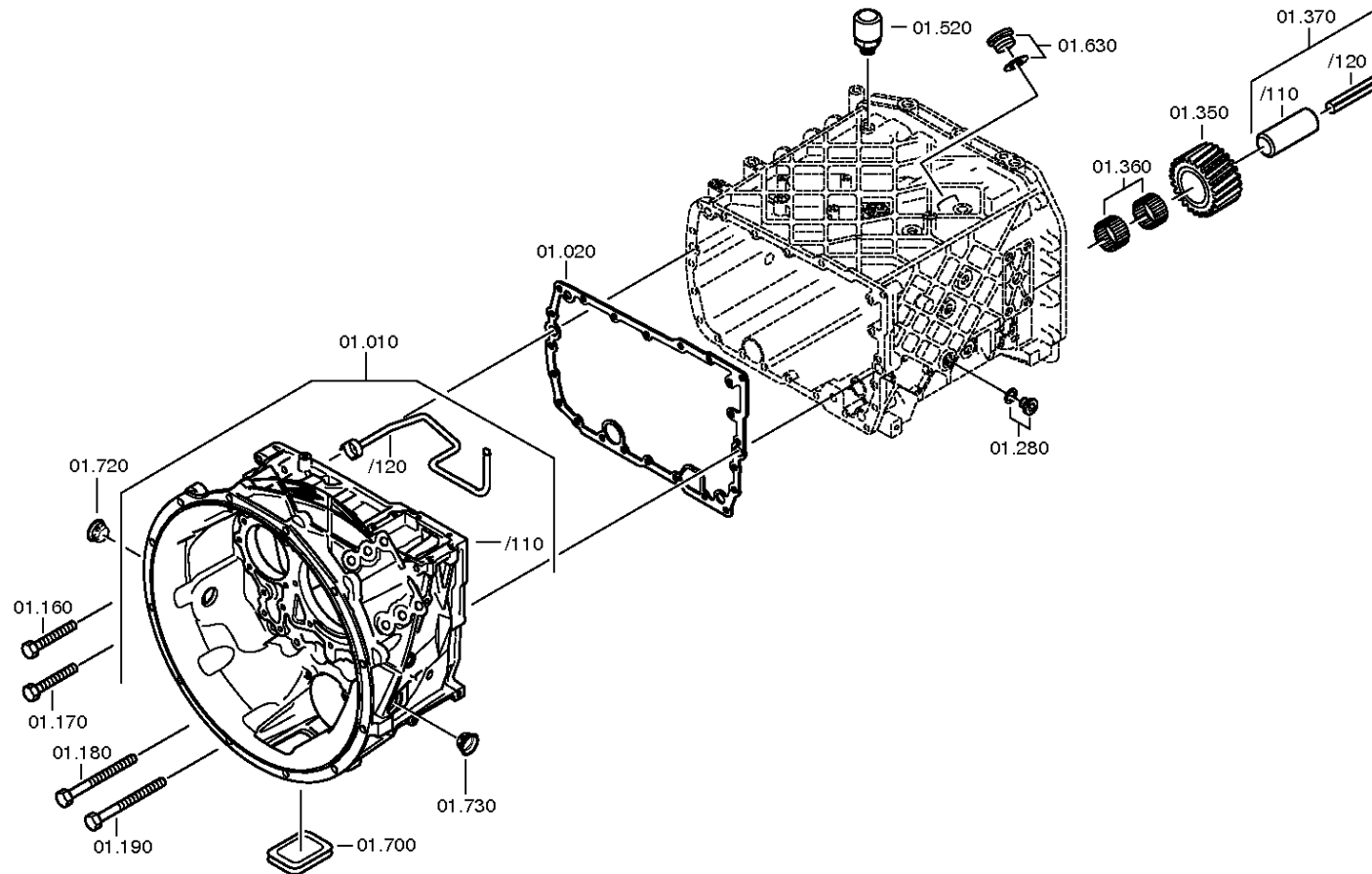
Material number: 1315.051.141

Plant: 068.01.51-1

TRANSMISSION HOUSING



16 S 151 /
TRANSMISSION HOUSING



Parts list

Page 1 from 2

Material number: 1315.051.141

Plant: 068.01.05-1

Material-assembly-group-no: 1315.101.070



16 S 151 /

Pos.	Material number	Customer material	Name	Quantity	ME	Amend. no.	Techn. Info.	Rep kit	Alternative material
10	1316.201.145		CLUTCH HOUSING	1			KPL.		
/110	1316.301.065		CLUTCH HOUSING	1			ENTHALT.IN 1316 301 060(0)		
/120	1315.201.097	ZF-1315 201 097	TUBE	1			KPL.		
20	1315.301.233	5 5367 0	GASKET	1		C01005348C10			
30	1315.201.178		HOUSING	1		C01002295A10	KPL.SG		
50	---		SCREW PLUG	1		Z00010176111	M24X1,5		
---	0736.300.160	4471982.1	SCREW PLUG	1		Z00010176110	M24X1,5 M24X1,5		
---	0730.008.637	1428103	SEALING RING	1		Z00010176110	24X29		
90	---		SCREW PLUG	1		Z00010164013	50N.M*DICHTRING M22X1,5		
---	0636.100.824		SCREW PLUG	1		Z00010164019	M22X1,5		
---	0730.009.515	0730009515	SEALING RING	1		Z00010164019	A22X27		
100	---		SCREW PLUG	1		Z00010164013	50N.M*DICHTRING M22X1,5		
---	0636.100.824		SCREW PLUG	1		Z00010164019	M22X1,5		
---	0730.009.515	0730009515	SEALING RING	1		Z00010164019	A22X27		
140	0731.201.563	1290941	CYLINDRICAL PIN	4					
160	0736.300.123	1880233	HEXAGON SCREW	14			M10X70 M10X70		
170	---		HEXAGON SCREW	1			M10X70		
---	0736.300.123	1880233	HEXAGON SCREW	1			M10X70 M10X70		
180	0736.300.119	1896749	HEXAGON SCREW	6		Z00009403410	M10X140 M10X140		
190	---		HEXAGON SCREW	1		Z00009403410	M10X140		
---	0736.300.119	1896749	HEXAGON SCREW	1		Z00009403412	M10X140 M10X140		
200	---		SCREW PLUG	1		Z00010112111	60N.M*DICHTRING M24X1,5		
---	0636.304.088	1882905	SCREW PLUG	1		Z00010112110	M24X1,5		
---	0730.008.637	1428103	SEALING RING	1		Z00010112110	24X29		
230	---		SCREW PLUG	1		Z00010112111	60N.M*DICHTRING M24X1,5		
---	0636.304.088	1882905	SCREW PLUG	1		Z00010112110	M24X1,5		
---	0730.008.637	1428103	SEALING RING	1		Z00010112110	24X29		
280	---		SCREW PLUG	1		Z00010112111	60N.M*DICHTRING M24X1,5		
---	0636.304.088	1882905	SCREW PLUG	1		Z00010112110	M24X1,5		
---	0730.008.637	1428103	SEALING RING	1		Z00010112110	24X29		
300	0501.318.802	5718 742 08	SCREEN INSERT	1		C01000946C10			
310	1315.201.111		SPRAY TUBE	1			KPL. IN 1315 201 112(0)		
340	0634.313.198	1000004936	O-RING	1			20X3		
350	1315.305.005	ZF-1315 305 005	REVERSE IDLER GEAR	1			Z20 IN 1315 305 006(1)		

Parts list

Page 2 from 2



16 S 151 /

Material number: 1315.051.141

Plant: 068.01.05-1

Material-assembly-group-no: 1315.101.070

Pos.	Material number	Customer material	Name	Quantity	ME	Amend. no.	Techn. Info.	Rep kit	Alternative material
360	0750.115.366	5 8107 0	NEEDLE CAGE	2			45,0X57,0X21,0		
370	1315.201.054		REVERSE IDLER SHAFT	1			KPL.16S151*SG*L= 79		
/120	0631.329.293		SLOTTED PIN	1			10X95		
420	1315.301.151		COVER	1					
430	0501.316.146	133-198-1940	GASKET	1		C01002166A10			
440	0636.100.432		HEXAGON SCREW	10		Z00007349511	M10X28		
500	---		TYPE PLATE	1			KONZERN		
---	0730.365.241		TYPE PLATE	1			EINHEITSSCH. VERDREHSICHER		
---	0730.365.259		TYPE PLATE	1			EINHEITSSCH.VERDREHSICHER BRASILIE		
---	0730.365.267		TYPE PLATE	1			CHINA		
---	0730.300.258		TYPE PLATE	1			EINHEITSSCH.VERDREHSICHER		
---	0730.365.271		TYPE PLATE	1			RUSSLAND/ KYRILLISCH		
---	0730.365.257		TYPE PLATE	1			S.S.CH IRAN		
---	0730.365.800		TYPE PLATE	1		Z00015972510			
---	0730.302.754		TYPE PLATE	1			AUSFUEHRUNG UNIVERSAL		
510	0731.300.027		BLIND RIVET	4		Z00007904810			
520	0501.218.540	1896008	BREATHER	1					
600	1313.306.013		LOCKING PIN	1					
620	0732.040.736	2150041300	COMPRESSION SPRING	1					
630	---		SCREW PLUG	1		Z00010164412	70N.M*DICHTRING M26X1,5		
---	0636.100.811		SCREW PLUG	1		Z00010164420	M26X1,5		
---	0634.801.249		SEALING RING	1		Z00010164420	26X31		
700	1315.301.230	1454283	PROTECTION CAP	1					
720	0501.321.840	1803936	PLUG	1					
730	0501.321.840	1803936	PLUG	1					

Plant

Page 1 from 3

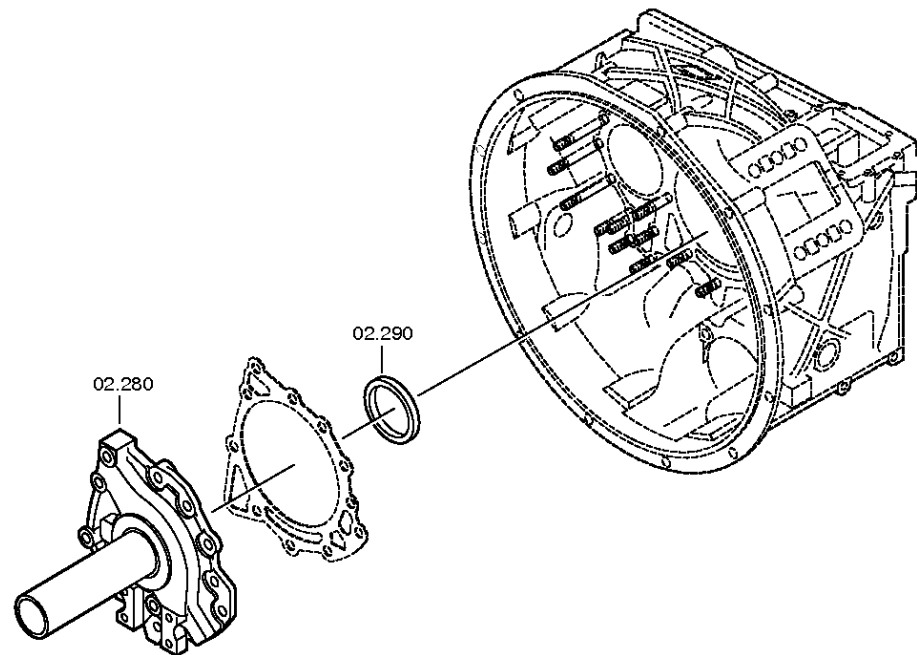
Material number: 1315.051.141

Plant: 068.02.54-1

CONNECTION PLATE



16 S 151 /
CONNECTION PLATE



Plant

Page 2 from 3

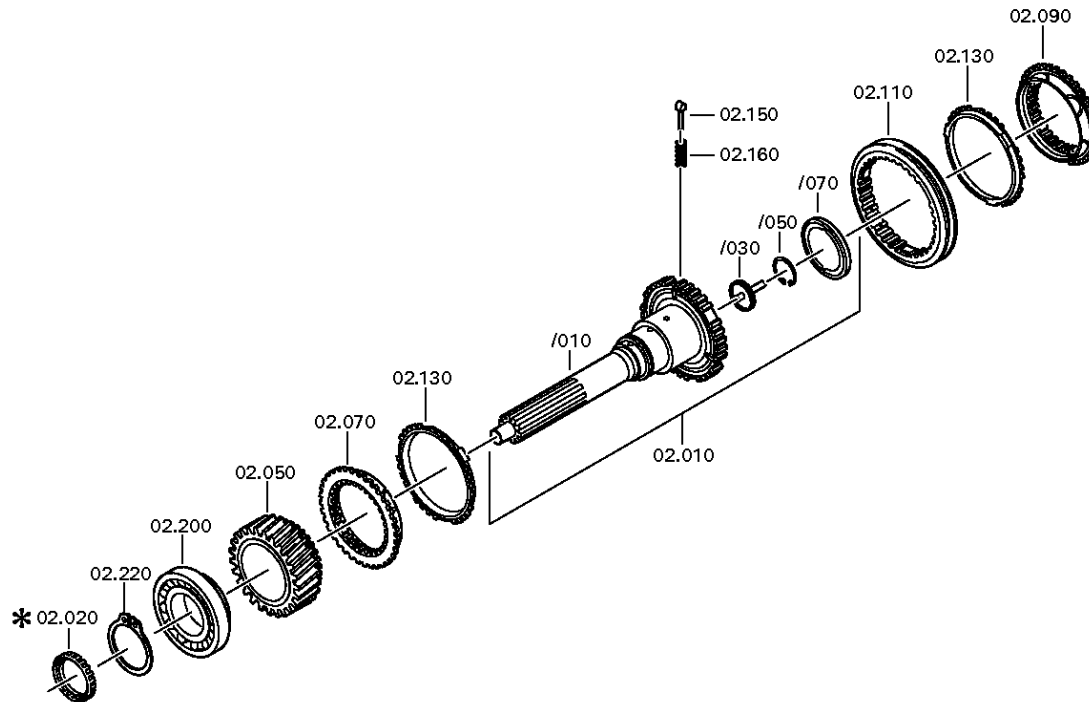
Material number: 1315.051.141

Plant: 068.02.02-1

CONNECTION PLATE



16 S 151 /
CONNECTION PLATE



Plant

Page 3 from 3

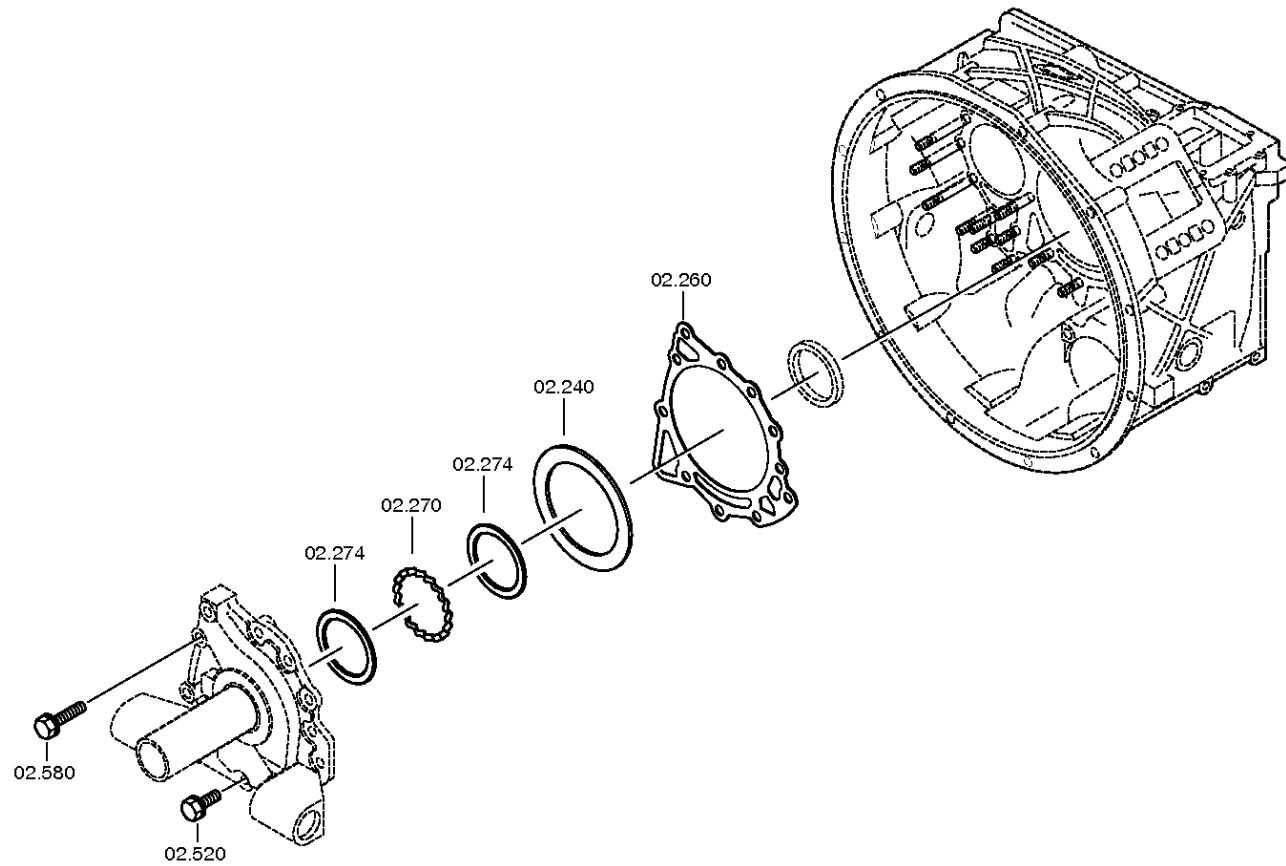
Material number: 1315.051.141

Plant: 068.02.82-1

CONNECTION PLATE



16 S 151 /
CONNECTION PLATE



Parts list

Page 1 from 2



16 S 151 /

Material number: 1315.051.141

Plant: 068.02.54-1

Material-assembly-group-no: 1315.102.429

Pos.	Material number	Customer material	Name	Quantity	ME	Amend. no.	Techn. Info.	Rep kit	Alternative material
10	1315.202.037	1373772	INPUT SHAFT	1			KPL.L109*GL100*ZAPF.25		
/10	1355.302.002		INPUT SHAFT	1		Z00011537210			
/30	1354.302.019		TUBE	1		Z00003830511			
/50	0630.502.027	100CP3461	RETAINING RING	1			50X2		
/70	0750.101.179	1896784	OIL DAM	1		Z00007187910	77,0X95,5X6,0		
50	1315.302.173	ZF-1315 302 173	HELICAL GEAR	1			ENTHALT.IN 1315 302 156(1)		
70	1312.304.027	81.32425-0092	CLUTCH BODY	1			ENTHALT.IN 1310 304 107(1)		
90	1312.304.027	81.32425-0092	CLUTCH BODY	1		C01004680D10	ENTHALT.IN 1310 304 107(1)		
110	1310.304.202	5 5321 0	SLIDING SLEEVE	1		C01005378A10			
130	1297.304.484	81.32420-0230	SYNCHRO.RING	2					
150	1297.304.436	0068332	PRESSURE PART	3					
160	0732.040.409	0171349	COMPRESSION SPRING	3		C01007317F10			
200	0750.117.732	5 8301 0	TAPERED ROLLER BEARING	1			85,0X150,0X30,5		
220	0730.501.598		RETAINING RING	1		C01007992110	85X4		
240	---		SHIM	1			H= 0,90- 2,40(ABSTUFUNG:0,05MM)		
---	2050.309.094		SHIM	1			A=2,2 IN 2050 309 090 C45E WW.F500 ZFN410		
---	0730.007.489		SHIM	1			A=2,15 IN 2050 309 090(2)		
---	0730.007.488		SHIM	1			A=2,10 IN 2050 309 090(2)		
---	0730.007.487		SHIM	1			A=2,05 IN 2050 309 090(2)		
---	0730.007.486		SHIM	1			A=2,00 IN 2050 309 090(2)		
---	0730.007.485		SHIM	1			A=1,95 IN 2050 309 090(2)		
---	0730.007.484	1833897	SHIM	1			A=1,90 IN 2050 309 090(2)		
---	0730.007.483		SHIM	1			A=1,85 IN 2050 309 090(2)		
---	0730.007.482		SHIM	1			A=1,80 IN 2050 309 090(2)		
---	0730.007.481		SHIM	1			A=1,75 IN 2050 309 090(2)		
---	0730.007.480	1833896	SHIM	1			A=1,70 IN 2050 309 090(2)		
---	0730.007.479		SHIM	1			A=1,65 IN 2050 309 090(2)		
---	0730.007.136	1290955	SHIM	1			A=1,60 IN 2050 309 090(2)		
---	0730.007.135		SHIM	1			A=1,55 IN 2050 309 090(2)		
---	0730.007.134		SHIM	1			A=1,50 IN 2050 309 090(2)		
---	0730.007.133		SHIM	1			A=1,45 IN 2050 309 090(2)		
---	0730.007.132		SHIM	1			A=1,40 IN 2050 309 090(2)		
---	0730.007.131		SHIM	1			A=1,35 IN 2050 309 090(2)		

Parts list

Page 2 from 2



16 S 151 /

Material number: 1315.051.141

Plant: 068.02.54-1

Material-assembly-group-no: 1315.102.429

Pos.	Material number	Customer material	Name	Quantity	ME	Amend. no.	Techn. Info.	Rep kit	Alternative material
---	0730.007.130		SHIM	1			A=1,30 IN 2050 309 090(2)		
---	0730.007.129		SHIM	1			A=1,25 IN 2050 309 090(2)		
---	2050.309.034		SHIM	1			A=1,2 IN 2050 309 090 C45E WW.F500 ZFN410		
---	0730.007.128		SHIM	1			A=1,15 IN 2050 309 090(2)		
---	0730.007.127		SHIM	1			A=1,10 IN 2050 309 090(2)		
---	0730.007.126		SHIM	1			A=1,05 IN 2050 309 090(2)		
---	2050.309.065		SHIM	1			A=1,0 IN 2050 309 090 C45E WW.F500 ZFN410		
---	0730.005.749		SHIM	1			A=0,95 IN 2050 309 090(2)		
---	0730.005.748	5 5258 0	SHIM	1			A=0,90 IN 2050 309 090(2)		
---	0730.301.503		SHIM	1			h=2,25		
---	0730.301.504		SHIM	1			h=2,30		
---	0730.301.505		SHIM	1			h=2,35		
---	0730.301.506		SHIM	1			h=2,40		
260	0501.314.587	5 6095 0	GASKET	1					
270	1315.302.040		SPACER RING	1					
274	0730.150.766		WASHER	2					
280	1315.302.136	5 5335 0	CONNECTION PLATE	1					
290	0734.310.387	5 8002 0	SHAFT SEAL	1		Z00023718610	55X75X8/9,2 FA.CFW		
520	0636.015.685		HEXAGON SCREW	8		Z00009177310	M10X35		
580	0636.102.270	0636 102 270 01	HEXAGON SCREW	3		Z00009177410	M10X60		

Plant

Page 1 from 2

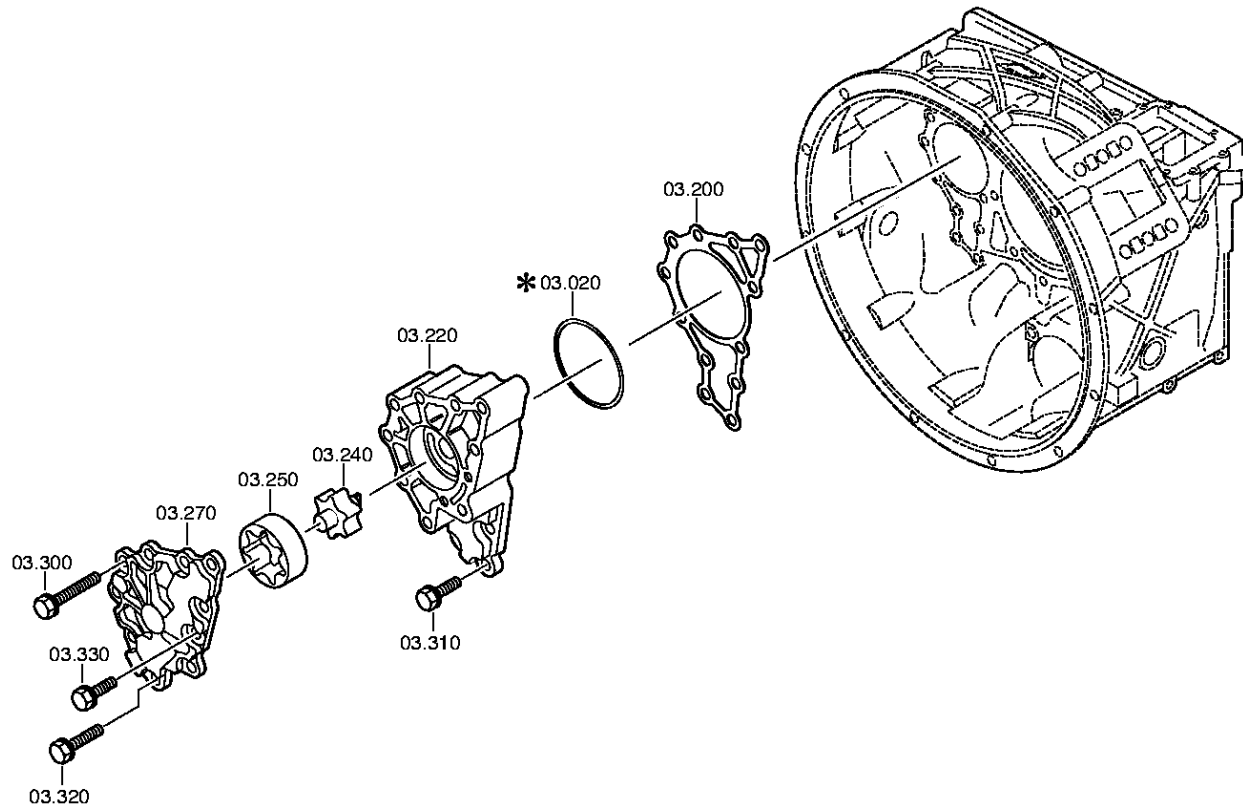
Material number: 1315.051.141

Plant: 068.03.80-1

COUNTERSHAFT



16 S 151 /
COUNTERSHAFT



Plant

Page 2 from 2

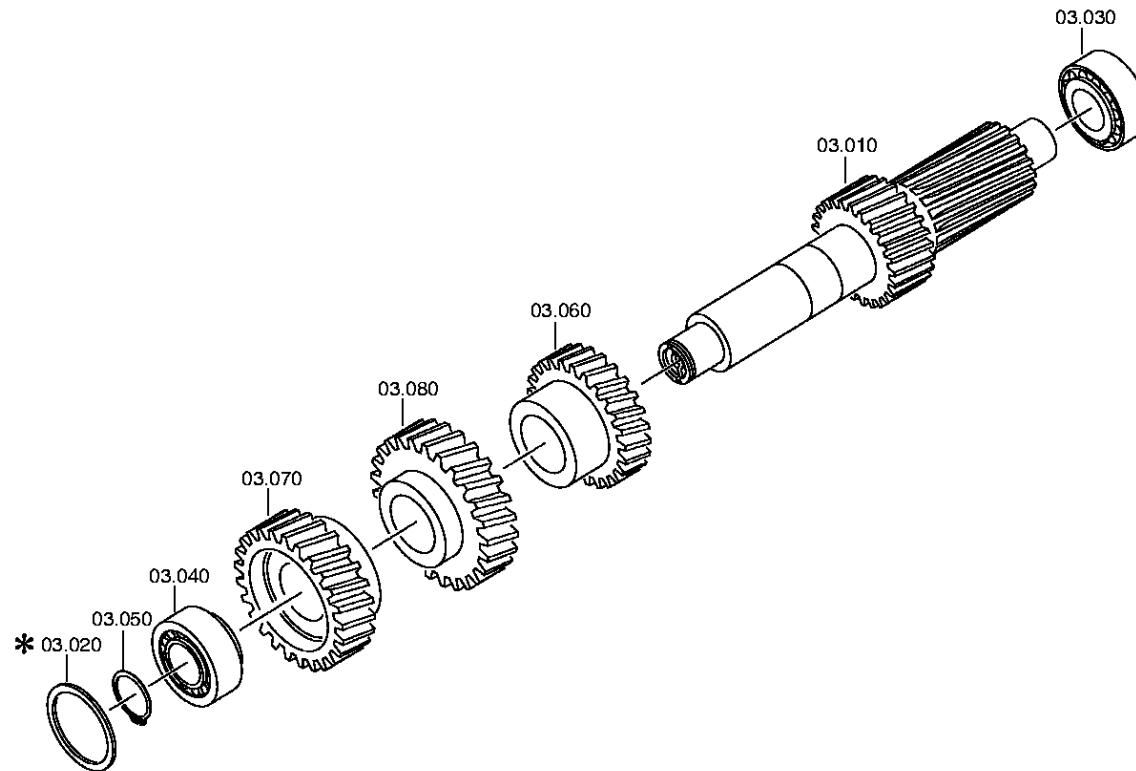
Material number: 1315.051.141

Plant: 068.03.01-1

COUNTERSHAFT



16 S 151 /
COUNTERSHAFT



Parts list

Page 1 from 2



16 S 151 /

Material number: 1315.051.141

Plant: 068.03.80-1

Material-assembly-group-no: 1316.103.803

Pos.	Material number	Customer material	Name	Quantity	ME	Amend. no.	Techn. Info.	Rep kit	Alternative material
10	1315.303.041		COUNTERSHAFT	1			ENTHALT.IN 1315 303 040(0)		
20	---		SHIM	1			H= 1,85- 3,25(ABSTUFUNG:0,05MM)		
---	0730.112.938		SHIM	1		C01007375C10	A=3,25		
---	0730.112.937		SHIM	1		C01007375C10	A=3,20		
---	0730.112.936		SHIM	1		C01007375C10	A=3,15		
---	0730.112.935		SHIM	1		C01007375C10	A=3,10		
---	0730.106.860	ZF-0730 106 860	SHIM	1		C01007375C10	A=3,05 IN 0730 106 904(2)		
---	0730.106.917	ZF-0730 106 917	SHIM	1			A=3,00 IN 0730 106 904(2)		
---	0730.106.916	1833921	SHIM	1			A=2,95 IN 0730 106 904(2)		
---	0730.106.915	1833920	SHIM	1			A=2,90 IN 0730 106 904(2)		
---	0730.106.914	1833919	SHIM	1			A=2,85 IN 0730 106 904(2)		
---	0730.106.913	1833918	SHIM	1			A=2,80 IN 0730 106 904(2)		
---	0730.106.912		SHIM	1			A=2,75 IN 0730 106 904(2)		
---	0730.106.911	1833917	SHIM	1			A=2,70 IN 0730 106 904(2)		
---	0730.106.910	1833916	SHIM	1			A=2,65 IN 0730 106 904(2)		
---	0730.106.909	1833915	SHIM	1			A=2,60 IN 0730 106 904(2)		
---	0730.106.908	1833914	SHIM	1			A=2,55 IN 0730 106 904(2)		
---	0730.100.799		SHIM	1			A=2,50 IN 0730 106 904(2)		
---	0730.100.800	1833898	SHIM	1			A=2,45 IN 0730 106 904(2)		
---	0730.100.801	ZF-0730 100 801	SHIM	1			A=2,40 IN 0730 106 904(2)		
---	0730.100.802	1833900	SHIM	1			A=2,35 IN 0730 106 904(2)		
---	0730.100.803	1833905	SHIM	1			A=2,30 IN 0730 106 904(2)		
---	0730.101.466	ZF-0730 101 466	SHIM	1			A=2,25 IN 0730 106 904(2)		
---	0730.101.467	1833906	SHIM	1			A=2,20 IN 0730 106 904(2)		
---	0730.101.468	1833907	SHIM	1			A=2,15 IN 0730 106 904(2)		
---	0730.101.469	1833909	SHIM	1			A=2,10 IN 0730 106 904(2)		
---	0730.101.470	1833910	SHIM	1			A=2,05 IN 0730 106 904(2)		
---	0730.101.471		SHIM	1			A=2,00 IN 0730 106 904(2)		
---	0730.106.907	1833912	SHIM	1			A=1,95 IN 0730 106 904(2)		
---	0730.106.906	1833911	SHIM	1			A=1,90 IN 0730 106 904(2)		
---	0730.106.905		SHIM	1			A=1,85 IN 0730 106 904(2)		
30	0750.117.011	8 8100 0	TAPERED ROLLER BEARING	1			50,8X104,7X39,6		
40	0750.117.009	8 8449 0	TAPERED ROLLER BEARING	1			49,213X103,188X44,475		
50	---		RETAINING RING	1		C01002877A10	H= 2,40- 3,00(ABSTUFUNG:0,05MM)		

Parts list

Page 2 from 2



16 S 151 /

Material number: 1315.051.141

Plant: 068.03.80-1

Material-assembly-group-no: 1316.103.803

Pos.	Material number	Customer material	Name	Quantity	ME	Amend. no.	Techn. Info.	Rep kit	Alternative material
---	0630.531.065	8603574	RETAINING RING	1			50X3		
---	0630.501.111		RETAINING RING	1			50X2,95		
---	0630.501.112	0002640551	RETAINING RING	1			50X2,9		
---	0630.501.113		RETAINING RING	1			50X2,85		
---	0630.501.114	0002641451	RETAINING RING	1			50X2,8		
---	0630.501.115		RETAINING RING	1			50X2,75		
---	0630.501.116	0002641351	RETAINING RING	1			50X2,7		
---	0630.501.117	0140310	RETAINING RING	1			50X2,65		
---	0630.501.118	0002641251	RETAINING RING	1			50X2,6		
---	0630.501.160		RETAINING RING	1			50X2,55		
---	0630.531.064	1663657	RETAINING RING	1			50X2,5		
---	0630.501.159		RETAINING RING	1			50X2,45		
---	0630.501.148	0002641051	RETAINING RING	1			50X2,4		
60	1315.303.010		HELICAL GEAR	1			3G/Z28 IN 1315 303 014(1)		
70	1315.303.052	ZF-1315 303 052	HELICAL GEAR	1			KON/Z37 IN 1315 303 016(1)		
80	1315.303.046	ZF-1315 303 046	HELICAL GEAR	1			ENTHALT.IN 1315 303 045(2)		
200	1315.303.060	H0491909	GASKET	1		C01005349C10			
220	---		PUMP HOUSING	1			GD*GSLs		
---	1315.302.121	5 5355 0	PUMP HOUSING	1					
---	1315.302.117		PUMP HOUSING	1					
240	1314.202.039	5 5842 0	PUMP SHAFT	1			KPL.		
250	1315.303.027	5 5857 0	ROTOR	1					
270	---		PUMP COVER	1			GD*GSLs		
---	1315.302.120	5 5855 0	PUMP COVER	1					
---	1315.302.116		PUMP COVER	1					
300	0636.015.684		HEXAGON SCREW	8		Z00009177510	M10X85		
310	0636.015.685		HEXAGON SCREW	3		Z00009177310	M10X35		
320	0636.102.270	0636 102 270 01	HEXAGON SCREW	1		Z00009177410	M10X60		
330	0636.015.685		HEXAGON SCREW	2		Z00009177310	M10X35		

Plant

Page 1 from 1

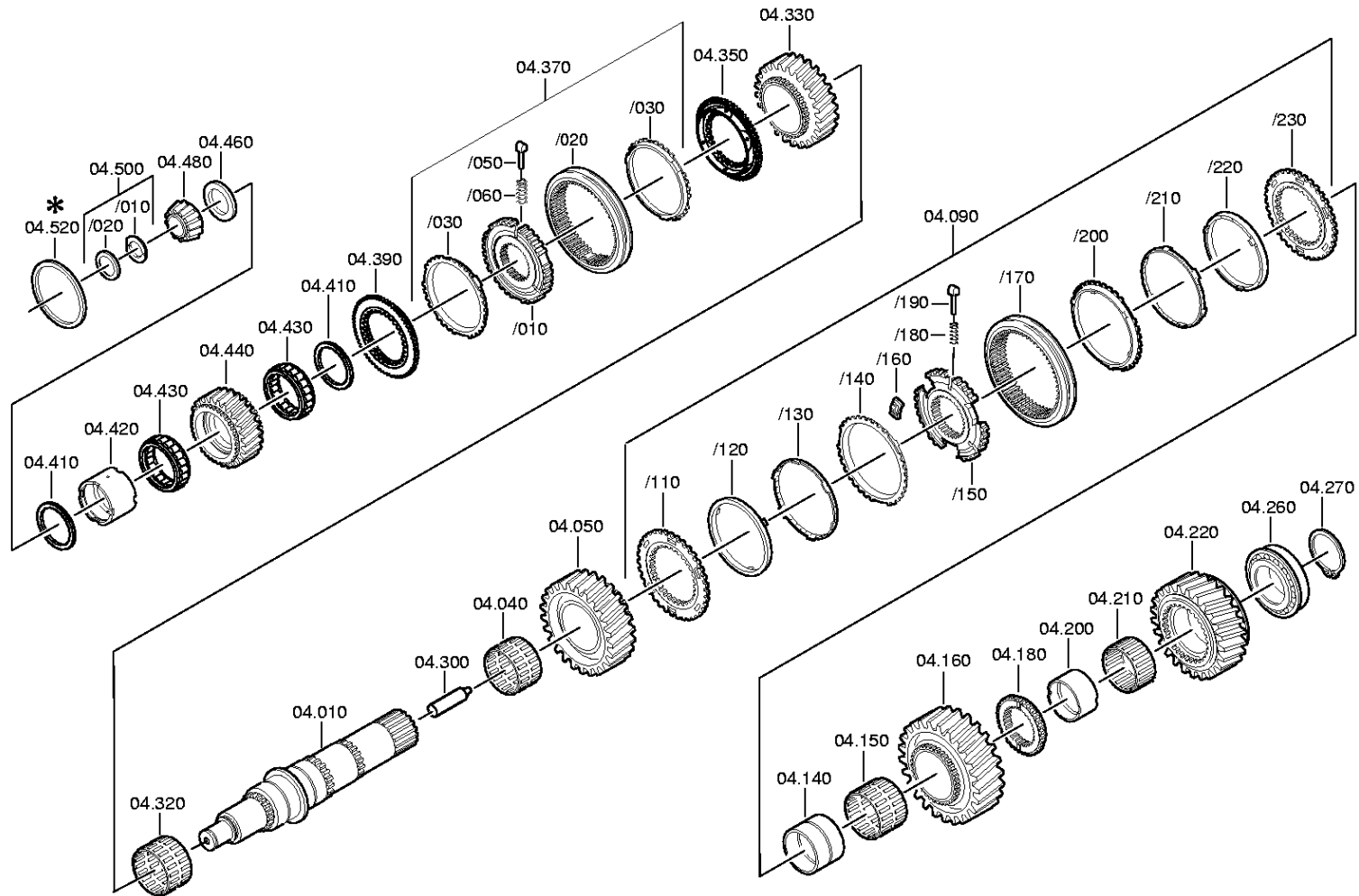
Material number: 1315.051.141

Plant: 068.04.10-1

Material-assembly-group-no: 1315.104.020



16 S 151 /
MAIN SHAFT



Parts list

Page 1 from 3



16 S 151 /

Material number: 1315.051.141

Plant: 068.04.10-1

Material-assembly-group-no: 1315.104.020

Pos.	Material number	Customer material	Name	Quantity	ME	Amend. no.	Techn. Info.	Rep kit	Alternative material
10	1315.304.130		MAIN SHAFT	1					
40	0750.115.584		NEEDLE CAGE	1		Z00011437411	WTB 92,0X100,0X52,8		
50	1315.304.026		HELICAL GEAR	1			2G/Z37 IN 1315 304 033(1)		
90	1315.204.006		SYNCHRONIZER	1			KPL.1+2G*DK		
/110	1312.304.106	5 5328 0	CLUTCH DISC	1					
/120	1268.304.424	5 5280 0	INNER RING	1					
/130	1268.304.494	820-400-2510	INTERMEDIATE RING	1			ENTHALT.IN 6002 306 153(0)		
/140	1268.304.525	5 5288 0	OUTER RING	1			ENTHALT.IN 1310 304 095(1)		
/150	1312.304.158	1250147	SYNCHRO.BODY	1			ZF-D171/164		
/160	1312.304.159	1300312	COUPLING ELEMENT	3		C01006893A10			
/170	1310.304.175	5 5320 0	SLIDING SLEEVE	1		C01007317F10			
/180	0732.040.409	0171349	COMPRESSION SPRING	3					
/190	1297.304.436	0068332	PRESSURE PART	3					
/200	1268.304.525	5 5288 0	OUTER RING	1			ENTHALT.IN 1310 304 095(1)		
/210	1268.304.494	820-400-2510	INTERMEDIATE RING	1			ENTHALT.IN 6002 306 153(0)		
/220	1268.304.424	5 5280 0	INNER RING	1					
/230	1312.304.106	5 5328 0	CLUTCH DISC	1					
140	1313.304.038	0069573	BUSH	1			ENTHALT.IN 1312 304 007(2)		
150	0750.115.325	8 8106 0	NEEDLE CAGE	1			96,0X104,0X55,0		
160	1315.304.014		HELICAL GEAR	1			1G/Z44 IN 1315 304 020(1)		
180	1315.304.018	1290970	CLUTCH BODY	1			RG		
200	1315.304.132	1381158	BUSH	1			A=41,00		
210	0750.115.324	5 8105 0	NEEDLE CAGE	1			90,0X98,0X41,0		
220	---		HELICAL GEAR	1					
---	1315.304.013		HELICAL GEAR	1			RG/Z42 IN 1315 304 019(0)		
---	1315.304.383		HELICAL GEAR	1					
260	0750.117.677	8 8346 0	TAPERED ROLLER BEARING	1			80,0X130,0X36,0		
270	---		RETAINING RING	1			H= 3,00- 3,65(ABSTUFUNG:0,05MM)		
---	0630.501.316	820-400-2580	RETAINING RING	1			80X3,5		
---	0630.501.336	H0109516	RETAINING RING	1			80X3,45		
---	0630.501.315	820-400-2582	RETAINING RING	1			80X3,4		
---	0630.501.335	H0109514	RETAINING RING	1			80X3,35		
---	0630.501.314	820-400-2584	RETAINING RING	1			80X3,3		
---	0630.501.334	820-400-2585	RETAINING RING	1			80X3,25		

Parts list

Page 2 from 3



16 S 151 /

Material number: 1315.051.141

Plant: 068.04.10-1

Material-assembly-group-no: 1315.104.020

Pos.	Material number	Customer material	Name	Quantity	ME	Amend. no.	Techn. Info.	Rep kit	Alternative material
---	0630.501.313	820-400-2586	RETAINING RING	1			80X3,2		
---	0630.501.333	820-400-2587	RETAINING RING	1			80X3,15		
---	0630.501.312	820-400-2588	RETAINING RING	1			80X3,1		
---	0630.501.337	820-400-2589	RETAINING RING	1			80X3,55		
---	0630.501.338	820-400-2590	RETAINING RING	1			80X3,6		
---	0630.501.339	820-400-2591	RETAINING RING	1			80X3,65		
300	1312.304.150	5 5177 0	TUBE	1					
320	0750.115.584		NEEDLE CAGE	1		Z00011437411	WTB 92,0X100,0X52,8		
330	1315.304.028	ZF-1315 304 028	HELICAL GEAR	1			3G/Z32 IN 1315 304 034(1)		
350	1316.304.190	1831990	CLUTCH BODY	1		Z00006981311	ZF-BK 144 O		
370	1356.204.006		SYNCHRONIZER	1		Z00006981311	KPL.3+4G*BK144 MOLYBDAEN* ANSCHL.INTEGR VERST*ECOSPLIT 3+4		
/10	1356.304.019	1833885	SYNCHRO.BODY	1		Z00006981313			
/20	1356.304.023	1833891	SLIDING SLEEVE	1		Z00006981313	ZF-BK 144		
/30	1316.304.189	1832004	SYNCHRO.RING	2		Z00006981313	ZF-BK 144		
/50	1297.304.436	0068332	PRESSURE PART	3		Z00006981313			
/60	0732.040.409	0171349	COMPRESSION SPRING	3		Z00006981313			
390	1316.304.190	1831990	CLUTCH BODY	1		Z00006981311	ZF-BK 144 O		
410	0750.101.158		THRUST WASHER	2					
420	0750.119.125	5 8911 0	INNER RING	1			67,0X77,0X54,1		
430	0750.115.534	5 8909 0	ROLLER CAGE	2			77,0X101,0X29,0		
440	1315.304.017	ZF-1315 304 017	HELICAL GEAR	1			4G/Z30 IN 1315 304 023(1)		
460	---		AXIAL WASHER	1			H= 7,30- 8,00(ABSTUFUNG:0,10MM)		
---	1315.304.048	5 5877 0	AXIAL WASHER	1			A=8,00 IN 1315 304 042(2)		
---	1315.304.047	5 5859 0	AXIAL WASHER	1			A=7,90 IN 1315 304 042(2)		
---	1315.304.046	ZF-1315 304 046	AXIAL WASHER	1			A=7,80 IN 1315 304 042(2)		
---	1315.304.045	5 5858 0	AXIAL WASHER	1			A=7,70 IN 1315 304 042(2)		
---	1315.304.044	ZF-1315 304 044	AXIAL WASHER	1			A=7,60 IN 1315 304 042(2)		
---	1315.304.043	ZF-1315 304 043	AXIAL WASHER	1			A=7,50 IN 1315 304 042(2)		
---	1315.304.085	ZF-1315 304 085	AXIAL WASHER	1			A=7,40 IN 1315 304 042(2)		
---	1315.304.086	1833949	AXIAL WASHER	1			A=7,30 IN 1315 304 042(2)		
480	0750.117.232	81.93501.0080	TAPERED ROLLER BEARING	1			42,0X40,3		
500	1312.204.040		SPLIT RING	1			GESTANZT		

Parts list

Page 3 from 3



16 S 151 /

Material number: 1315.051.141

Plant: 068.04.10-1

Material-assembly-group-no: 1315.104.020

Pos.	Material number	Customer material	Name	Quantity	ME	Amend. no.	Techn. Info.	Rep kit	Alternative material
/10	---		SPLIT RING	2			H= 4,60- 5,00(ABSTUFUNG:0,10MM)		
---	0730.107.023	820-400-2660	SPLIT RING	2			A=5,00 IN 0730 106 207(2)		
---	0730.107.022	820-400-2661	SPLIT RING	2			A=4,90 IN 0730 106 207(2)		
---	0730.107.021	820-400-2662	SPLIT RING	2			A=4,80 IN 0730 106 207(2)		
---	0730.107.020	820-400-2663	SPLIT RING	2			A=4,70 IN 0730 106 207(2)		
---	0730.107.019	820-400-2664	SPLIT RING	2			A=4,60 IN 0730 106 207(2)		
/20	0730.062.781	H0224840	RETAINING RING	1			ENTHALT.IN 0730 062 636(2)		

Plant

Page 1 from 3

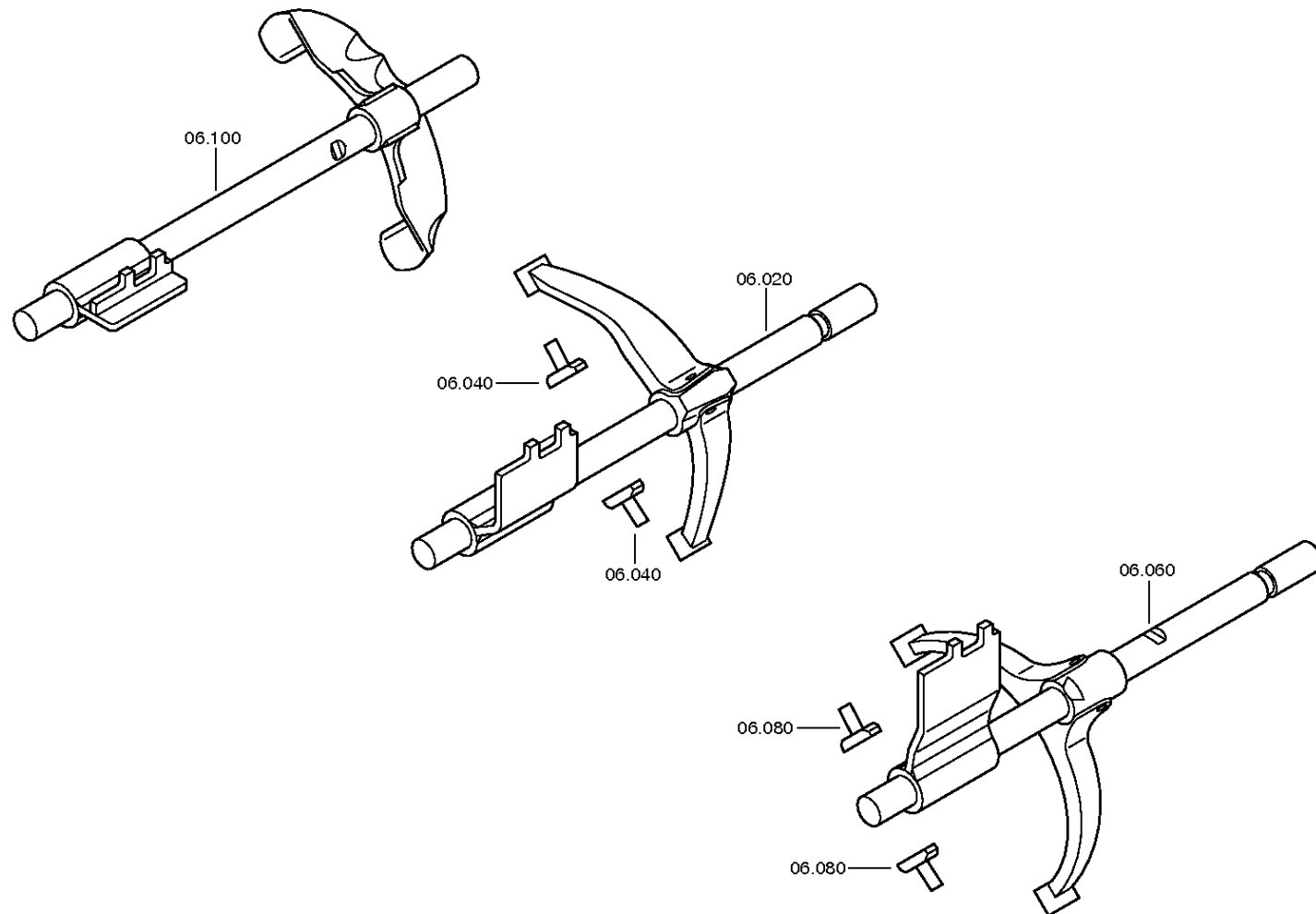
Material number: 1315.051.141

Plant: 068.06.01-1

SHIFT SYSTEM



16 S 151 /
SHIFT SYSTEM



Plant

Page 2 from 3

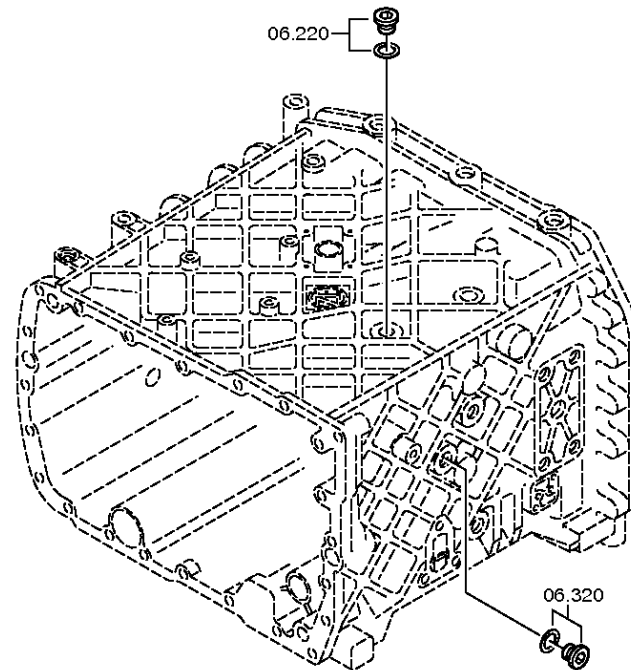
Material number: 1315.051.141

Plant: 068.06.43-1

SHIFT SYSTEM



16 S 151 /
SHIFT SYSTEM



Plant

Page 3 from 3

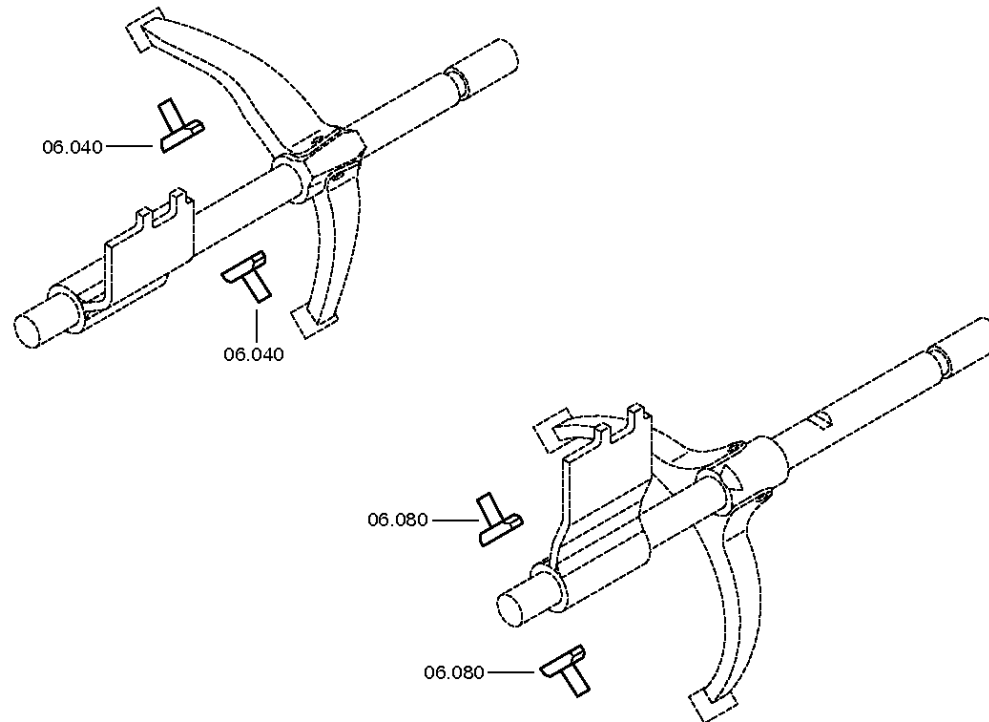
Material number: 1315.051.141

Plant: 068.06.80-1

SHIFT SYSTEM



16 S 151 /
SHIFT SYSTEM



Parts list

Page 1 from 1



16 S 151 /

Material number: 1315.051.141

Plant: 068.06.01-1

Material-assembly-group-no: 1315.106.008

Pos.	Material number	Customer material	Name	Quantity	ME	Amend. no.	Techn. Info.	Rep kit	Alternative material
20	1315.206.076	1827194	GEAR SHIFT RAIL	1			1+2GANG*KURZ*WI		
40	1316.306.015	5 5342 0	SLIDING PAD	2					
60	1315.206.079	1823163	GEAR SHIFT RAIL	1			3+4GANG*KURZ*WI		
80	1316.306.015	5 5342 0	SLIDING PAD	2					
100	1315.206.083	1823061	GEAR SHIFT RAIL	1			R-GANG*KURZ*WI		
220	---		SCREW PLUG	1		Z00010111513	35N.M*DICHTRING M18X1,5		
---	0636.100.791		SCREW PLUG	1		Z00010111521	M18X1,5		
---	0634.801.062	1804055	SEALING RING	1		Z00010111521	18X24		
320	---		SCREW PLUG	1		Z00010111513	35N.M*DICHTRING M18X1,5		
---	0636.100.791		SCREW PLUG	1		Z00010111521	M18X1,5		
---	0634.801.062	1804055	SEALING RING	1		Z00010111521	18X24		

Plant

Page 1 from 3

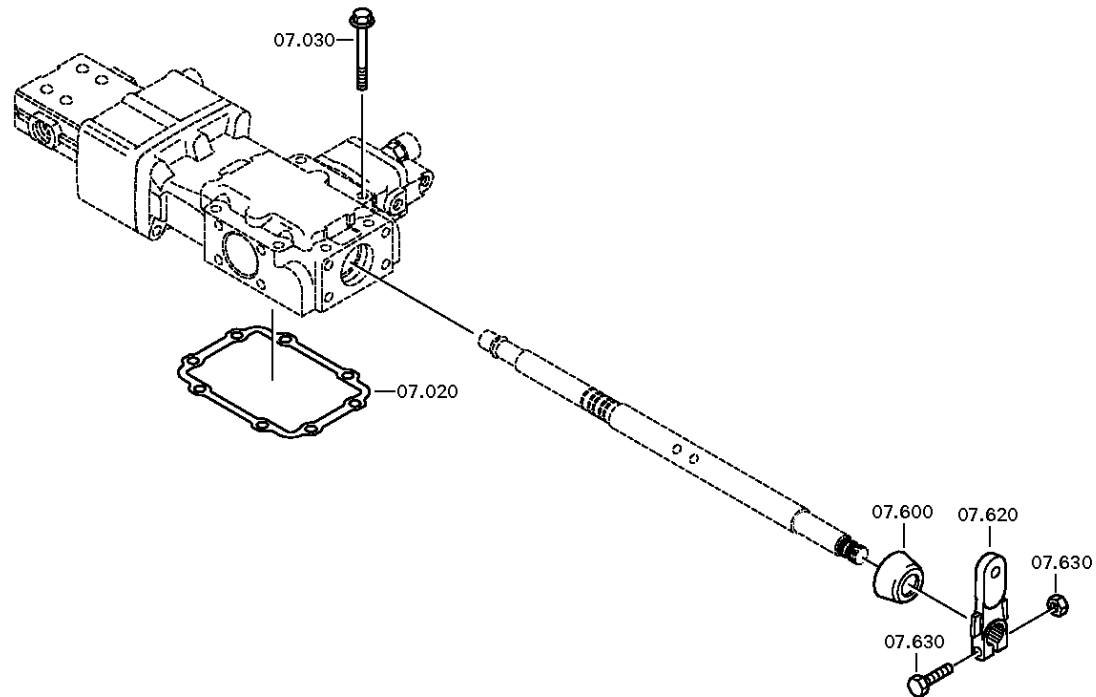
Material number: 1315.051.141

Plant: 068.07.71-1

GEAR SHIFT HOUSING



16 S 151 /
GEAR SHIFT HOUSING



Plant

Page 2 from 3

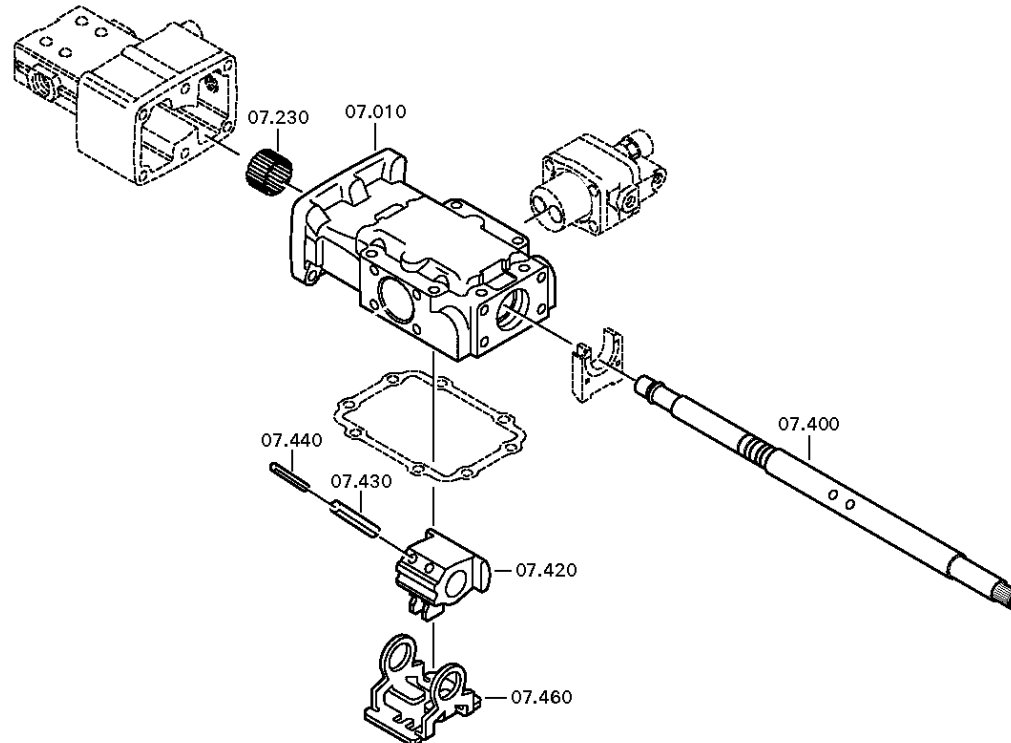
Material number: 1315.051.141

Plant: 068.07.12-1

GEAR SHIFT HOUSING



16 S 151 /
GEAR SHIFT HOUSING



Plant

Page 3 from 3

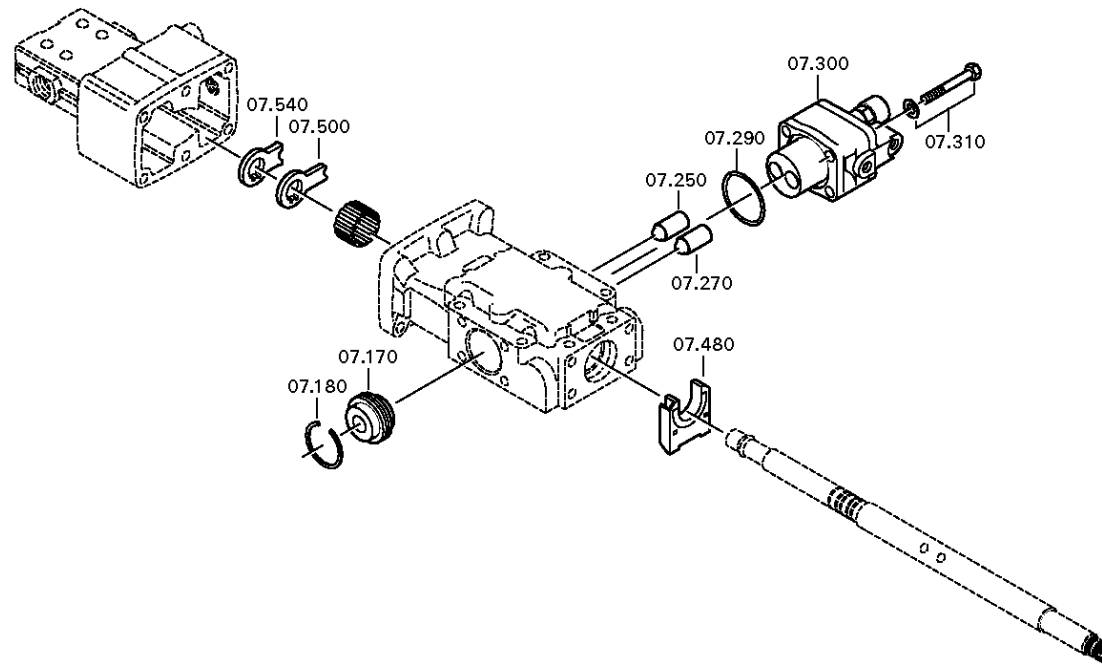
Material number: 1315.051.141

Plant: 068.07.16-1

GEAR SHIFT HOUSING



16 S 151 /
GEAR SHIFT HOUSING



Parts list

Page 1 from 1



16 S 151 /

Material number: 1315.051.141

Plant: 068.07.71-1

Material-assembly-group-no: 1315.107.841

Pos.	Material number	Customer material	Name	Quantity	ME	Amend. no.	Techn. Info.	Rep kit	Alternative material
10	1315.307.123		GEAR SHIFT HOUSING	1			ENTHALT.IN 1315 307 122(0)		
20	1315.307.013	133-138-1020	GASKET	1					
30	0736.300.136		HEXAGON SCREW	8		Z00009195210	M8X75 M8X75		
170	0501.209.212	5 5247 0	DETENT	1			KPL.		
180	0630.532.130	0630532130	V-RING	1					
230	0635.303.053		NEEDLE SLEEVE	1			25X32X20		
250	0501.209.188	5 6102 0	BALL CASTER	1			KPL.		
270	0501.209.188	5 6102 0	BALL CASTER	1			KPL.		
290	0634.313.505	1295216	O-RING	1			42X3		
300	6038.202.043	5 6065 0	CUT-OFF VALVE	1		C01002144C10	KPL.H-H*ZULUFTDROSSEL 1,55		
310	---		HEXAGON SCREW	4		Z00007054112	M8X65		
---	0636.100.519		HEXAGON SCREW	4		Z00007054110	M8X65		
---	0630.100.295		WASHER	4		Z00007158414			
400	1315.307.158		GEARSHIFT SHAFT	1			ENTHALT.IN 1315 307 157(1)		
420	---		DRIVER	1			W I		
---	1315.307.092		DRIVER	1					
430	0631.329.101	0631329101	SLOTTED PIN	2			10X45		
440	0631.329.073	0631329073	SLOTTED PIN	2			6X45		
460	1315.307.308	1351617	LOCKING PIECE	1					
500	1315.307.304	1353839	DETENT SHEET	1					
540	1315.307.120		DETENT	1					
600	---		PROTECTION CAP	1		Z00009174510			
---	1324.307.269		PROTECTION CAP	1		Z00009174510			
---	1324.307.268	1897381	PROTECTION CAP	1		Z00009174312			
620	1295.307.582		SHIFT LEVER	1			U263		
630	---		BOLT+NUT	1		Z00007891713	M10X40		
---	0636.100.789	REPLACEMENT FOR 0636.015.469	HEXAGON SCREW	1		Z00007891711	M10X40		
---	0637.100.419		HEXAGON NUT	1		Z00007892710	M10		
670	---		SCREW	1		Z00010146310	M22X1,5		
---	1315.307.736		SCREW	1		Z00010146312	M22X1,5		
---	0730.009.515	0730009515	SEALING RING	1		Z00010146312	A22X27		
680	1315.307.190		BOLT	1			ENTHALT.IN 1250 307 589(2)		
700	0732.042.207		COMPRESSION SPRING	1					

Plant

Page 1 from 2

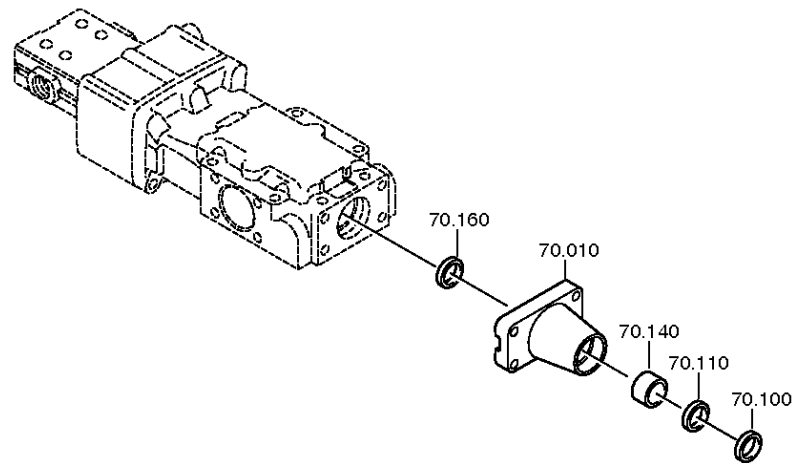
Material number: 1315.051.141

Plant: 068.08.17-1

SHIFT TURRET



16 S 151 /
SHIFT TURRET



Plant

Page 2 from 2

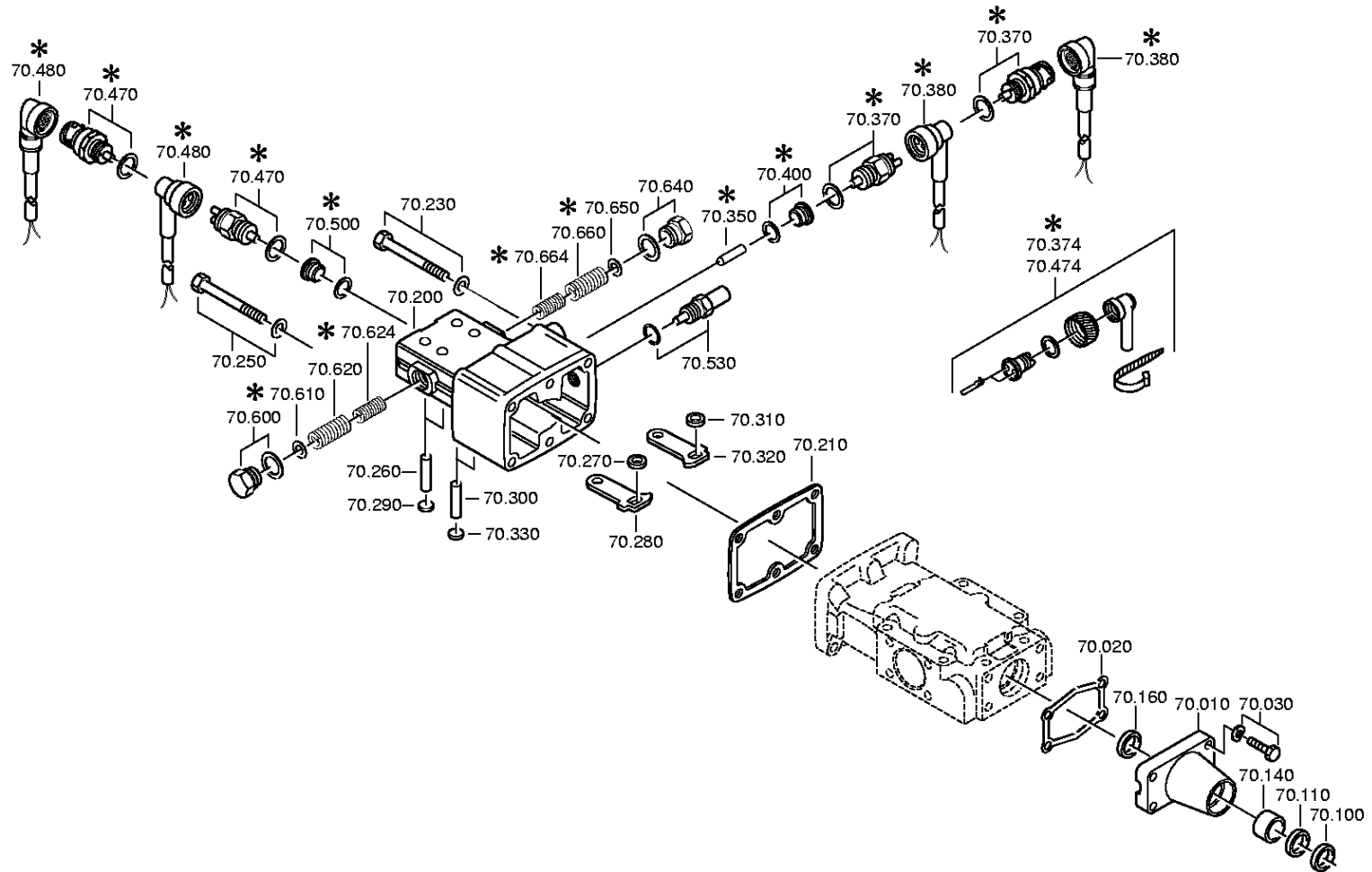
Material number: 1315.051.141

Plant: 068.08.06-1

SHIFT TURRET



16 S 151 /
SHIFT TURRET



Parts list

Page 1 from 2



16 S 151 /

Material number: 1315.051.141

Plant: 068.08.17-1

Material-assembly-group-no: 1316.170.001

Pos.	Material number	Customer material	Name	Quantity	ME	Amend. no.	Techn. Info.	Rep kit	Alternative material
10	1304.307.425	100CP4633	GEAR SHIFT COVER	1					
20	0501.318.308	1395308	GASKET	1					
30	---		HEXAGON SCREW	4		Z00007891312	M8X30		
---	0636.100.797		HEXAGON SCREW	4		Z00007891310	M8X30		
---	0630.100.295		WASHER	4		Z00007158414			
100	0634.307.367		SCRAPER	1					
110	---		SHAFT SEAL	1		C01008933B10	25X35X7		
---	0734.300.196	0734300196	SHAFT SEAL	1			25X35X7 FA.CFW		
140	0730.260.330	3120-12-177-0347	BEARING BUSH	1			A=20,00 IN 0730 260 546(2)		
160	0634.300.020	5330-12-183-7877	SHAFT SEAL	1			25X32X5		
200	1315.307.140		HOUSING	1			GASSEN-SPERRE		
210	1315.307.012	1290993	GASKET	1					
230	---		HEXAGON SCREW	3		Z00007069014	M8X85		
---	0636.011.764		HEXAGON SCREW	3		Z00007069013	M8X85		
---	0630.100.295		WASHER	3		Z00007158414			
250	---		HEXAGON SCREW	3		Z00007069014	M8X85		
---	0636.011.764		HEXAGON SCREW	3		Z00007069013	M8X85		
---	0630.100.295		WASHER	3		Z00007158414			
260	0631.306.226		CYLINDRICAL PIN	2			6X32		
270	0730.006.347	S301607	RING	1			A=6,00		
280	1304.307.019		DETENT LEVER	1					
290	---		SEALING CAP	2			14		
---	0630.361.032		SEALING CAP	2					
300	0631.306.226		CYLINDRICAL PIN	2			6X32		
310	0730.006.347	S301607	RING	1			A=6,00		
320	1304.307.019		DETENT LEVER	1					
330	---		SEALING CAP	2			14		
---	0630.361.032		SEALING CAP	2					
350	0731.208.230	ZF-0731 208 230	PIN	1			A=30,0		
370	---		SWITCH	1		Z00004287211	OEFF*M27*45N.M*DICHTRING* SCHUTZKAPPE		
---	0501.219.858	1953644	SWITCH	1		Z00020174910	OEFFNER RUNDSTECKER		
---	0634.801.062	1804055	SEALING RING	1		Z00004287210	18X24		
---	0700.300.427		PROTECTION CAP	1		Z00004287210			

Parts list

Page 2 from 2



16 S 151 /

Material number: 1315.051.141

Plant: 068.08.17-1

Material-assembly-group-no: 1316.170.001

Pos.	Material number	Customer material	Name	Quantity	ME	Amend. no.	Techn. Info.	Rep kit	Alternative material
470	---		SWITCH	1		Z00025492711	SCHL*M27*45N.M*DICHTRING*		
	0501.331.663		SWITCH	1		Z00025492716	SCHUTZKAPPE		
	0634.801.062	1804055	SEALING RING	1		Z00025492716	SCHLIESSER		
	0700.300.427		PROTECTION CAP	1		Z00025492716	18X24		
530	---		DETENT PLUNGER	1			87N*50N.M*HGS*WL		
	1324.207.005		DETENT PLUNGER	1			KPL. *87 N		
	0630.000.072	1000000168	SHIM RING	1			16X22X1		
600	---		SCREW	1		Z00010146310	M22X1,5		
	1315.307.736		SCREW	1		Z00010146312	M22X1,5		
	0730.009.515	0730009515	SEALING RING	1		Z00010146312	A22X27		
620	0732.040.985	5 5874 0	COMPRESSION SPRING	1					
640	---		SCREW	1		Z00010146310	M22X1,5		
	1315.307.736		SCREW	1		Z00010146312	M22X1,5		
	0730.009.515	0730009515	SEALING RING	1		Z00010146312	A22X27		
660	0732.040.985	5 5874 0	COMPRESSION SPRING	1					

Plant

Page 1 from 1

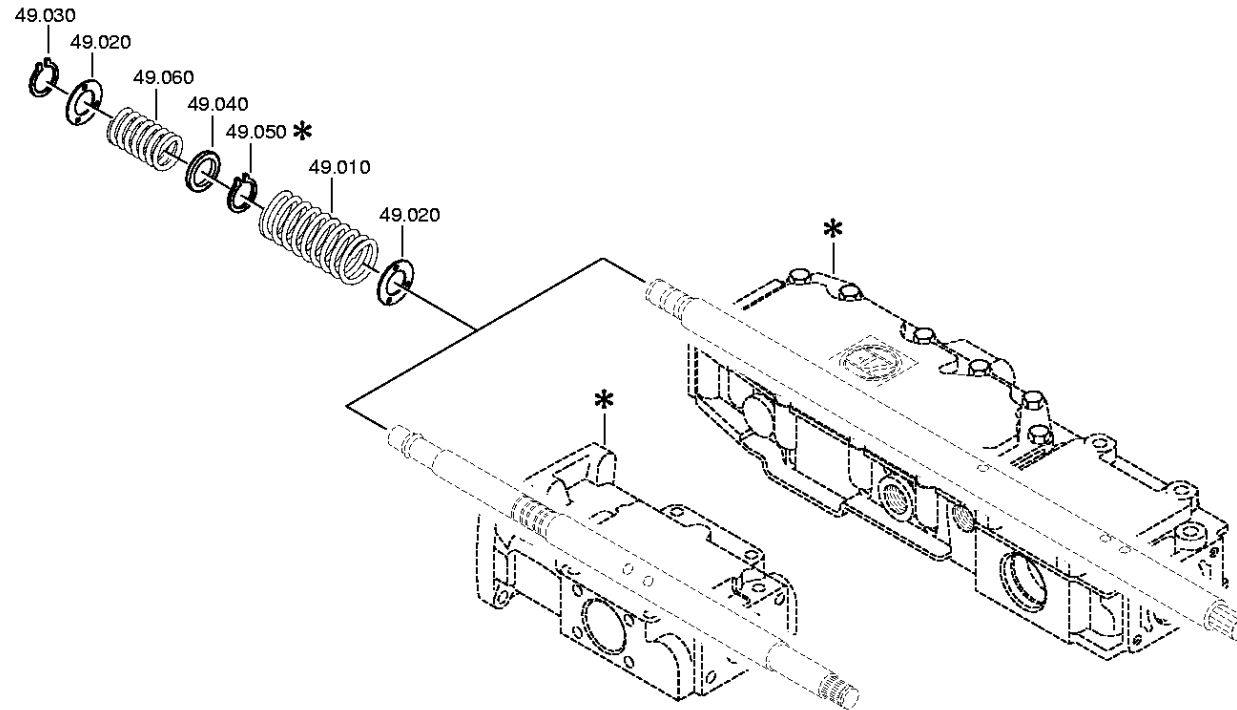
Material number: 1315.051.141

Plant: 068.12.02-1

Material-assembly-group-no: 1316.149.002



16 S 151 /
SET OF SPRINGS



Parts list

Page 1 from 1



16 S 151 /

Material number: 1315.051.141

Plant: 068.12.02-1

Material-assembly-group-no: 1316.149.002

Pos.	Material number	Customer material	Name	Quantity	ME	Amend. no.	Techn. Info.	Rep kit	Alternative material
10	0732.040.237	5360-12-159-8049	COMPRESSION SPRING	1					
20	0730.301.376	1884285	WASHER	2		Z00008917410			
30	0630.532.138	5004143	V-RING	1					
40	0730.301.374		WASHER	1		Z00008917310	A=2,00 A=2,00		
50	0630.532.138	5004143	V-RING	1					
60	0732.040.904		COMPRESSION SPRING	1					

Plant

Page 1 from 2

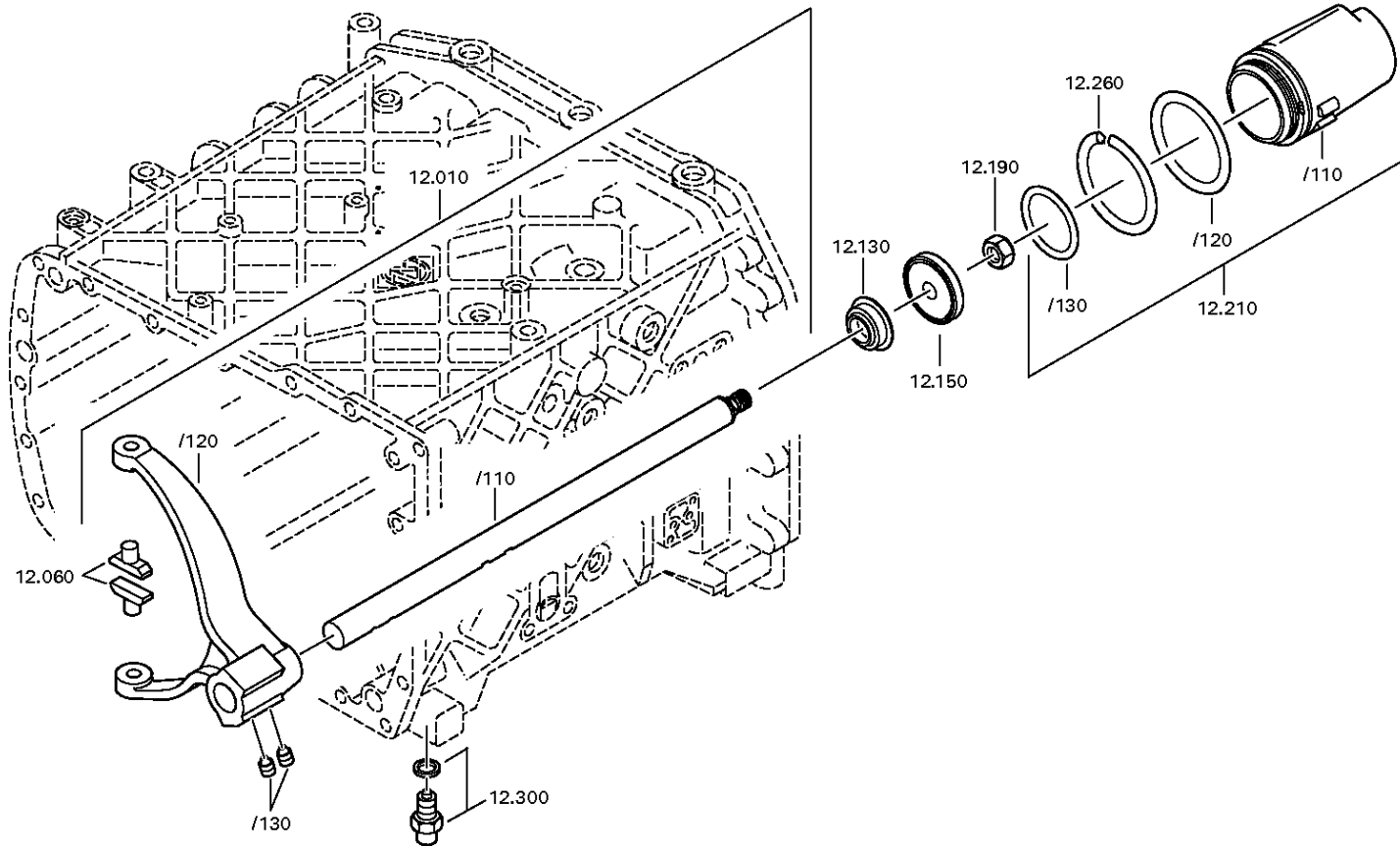
Material number: 1315.051.141

Plant: 068.40.04-1

GV-SHIFT SYSTEM



16 S 151 /
GV-SHIFT SYSTEM



Plant

Page 2 from 2

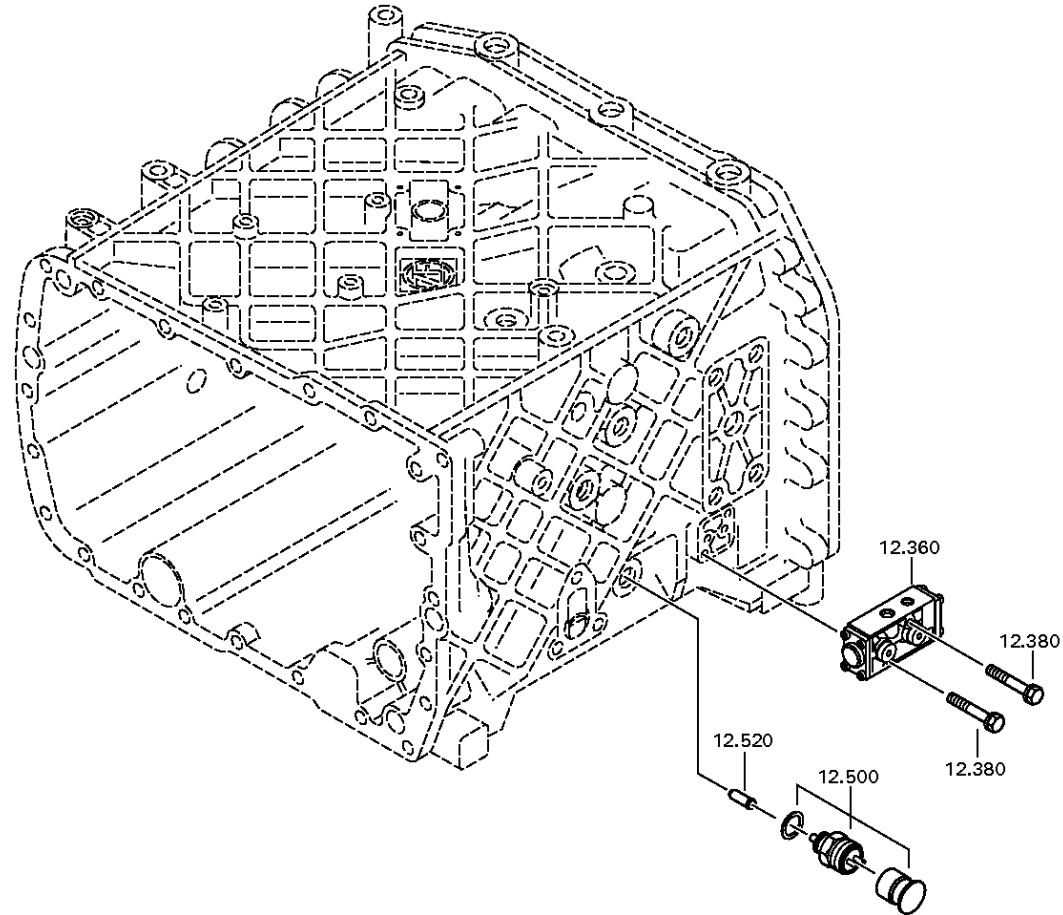
Material number: 1315.051.141

Plant: 068.40.42-1

GV-SHIFT SYSTEM



16 S 151 /
GV-SHIFT SYSTEM



Parts list

Page 1 from 1



16 S 151 /

Material number: 1315.051.141

Plant: 068.40.04-1

Material-assembly-group-no: 1315.112.017

Pos.	Material number	Customer material	Name	Quantity	ME	Amend. no.	Techn. Info.	Rep kit	Alternative material
10	1315.212.013		GEAR SHIFT RAIL	1		Z00012212711	KPL.GV.LAG.GEH.1		
/110	1315.312.073		GEAR SHIFT RAIL	1					
/120	1315.312.074		GEAR SHIFT FORK	1			GV ECO 3		
/130	1315.312.047	42172912	SET SCREW	2			M12X1		
60	1316.306.015	5 5342 0	SLIDING PAD	2		Z00012212711			
130	0750.112.131	8 8342 0	FLANGE PACKING	1		Z00012212711	25X40X15		
150	0501.324.670	1887735	PISTON	1		Z00012212711			
190	0737.300.037	1874075	LOCKING NUT	1			MS16X1,5		
210	1315.212.010		CYLINDER	1		Z00012212711	KPL.		
/110	1315.312.048	5 5336 0	CYLINDER	1			ENTHALT.IN 1315 312 033(1)		
/120	0634.313.018		O-RING	1			82X3		
/130	0634.313.320	8 8327 0	O-RING	1			67X3		
260	1315.312.034		SPRING	1		Z00012212711			
300	---		DETENT PLUNGER	1		Z00012212711	235N*50N.M		
---	1324.207.033	H0472564	DETENT PLUNGER	1			KPL. *235 N		
---	0730.008.604	1638154	SEALING RING	1		C01009860C10			
360	0501.219.310	1897664	5/2 WAY VALVE	1		Z00015060511			
380	0636.100.468	1897021	SCREW WITH WASHER ASSEMBLY	2		Z00021359310	M6X40		
500	---		SWITCH	1		Z00025492711	SCHL*M27*45N.M*DICHTRING* SCHUTZKAPPE		
---	0501.331.663		SWITCH	1		Z00025492716	SCHLIESSER		
---	0634.801.062	1804055	SEALING RING	1		Z00025492716	18X24		
---	0700.300.427		PROTECTION CAP	1		Z00025492716			
520	1295.212.006		PIN	1			KPL.		

Plant

Page 1 from 5

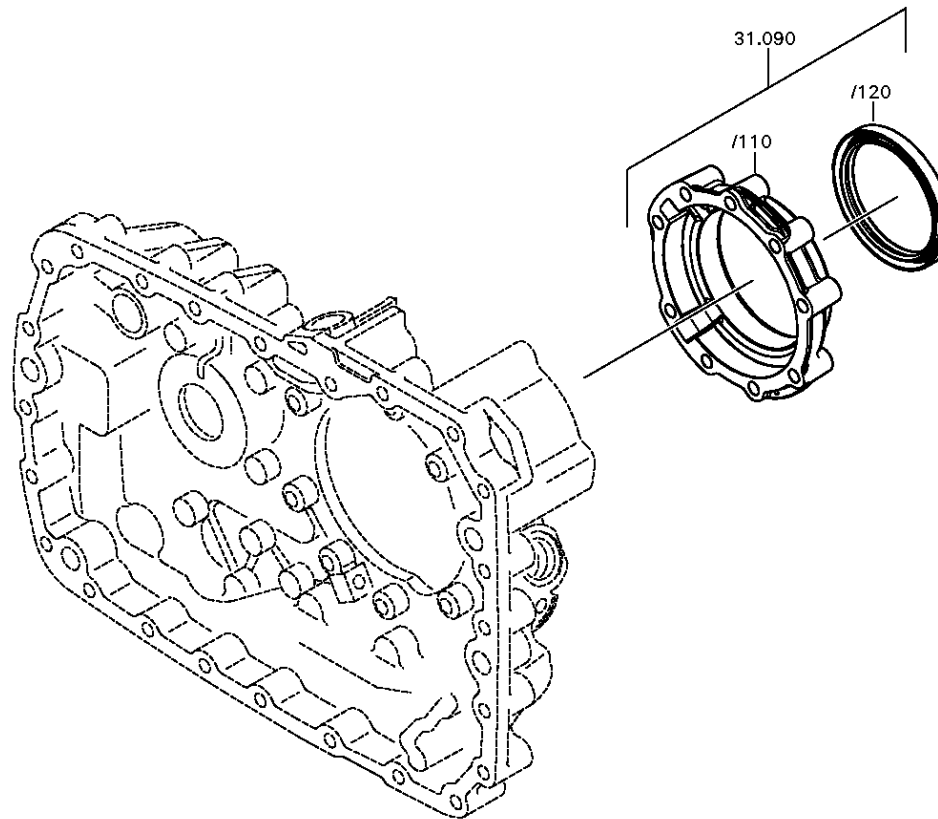
Material number: 1315.051.141

Plant: 068.43.21-1

COVER



16 S 151 /
COVER



Plant

Page 2 from 5

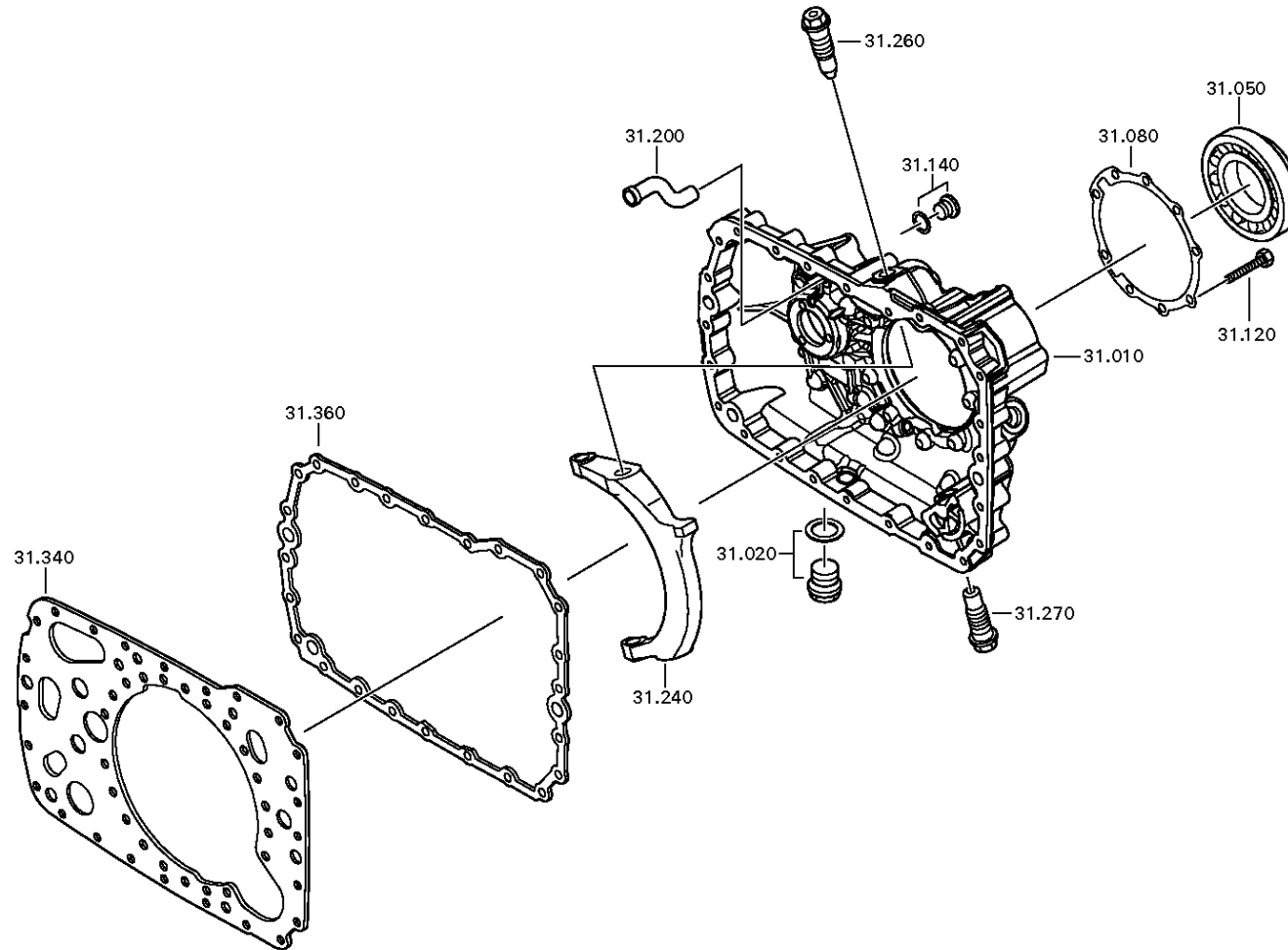
Material number: 1315.051.141

Plant: 068.43.06-1

COVER



16 S 151 /
COVER



Plant

Page 3 from 5

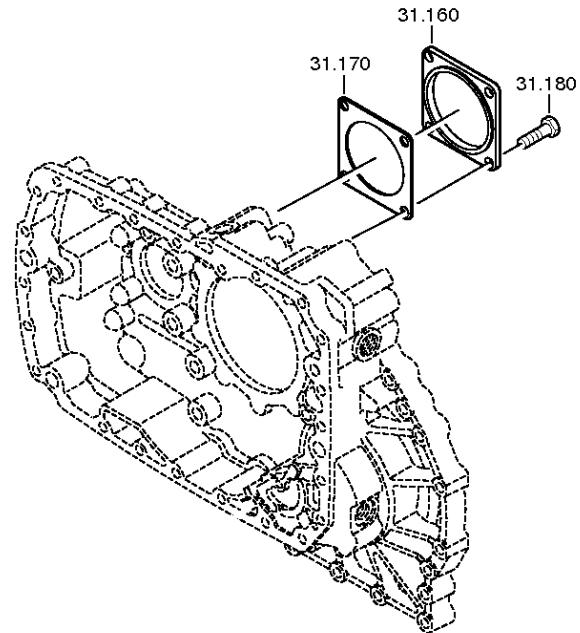
Material number: 1315.051.141

Plant: 068.43.40-1

COVER



16 S 151 /
COVER



Plant

Page 4 from 5

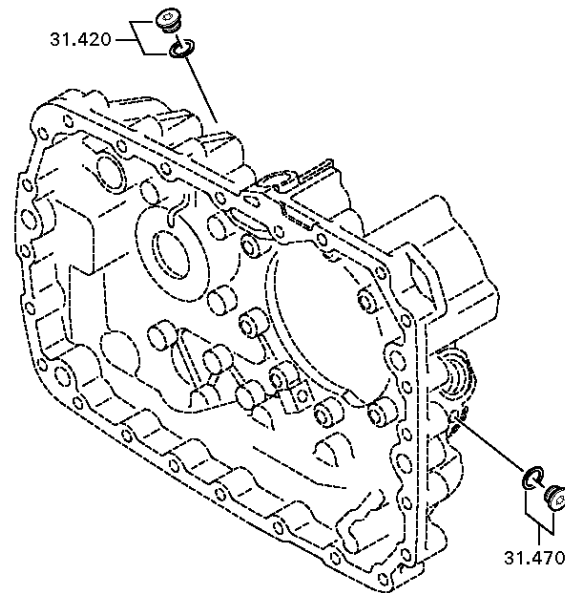
Material number: 1315.051.141

Plant: 068.43.45-1

COVER



16 S 151 /
COVER



Plant

Page 5 from 5

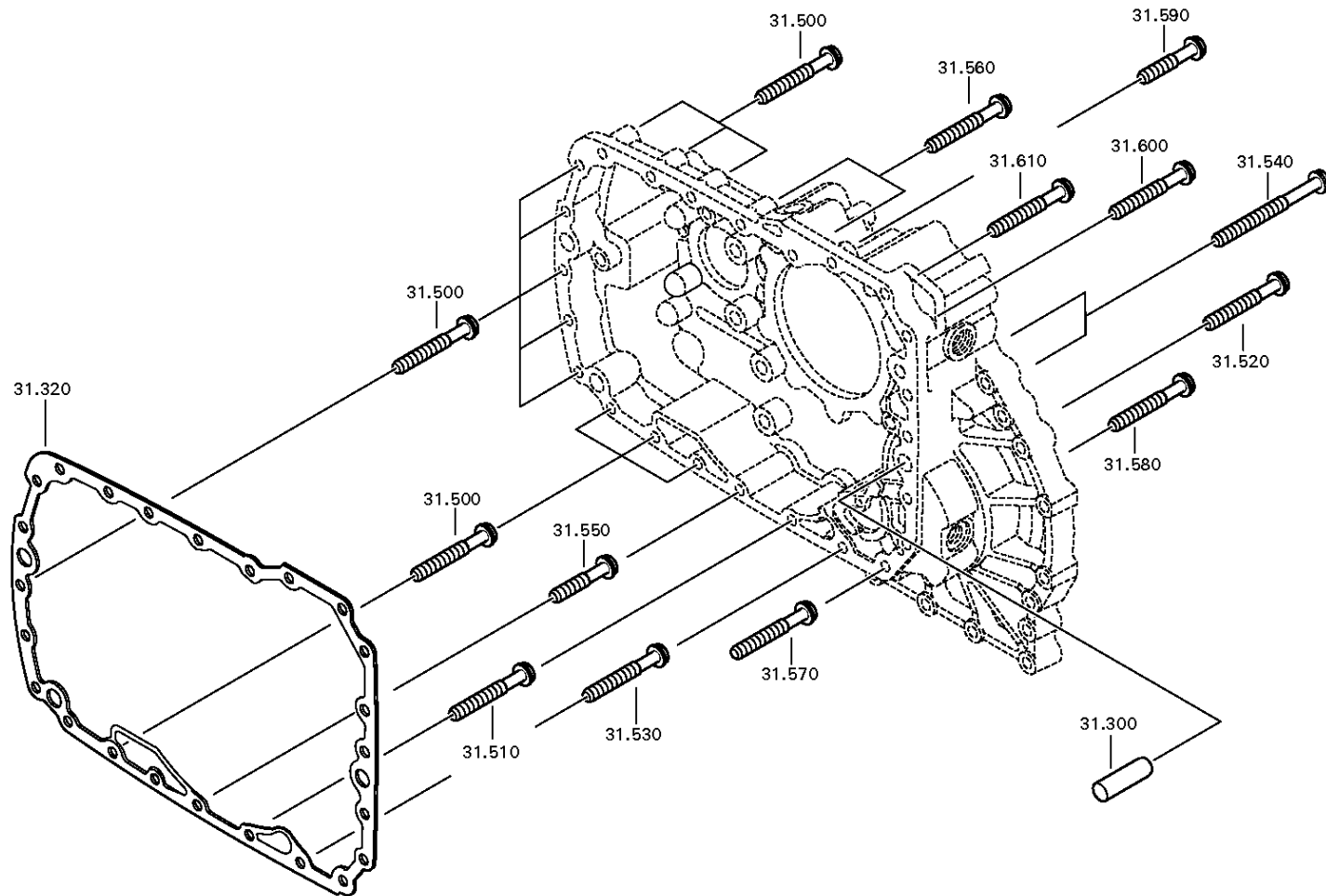
Material number: 1315.051.141

Plant: 068.43.80-1

COVER



16 S 151 /
COVER



Parts list

Page 1 from 2



16 S 151 /

Material number: 1315.051.141

Plant: 068.43.21-1

Material-assembly-group-no: 1315.131.047

Pos.	Material number	Customer material	Name	Quantity	ME	Amend. no.	Techn. Info.	Rep kit	Alternative material
10	1315.301.223		HOUSING	1			ENTHALT.IN 1315 301 222(0)		
20	---		SCREW PLUG	1		Z00010112111	60N.M*DICHTRING M24X1,5		
---	0636.304.088	1882905	SCREW PLUG	1		Z00010112110	M24X1,5		
---	0730.008.637	1428103	SEALING RING	1		Z00010112110	24X29		
50	0750.116.394	5 8092 0	BALL BEARING	1		C01007214E10	90,0X160,0X30,0		
80	1315.331.001	1621206	GASKET	1		C01005350C10			
90	1315.231.004		COVER	1			KPL.		
/120	0750.111.341	8 8812 0	SHAFT SEAL	1			105X130X12		
//10	0734.319.253		SHAFT SEAL	1			105X130X12 FA.CFW		
//20	0734.319.551		SHAFT SEAL	1					
120	0636.016.405		HEXAGON SCREW	9		Z00007060111	M10X60		
140	---		SCREW PLUG	1		C01004359F10	15N.M*DICHTRING M10X1		
---	0636.100.793		SCREW PLUG	1		Z00010111613	M10X1		
---	0730.008.055		SEALING RING	1			10X14		
160	1328.301.170	1878388	COVER	1		Z00008068010			
170	1238.308.201	5006880	GASKET	1			ENTHALT.IN 1238 308 202(2)		
180	0636.016.406		HEXAGON SCREW	4		Z00007061014	M12X25		
200	1296.301.008	70561090	SPRAY TUBE	1					
240	1315.334.039		GEARSHIFT FORK	1					
260	---		SWIVEL SCREW	1		Z00004075611	O.SCHEIBE M24X1,5 SK6		
---	1315.334.074	1877888	SWIVEL SCREW	1		Z00004075610			
270	---		SWIVEL SCREW	1		Z00004075611	O.SCHEIBE M24X1,5 SK6		
---	1315.334.074	1877888	SWIVEL SCREW	1		Z00004075610			
300	0731.201.563	1290941	CYLINDRICAL PIN	3					
320	1316.301.042	133-158-1320	GASKET	1					
340	1315.301.118	H0166247	INTERMEDIATE PLATE	1			ENTHALT.IN 1315 301 144(0)		
360	1316.301.042	133-158-1320	GASKET	1					
420	---		SCREW PLUG	1		Z00010111513	35N.M*DICHTRING M18X1,5		
---	0636.100.791		SCREW PLUG	1		Z00010111521	M18X1,5		
---	0634.801.062	1804055	SEALING RING	1		Z00010111521	18X24		
470	---		SCREW PLUG	1		Z00010111513	35N.M*DICHTRING M18X1,5		
---	0636.100.791		SCREW PLUG	1		Z00010111521	M18X1,5		
---	0634.801.062	1804055	SEALING RING	1		Z00010111521	18X24		
500	0736.300.123	1880233	HEXAGON SCREW	11			M10X70 M10X70		

Parts list

Page 2 from 2



16 S 151 /

Material number: 1315.051.141

Plant: 068.43.21-1

Material-assembly-group-no: 1315.131.047

Pos.	Material number	Customer material	Name	Quantity	ME	Amend. no.	Techn. Info.	Rep kit	Alternative material
510	0736.300.123	1880233	HEXAGON SCREW	1			M10X70 M10X70		
520	0736.300.123	1880233	HEXAGON SCREW	1			M10X70 M10X70		
530	0736.300.123	1880233	HEXAGON SCREW	1			M10X70 M10X70		
540	0736.300.122		HEXAGON SCREW	2		Z00009403110	M10X110 M10X110		
550	0736.300.134		HEXAGON SCREW	1		Z00011103210	M10X45 M10X45		
560	0736.300.123	1880233	HEXAGON SCREW	2			M10X70 M10X70		
570	0736.300.123	1880233	HEXAGON SCREW	1			M10X70 M10X70		
580	0736.300.123	1880233	HEXAGON SCREW	1			M10X70 M10X70		
590	0736.300.134		HEXAGON SCREW	1		Z00011103210	M10X45 M10X45		
600	0736.300.123	1880233	HEXAGON SCREW	1			M10X70 M10X70		
610	0736.300.123	1880233	HEXAGON SCREW	1			M10X70 M10X70		

Plant

Page 1 from 2

Material number: 1315.051.141

Plant: 068.44.04-1

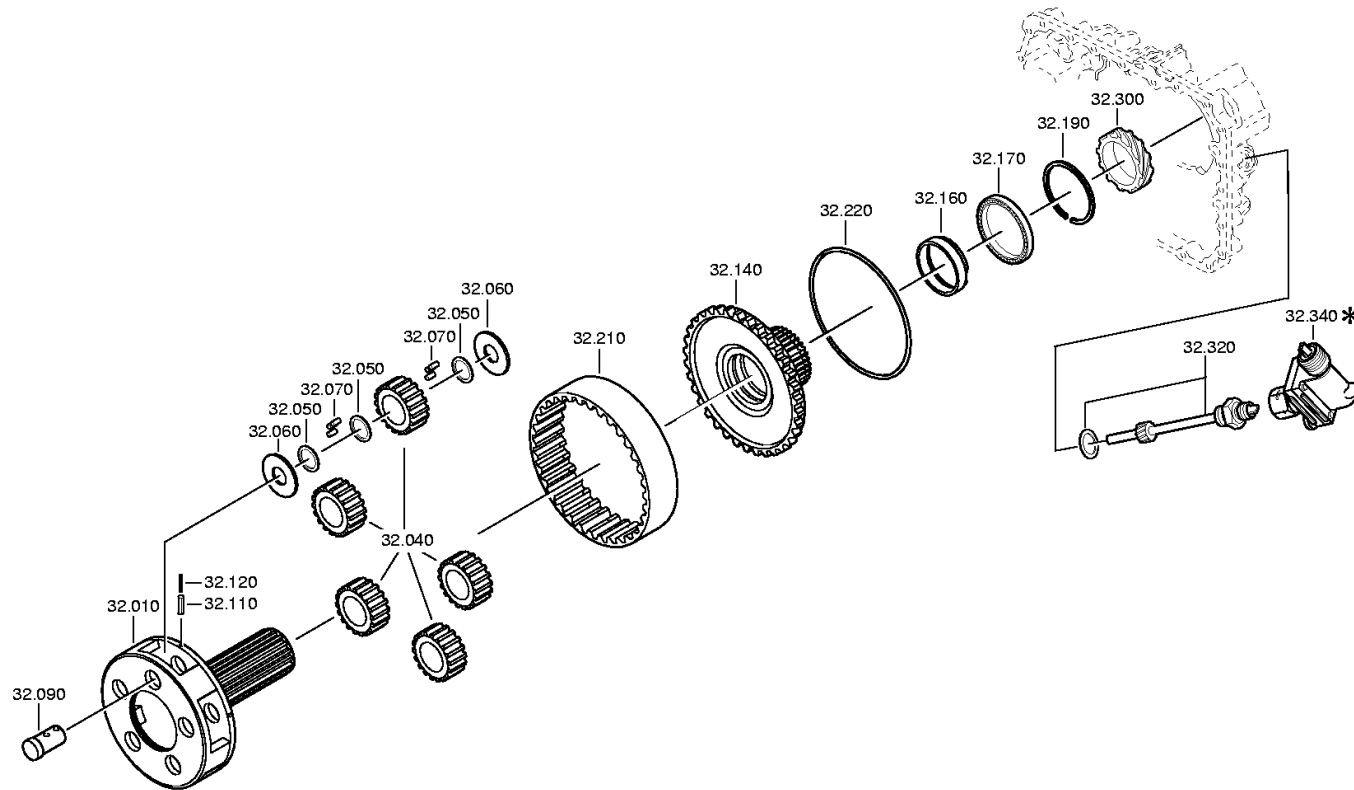
PLANETARY DRIVE



16 S 151 /
PLANETARY DRIVE

Bildtafel:
Figure: 068.44.04
Figure:
Figura:

je nach Stücklistenausführung
depending on spec. number
*
suivant la nomenclature
secondo la distinta base



Plant

Page 2 from 2

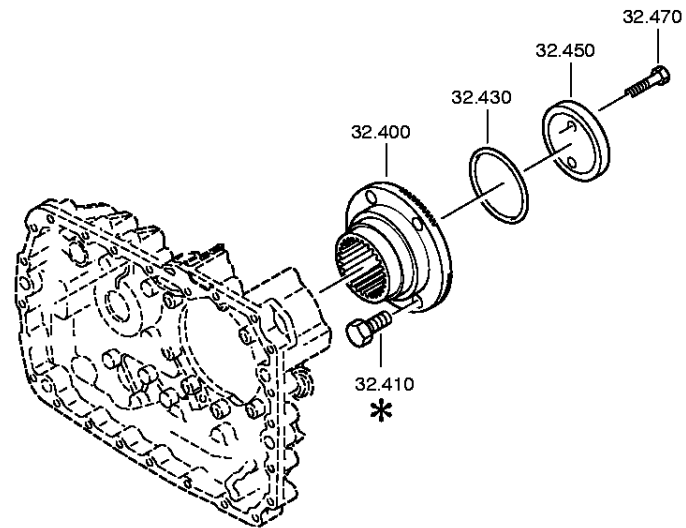
Material number: 1315.051.141

Plant: 068.44.41-1

PLANETARY DRIVE



16 S 151 /
PLANETARY DRIVE



Parts list

Page 1 from 2



16 S 151 /

Material number: 1315.051.141

Plant: 068.44.04-1

Material-assembly-group-no: 1315.132.006

Pos.	Material number	Customer material	Name	Quantity	ME	Amend. no.	Techn. Info.	Rep kit	Alternative material
10	1315.232.026		PLANET CARRIER	1		Z00014438010			
40	1313.232.003	ZF-1313 232 003	PLANET GEAR SET	1			KPL.		
50	0730.107.168		INTERMEDIATE WASHER	15			A=1,00 IN 0730 105 951(2)		
60	0501.308.981		WASHER	10			ENTHALT.IN 0501 304 086(2)		
70	0735.470.164		CYLINDER ROLLER	140			10,0X15,0 FA.INA		
90	1315.332.090		PLANET SHAFT	5		Z00014438010			
110	0631.329.147	1909945	SLOTTED PIN	5		Z00014438010	6X26		
120	0631.329.261	1909946	SLOTTED PIN	5			3,5X26		
140	1315.332.087	1850154	RING GEAR CARRIER	1		C01007309F10			
160	---		INTERMEDIATE RING	1			GGG60/STAHL		
---	1297.332.122		INTERMEDIATE RING	1					
---	1297.332.002		INTERMEDIATE RING	1					
170	0750.116.165	8 8423 0	BALL BEARING	1					
190	---		SNAP RING	1		C01000420A10	H= 2,00- 2,50(ABSTUFUNG:0,10MM)		
---	0730.513.755	1384849	SNAP RING	1					
---	0730.513.756		SNAP RING	1					
---	0730.513.757		SNAP RING	1					
---	0730.513.758	1615391	SNAP RING	1					
---	0730.513.759		SNAP RING	1					
---	0730.513.760		SNAP RING	1					
210	1295.332.086	0069091	RING GEAR	1			Z86 IN 1295 332 085(1)		
220	0730.505.056		LOCKING WIRE	1			A=3,20 IN 0730 505 052(2)		
300	1313.338.001		SPEEDOMETER WORM	1			ENTHALT.IN 1297 338 004(2)		
320	---		SPEEDOMETER DRIVE SHAFT	1					
---	1296.235.001		SPEEDOMETER DRIVE SHAFT	1			KPL.		
/150	0634.300.185	00412825	SHAFT SEAL	1			10X15X3		
---	0634.801.097		SEALING RING	1			30X36		
400	1313.338.002		OUTPUT FLANGE	1			ENTHALT.IN 1313 338 004(0)		
410	---		HEXAGON SCREW	4			SCHUTZKAPPE M14X1,5X50		
---	0636.100.202		HEXAGON SCREW	4			M14X1,5X50		
430	0634.314.015	8 8820 0	O-RING	1			68X4		
450	1295.332.051		WASHER	1					

Parts list

Page 2 from 2



16 S 151 /

Material number: 1315.051.141

Plant: 068.44.04-1

Material-assembly-group-no: 1315.132.006

Pos.	Material number	Customer material	Name	Quantity	ME	Amend. no.	Techn. Info.	Rep kit	Alternative material
470	0636.011.777		HEXAGON SCREW	2		Z00007292012	M12X60		

Plant

Page 1 from 2

Material number: 1315.051.141

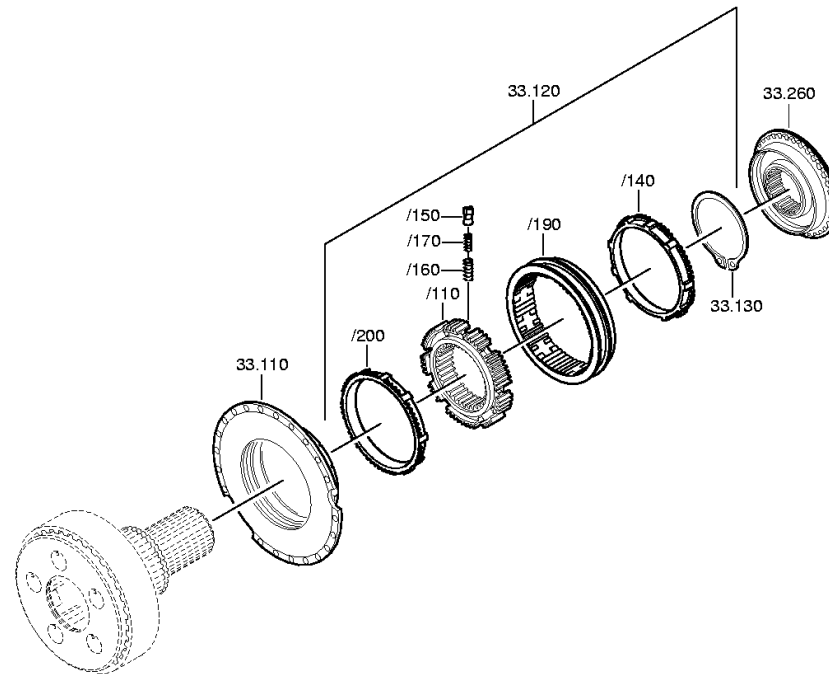
Plant: 068.45.07-1

SYNCHRONIZER



16 S 151 /
SYNCHRONIZER

Bildtafel:
Figure: 068.45.07
Figure:
Figura:



Plant

Page 2 from 2

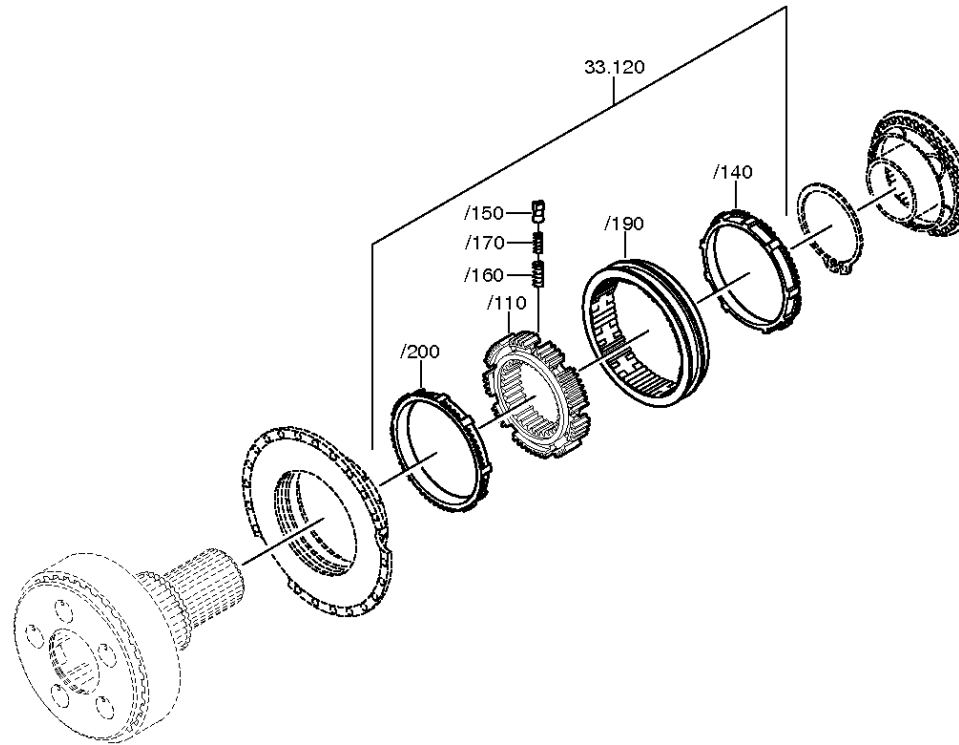
Material number: 1315.051.141

Plant: 068.45.40-1

SYNCHRONIZER



16 S 151 /
SYNCHRONIZER



Parts list

Page 1 from 1



16 S 151 /

Material number: 1315.051.141

Plant: 068.45.07-1

Material-assembly-group-no: 1315.133.002

Pos.	Material number	Customer material	Name	Quantity	ME	Amend. no.	Techn. Info.	Rep kit	Alternative material
110	1315.233.006	5 5331 0	CLUTCH BODY	1			KPL. IN 1315 233 007(0)		
120	1316.233.022		SYNCHRONIZER	1			KPL.PROFIL 80GV-GP 90SV-GP		
/110	1313.333.001	0069909	SYNCHRO.BODY	1			ENTHALT.IN 1296 333 014(1)		
/140	1296.333.045	5 5301 0	SYNCHRO.RING	1					
/150	1240.304.278	3362640239	PRESSURE PART	9					
/160	0732.040.385	3362640693	COMPRESSION SPRING	9					
/170	0732.040.386	3362640793	COMPRESSION SPRING	9					
/190	1316.333.034	1780340	SLIDING SLEEVE	1		C01007317F10	ZF-B 165/74 GP		
/200	1296.333.045	5 5301 0	SYNCHRO.RING	1					
130	0630.501.175	0692274	RETAINING RING	1		Z00006943010	125X3,7		
260	1315.233.030	1832087	CLUTCH BODY	1		C01007309F10	KPL.		
80	1272.298.934		SMALL COMP.SET	1			KPL.5S90*GP*SYNCHRONIESIE.		

Plant

Page 1 from 1

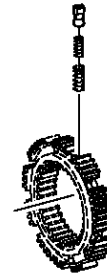
Material number: 1315.051.141

Plant: 073.98.01-1

Material-assembly-group-no: 1272.298.934



16 S 151 /
SMALL COMP.SET



Parts list

Page 1 from 1



16 S 151 /

Material number: 1315.051.141

Plant: 073.98.01-1

Material-assembly-group-no: 1272.298.934

Pos.	Material number	Customer material	Name	Quantity	ME	Amend. no.	Techn. Info.	Rep kit	Alternative material
80	1272.298.934		SMALL COMP.SET	1			KPL.5S90*GP*SYNCHRONIESIE.		

Plant

Page 1 from 2

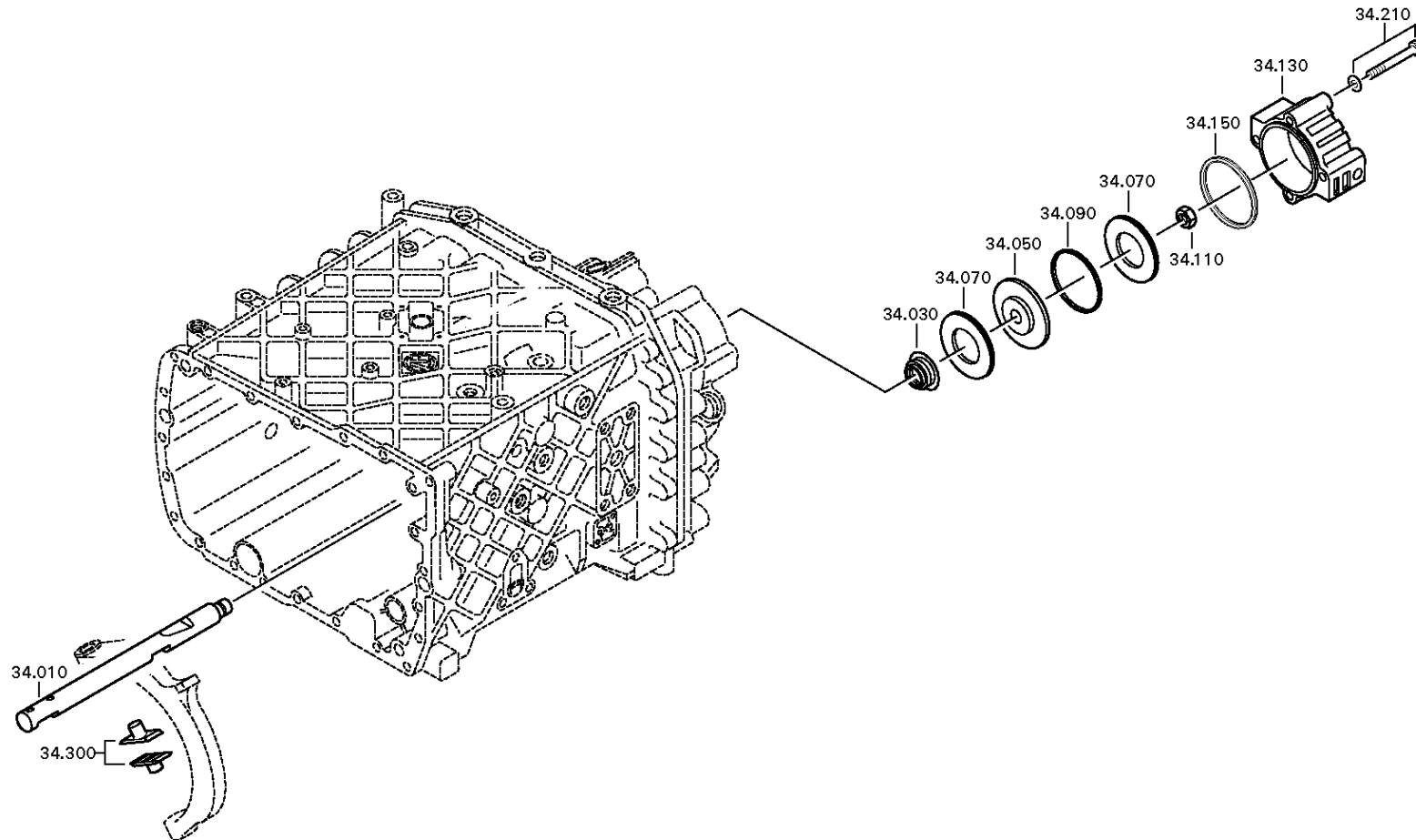
Material number: 1315.051.141

Plant: 068.46.03-1

GP SHIFT SYSTEM



16 S 151 /
GP SHIFT SYSTEM



Plant

Page 2 from 2

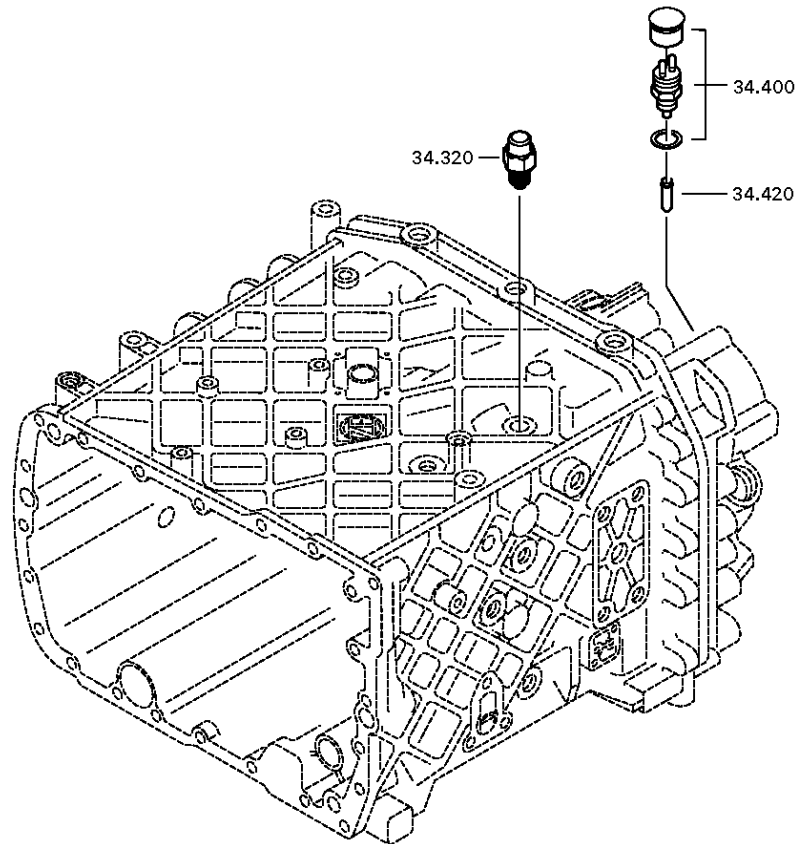
Material number: 1315.051.141

Plant: 068.46.40-1

GP SHIFT SYSTEM



16 S 151 /
GP SHIFT SYSTEM



Parts list

Page 1 from 1



16 S 151 /

Material number: 1315.051.141

Plant: 068.46.03-1

Material-assembly-group-no: 1315.134.015

Pos.	Material number	Customer material	Name	Quantity	ME	Amend. no.	Techn. Info.	Rep kit	Alternative material
10	1315.334.071	1782357	GEAR SHIFT RAIL	1					
30	0750.112.253	5 8342 0	FLANGE PACKING	1			25X40X15		
50	---		PISTON	1			GP		
---	1315.334.034		PISTON	1			ENTHALT.IN 1315 334 040(2)		
---	1315.334.063		PISTON	1					
70	0734.307.294	5 8400 0	SEALING RING	2			49X91X7,4 FA.KACO		
90	0750.112.066	5 5131 0	GUIDE RING	1					
110	0737.300.037	1874075	LOCKING NUT	1			MS16X1,5		
130	1315.334.069	5 5836 0	CYLINDER	1					
150	0501.317.536	5 6096 0	PROFILE SEALING RING	1					
210	---		HEXAGON SCREW	4		Z00007349210	M10X90		
---	0636.015.688	1896739	HEXAGON SCREW	4		Z00007349212	M10X90		
---	0630.100.294	1894557	WASHER	4		Z00007158111			
300	1296.334.004	5 5174 0	SLIDING PAD	2					
320	---		DETENT PLUNGER	1			145N*50N.M		
---	1324.207.035	H0472239	DETENT PLUNGER	1			KPL. *145 N		
---	0730.008.604	1638154	SEALING RING	1					
400	---		SWITCH	1		Z00004287211	OEFF*M27*45N.M*DICHTRING* SCHUTZKAPPE		
---	0501.219.858	1953644	SWITCH	1		Z00020174910	OEFFNER RUNDSTECKER		
---	0634.801.062	1804055	SEALING RING	1		Z00004287210	18X24		
---	0700.300.427		PROTECTION CAP	1		Z00004287210			
420	1295.212.006		PIN	1			KPL.		

Plant

Page 1 from 1

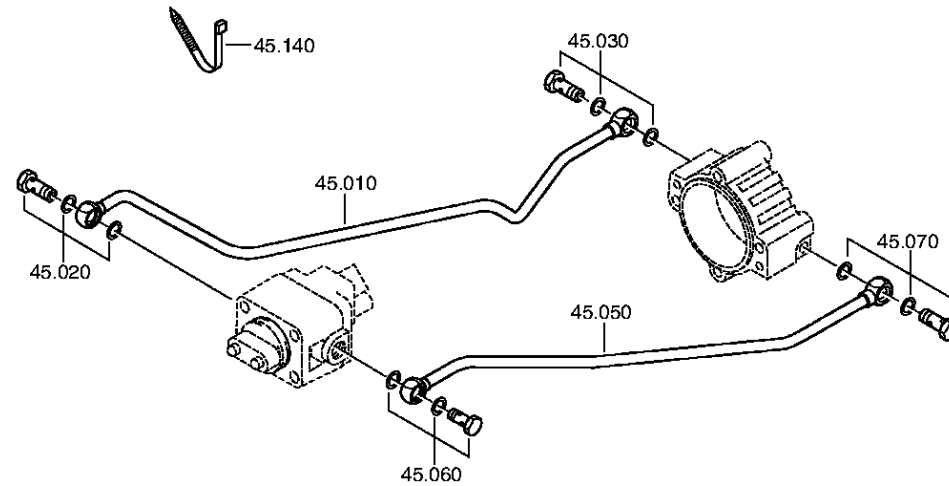
Material number: 1315.051.141

Plant: 068.57.04-1

Material-assembly-group-no: 1315.145.004



16 S 151 /
RANGE SELECTION



Parts list

Page 1 from 1



16 S 151 /

Material number: 1315.051.141

Plant: 068.57.04-1

Material-assembly-group-no: 1315.145.004

Pos.	Material number	Customer material	Name	Quantity	ME	Amend. no.	Techn. Info.	Rep kit	Alternative material
10	1315.245.016		TUBE	1		C01003833B10	KPL.GP RE*L=515MM*12X1,5		
20	---		UNION SCREW	1		Z00010274511	M14X1,5		
---	0737.300.061	1907567	UNION SCREW	1		Z00012473710	M14X1,5		
---	0634.801.217	99707034424	SEALING RING	1		Z00010274513	14X20		
30	---		UNION SCREW	1		Z00010274511	M14X1,5		
---	0737.300.061	1907567	UNION SCREW	1		Z00012473710	M14X1,5		
---	0634.801.217	99707034424	SEALING RING	1		Z00010274513	14X20		
50	1315.245.017		TUBE	1		C01003833B10	KPL.GP LI*L=532MM*12X1,5		
60	---		UNION SCREW	1		Z00010274511	M14X1,5		
---	0737.300.061	1907567	UNION SCREW	1		Z00012473710	M14X1,5		
---	0634.801.217	99707034424	SEALING RING	1		Z00010274513	14X20		
70	---		UNION SCREW	1		Z00010274511	M14X1,5		
---	0737.300.061	1907567	UNION SCREW	1		Z00012473710	M14X1,5		
---	0634.801.217	99707034424	SEALING RING	1		Z00010274513	14X20		
140	0659.160.081		CABLE CLIP	1		C01006654E10	4,7X210		

Plant

Page 1 from 1

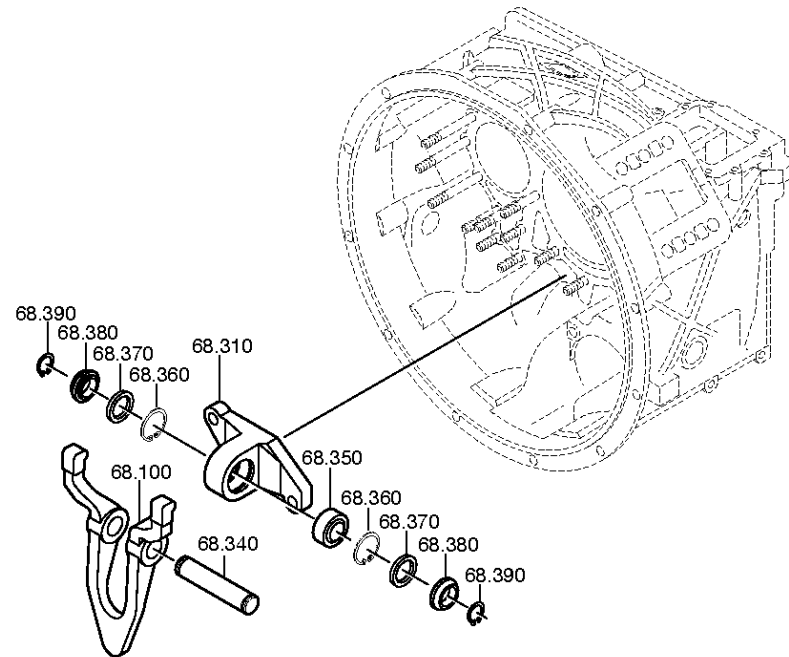
Material number: 1315.051.141

Plant: 068.93.07

Material-assembly-group-no: 1315.168.019



16 S 151 /
CLUTCH RELEASE DEVICE



Parts list

Page 1 from 1



16 S 151 /

Material number: 1315.051.141

Plant: 068.93.07

Material-assembly-group-no: 1315.168.019

Pos.	Material number	Customer material	Name	Quantity	ME	Amend. no.	Techn. Info.	Rep kit	Alternative material
100	1315.268.017	ZF-1315 268 017	RELEASE FORK	1			KPL.AUSR-GELENKLAG*SW=78		
310	1315.306.080	5 5864 0	BRACKET	1					
330	0636.100.727		HEXAGON SCREW	2			M12X35		
340	0731.201.606	0731201606	PIN	1			ENTHALT.IN 0731 201 607(2)		
350	0635.285.037	5 8108 0	JOINT BEARING	1					
360	0630.502.023	933167R1	RETAINING RING	2			42X1,75		
370	0501.315.198	5 6117 0	SEALING RING	2					
380	6060.306.087	5 6099 0	SEALING WASHER	2					
390	0630.501.020		RETAINING RING	2			25X1,2		