



Spare Parts Catalog

16 S 2331 TD

Material number: 1356.052.026

Current date: 19.02.2014

ZF Friedrichshafen AG
Hauptverwaltung
80038 Friedrichshafen
Deutschland

Telefon: +49 7541 77-0

Telefax: +49 7541 77-908000

www.zf.com

zuständiges Werk:
Friedrichshafen

Notes relating to the spare parts catalog

Setup of the spare parts catalog

- Cover sheet
- Technical Cover (only in SDM print)
- Overview of figures
- Figure
- Associated parts list
- Next figure
- Associated parts list
- ...

Figure and parts list



Overview of figures

Bildtafel Figure	Sachnummer Product number	Benennung (Description)	Technische Info Technical info	Description (Benennung)	Menge Quantity	Einheit Unit
068.08.17	1316.170.001	AUSLEGER	WL	SHIFT TURRET	1	Stk
068.08.06	1316.170.031	DECKEL	WL*H-H *VM	COVER	1	Stk
068.08.14	1316.170.808	DECKEL	WL*AUSL+GEH*H-H*HF160N	COVER	1	Stk
08	1316.170.441	ANSCHLUSSTEILE	WL*NG-VORB*RG-SCHL*168N *BAJONETT	CONNECTING PARTS	1	Stk

The "gap" indicates that there is no separate graphics panel (poster) for this assembly
 The parts of this assembly are shown with the same mid-section number on the figure

1 Positions and subpositions

Pos.	Sachnummer Product number	Benennung (Description)	Technische Info Technical info	Description (Benennung)	Menge Quantity	Einheit Unit
0370	1315.201.054	RUECKLAUFBOLZEN	KPL.16S151*SG*L= 79	REV.IDLER SHAFT	1	Stk
/0120	0631.329.293	SPANNSTIFT		SLOT. PIN	1	Stk

Positions marked with "/" are the individual items of a completion
 For example: Position 0370 contains a centering pin with the position /0120

2 Combinations with standardized parts

Pos.	Sachnummer Product number	Benennung (Description)	Technische Info Technical info	Description (Benennung)	Menge Quantity	Einheit Unit
0630		VERSCHL.SCHR.		SCREW PLUG	1	Stk
	0636.302.067	VERSCHL.SCHR.		SCREW PLUG	1	Stk
	0634.801.249	DICHTRING	A 26 X 31	SEALING RING	1	Stk

The parts list shows the components included in the combination of standardized parts

3 Depiction of position/item number on the figure and in the parts list

01.620 - on the figure 01 relates to the assembly in which the position is included. Due to program-related reasons, it is shown on the figure.

0620 - in the parts list

Pos.	Sachnummer Product number	Benennung (Description)	Technische Info Technical info	Description (Benennung)	Menge Quantity	Einheit Unit
0620	0732.040.736	DRUCKFEDER		COMPRESSION SPRING	1	Stk

4 *-Positions

Positions marked with an * are optional i.e. inclusion in the parts list is not mandatory.
 The following note is shown on the figure

je nach Stücklistenausführung
 depending on spec. number
 *
 suivant la nomenclature
 secondo la distinta base

5 Parts, dotted display

Parts with dotted display on the figure are only used for orientation of other parts

Technical Cover

Page 1 from 2



Material number: 1356.052.026

16 S 2331 TD /

Pos.	Information	Amendment number
001	Use case -----	
002	Customer DAF TRUCKS N.V.	
003	City EINDHOVEN	
004	DUNS 41-579-9402	
006	Sales Name F105XF	
007	Manufacturer DAF TRUCKS N.V.	
008	Engineering Name	
009	Product Use TRUCK	
011	SOP	
012	Engine	
013	Sales Designation	
014	Manufacturer DAF TRUCKS N.V.	
015	Eng.Displ.	
016	Cylinder	
017	Nom. power 340 kW	
018	RPM at nom. power 1900 1/min	
019	Nom. torque 2300 Nm	
020	RPM at nom. torque 1450 1/min	
021	Classification use case -----	
024	TOTAL NUMBER OF WHEELS 6	
025	NUMBER OF DRIVING WHEELS 2	
026	DYNAMIC TYRE RADIUS 522 mm	
027	REAR AXLE RATIO 3.07	
031	PERMISS.GROSS COMBIN.WEIGHT 50 t	
032	Product description -----	
033	ATTACHED AGRREGATES 1 IT3 ECOSPLIT	
034	ATTACHM.POS.HEAT EXCHANGER BACK LEFT	
035	DES.CONN.HEAT EXCHANGER FLANGE-MOUNTED	
036	CLEANNES SCALE NUMBER 1 20	
037	CLEANNES SCALE NUMBER 2 16	
038	CLEANNES SPECIFICATION ZFN 5015	
056	OIL CAPACITY, GEARBOX 25 dm3	
057	OIL FILL VARIANT EX WORKS	



Pos.	Information	Amendment number
058	OIL GRADE PERMISSIBLE ACC. TO TE-ML02	
059	OIL CLASS FIRST FILLING E	
060	CODING OUTER CONSERVATION KA1+2	
061	SCOPE OUTER CONSERVATION T	
062	CODING INNER CONSERVATION KI1	
063	CONSERVATION SPECIFICATION ZFN 916	
064	COLOR NOT	
065	COLOUR CLASSIFICATION ACC. TO RAL	
071	Documents -----	
072	16-SPEED GEARB. Drawing 1356.652.001	
073	Alias ID -----	
074	DAF TRUCKS N.V. 1800301	

Assembly group overview

Page 1 from 1

Material number: 1356.052.026



16 S 2331 TD /

Graphics	Pos.	Material number	Name	Quantity	Amend. no.	Techn. Info.
	910	1356.008.013	16 S 233 TD IT	1		
155.A1.03-1	922	6093.050.007	IT 3 ECOSPLIT T	1		
155.E1.05-1	924	6093.101.805	ANCHORAGE	1		

Plant

Page 1 from 1

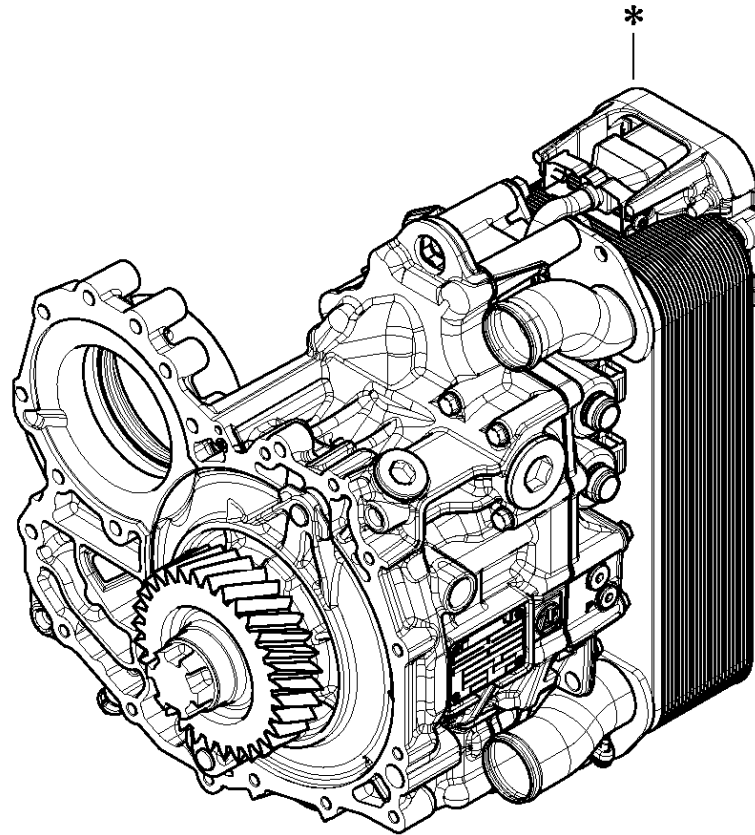
Material number: 1356.052.026

Plant: 155.A1.03-1

Material-assembly-group-no: 6093.050.007



16 S 2331 TD /
IT 3 ECOSPLIT T



Plant

Page 1 from 3

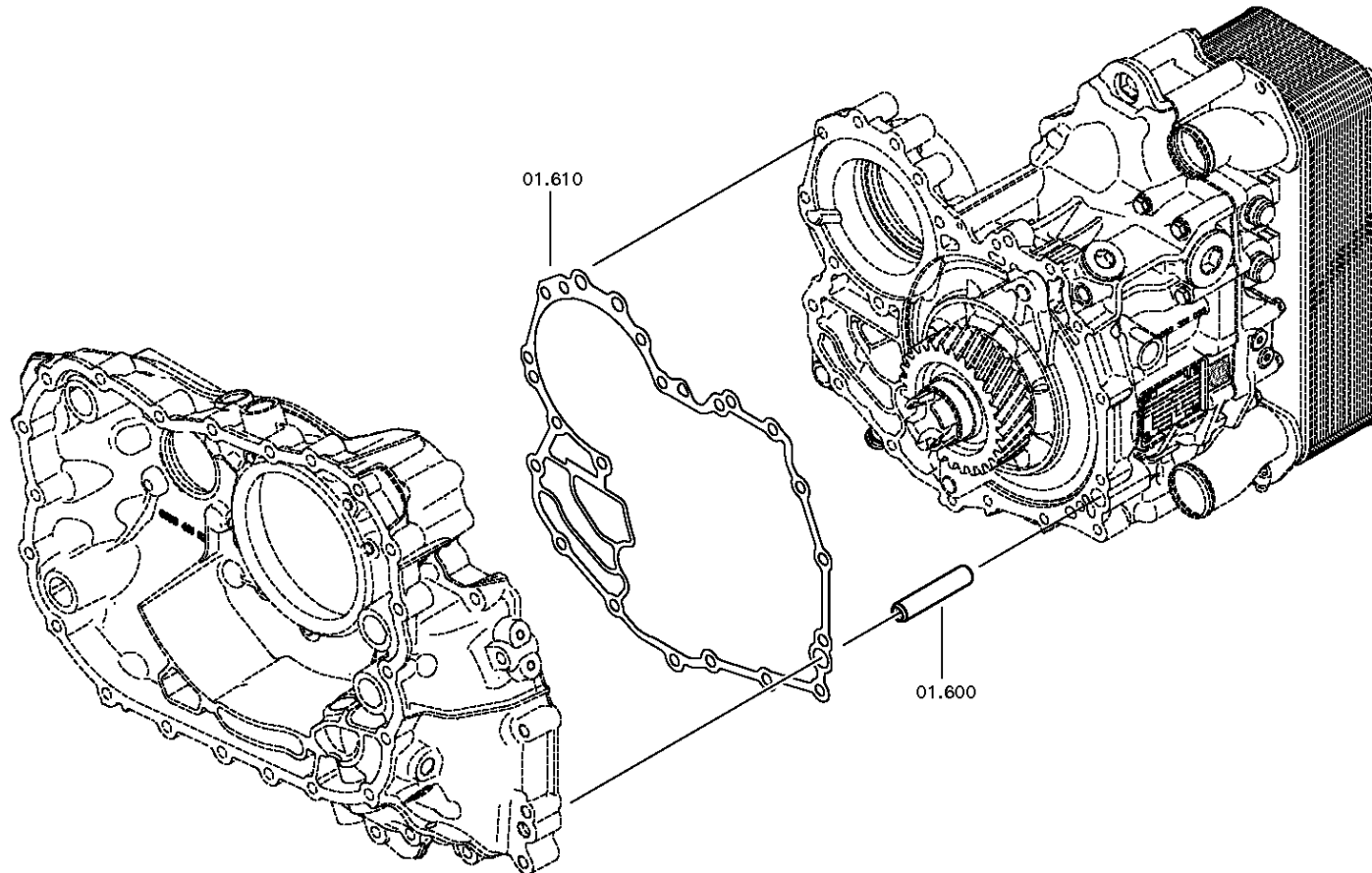
Material number: 1356.052.026

Plant: 155.E1.05-1

Material-assembly-group-no: 6093.101.805



16 S 2331 TD /
ANCHORAGE



Plant

Page 2 from 3

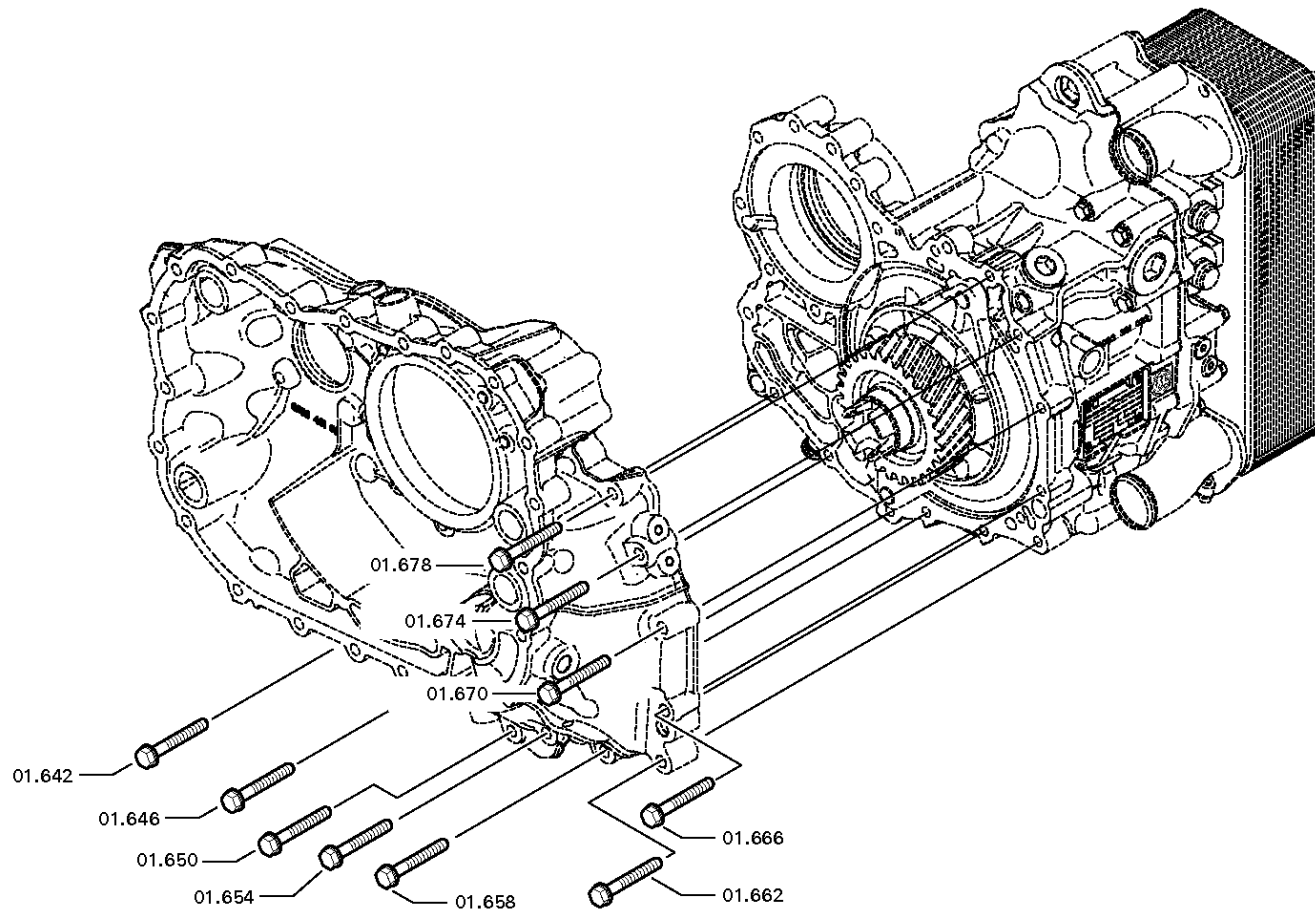
Material number: 1356.052.026

Plant: 155.E1.05-2

Material-assembly-group-no: 6093.101.805



16 S 2331 TD /
ANCHORAGE



Plant

Page 3 from 3

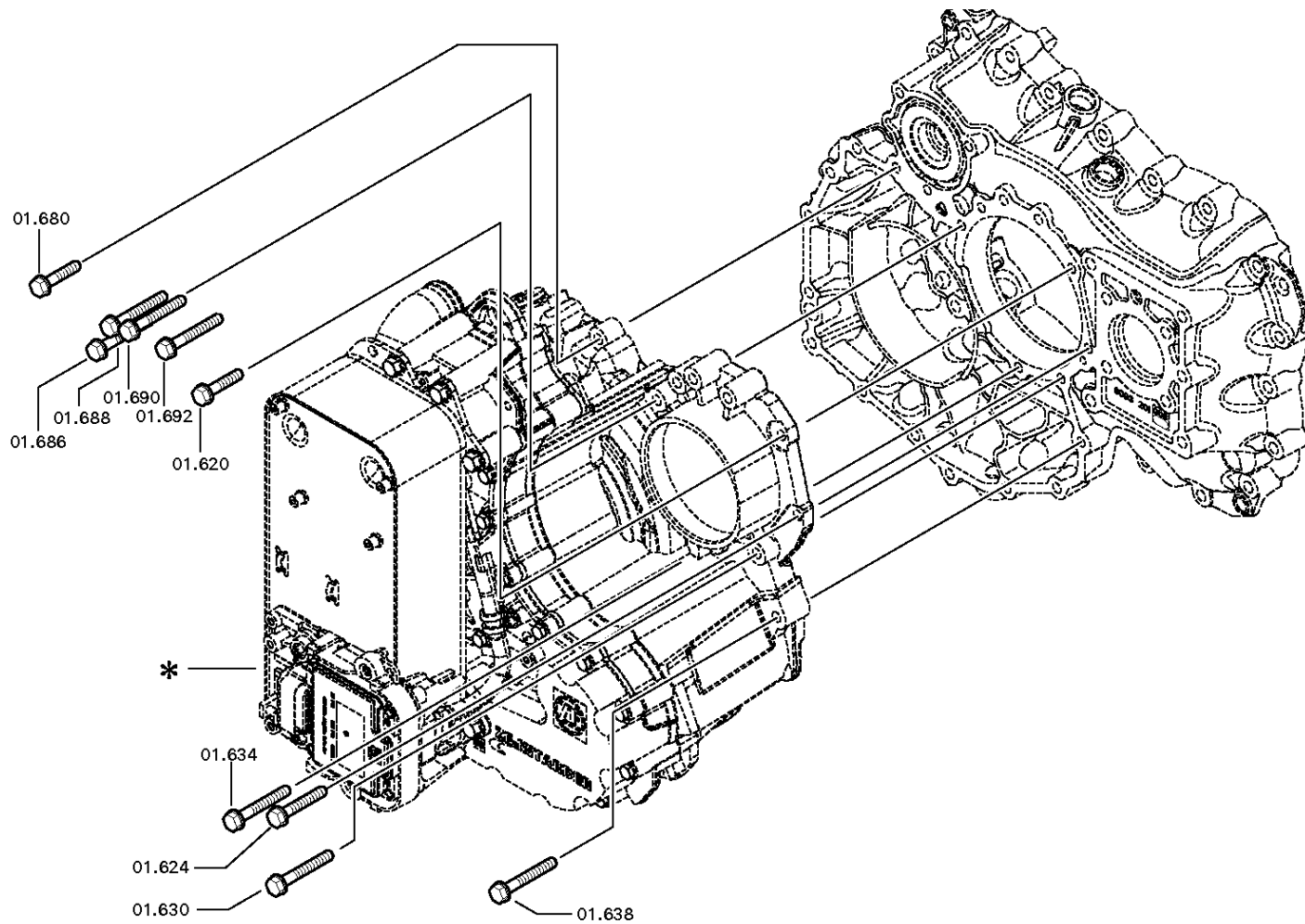
Material number: 1356.052.026

Plant: 155.E1.05-3

Material-assembly-group-no: 6093.101.805



16 S 2331 TD /
ANCHORAGE



Parts list

Page 1 from 1



16 S 2331 TD /

Material number: 1356.052.026

Plant: 155.E1.05-1

Material-assembly-group-no: 6093.101.805

Pos.	Material number	Customer material	Name	Quantity	ME	Amend. no.	Techn. Info.	Rep kit	Alternative material
600	0731.201.563	1290941	CYLINDRICAL PIN	1					
610	0501.331.587		GASKET	1			INDARDER IT3		
620	0636.100.433		HEXAGON SCREW	1		Z00009178010	M10X40		
624	0636.100.433		HEXAGON SCREW	1		Z00009178010	M10X40		
630	0636.102.270	0636 102 270 01	HEXAGON SCREW	1		Z00009177410	M10X60		
634	0636.102.270	0636 102 270 01	HEXAGON SCREW	1		Z00009177410	M10X60		
638	0636.102.270	0636 102 270 01	HEXAGON SCREW	1		Z00009177410	M10X60		
642	0636.102.270	0636 102 270 01	HEXAGON SCREW	1		Z00009177410	M10X60		
646	0636.102.270	0636 102 270 01	HEXAGON SCREW	1		Z00009177410	M10X60		
650	0636.102.270	0636 102 270 01	HEXAGON SCREW	1		Z00009177410	M10X60		
654	0636.102.270	0636 102 270 01	HEXAGON SCREW	1		Z00009177410	M10X60		
658	0636.102.270	0636 102 270 01	HEXAGON SCREW	1		Z00009177410	M10X60		
662	0636.102.270	0636 102 270 01	HEXAGON SCREW	1		Z00009177410	M10X60		
666	0636.102.270	0636 102 270 01	HEXAGON SCREW	1		Z00009177410	M10X60		
670	0636.102.270	0636 102 270 01	HEXAGON SCREW	1		Z00009177410	M10X60		
674	0636.102.270	0636 102 270 01	HEXAGON SCREW	1		Z00009177410	M10X60		
678	0636.102.270	0636 102 270 01	HEXAGON SCREW	1		Z00009177410	M10X60		
680	0636.100.433		HEXAGON SCREW	1		Z00009178010	M10X40		
686	0636.102.270	0636 102 270 01	HEXAGON SCREW	1		Z00009177410	M10X60		
688	0636.102.270	0636 102 270 01	HEXAGON SCREW	1		Z00009177410	M10X60		
690	0636.102.270	0636 102 270 01	HEXAGON SCREW	1		Z00009177410	M10X60		
692	0636.102.270	0636 102 270 01	HEXAGON SCREW	1		Z00009177410	M10X60		

Technical Cover

Page 1 from 3

Material number: 1356.008.013



16 S 233 TD IT /

Pos.	Information	Amendment number
001	Use case -----	
002	Customer DAF TRUCKS N.V.	
003	City EINDHOVEN	
004	DUNS 41-579-9402	
005	Product description -----	
006	INSTALLATION POS TRANSMISSION HORIZONTAL LEFT	
007	TRANSMISSION ATTACHMENT FLANGE-MOUNTED	
012	ATTACHMENT VARIANT, INTARDER ASSEMBLED	
013	NUMBER OF GEARS 16	
014	RATIO, BOTTOM GEAR 16.41	
015	RATIO, TOP GEAR 1	
016	SET OF RATIOS DG	
017	NOTE ON TYPE OF GEAR SHIFT SYS TURNING SHAFT	
018	POSITION, GEAR SHIFT SYSTEM HORIZONTAL LEFT	
019	DESIGN, SHIFT PATTERN UEH	
020	VERSION SHIFT SUPPORT SERVO	
021	VERSION ACTUATION SHIFT SYSTEM MECHANICAL	
022	DESIGN, SHIFT SYSTEM E13MP	
023	DESIGN PSE PSE2	
025	DESIGN, VALVE BLOCK MIT LUFTVERTEILER	
029	DESIGN 1TH GEAR/REVERSE GEAR FORK	
030	DESIGN AIR SHUT-OFF GV-VALVE	
031	DIA.THROTTLE VALVE AIR SUPPLY 1.3 mm	
032	SELECTION PATTERN VARIANT GEAR SHIFT PATTERN 1	
033	VERSION OF SYNCHRONIZER 1 1+2 GEAR BK-SYNCHR.MOLYBDAEN	
034	VERSION OF SYNCHRONIZER 2 3+4 GEAR BK-SYNCHR.MOLYBDAEN	
035	REFERENCE LENGTH INPUT SHAFT 109 mm	
036	STANDARD TYPE INPUT SHAFT SAE	
037	NUMBER OF WEDGES INPUT SHAFT 10	
038	VERSION OF INPUT SHAFT FORM C	
039	NOMINAL DIAMETER INPUT SHAFT 2 in	
040	DIAMETER, JOURNAL, INPUT SHAFT 25 mm	
041	TYPE FIT SPIGOTS INPUT SHAFT F7	



Pos.	Information	Amendment number
042	VER. BEAR. SPIGOTS INPUT SHAFT TAPER ROLLER	
045	DESIGN,CONN., CLUTCH HOUSING SAE 1	
046	CENTR.DIA,HSG/ENGINE CONNECT. 511.175 mm	
047	NUMBER OF BORES,ENGINE CONN. 12	
048	BORE DIA, ENGINE CONNECTION 11 mm	
049	DESIGN, RELEASE SHAFT	
050	WIDTH ACROSS FLATS,RELEAS.FORK 116 mm	
053	REF.LENGTH,RELEASE BEAR.FLAN -24.2 mm	
054	DIAMETER, RELEASE FLANGE 62.62 mm	
055	DESIGN RELEASE CYLINDER WITHOUT GROOVE	
056	OUTER DIA. OUTPUT FLANGE RA 180 mm	
058	NO.OF SCREWS OUTPUT FLANGE RA 4	
060	DIA. THREAD OUTPUT FL. SCR. RA M14	
062	THREAD LENGTH OUTP.FL SCREW RA 50 mm	
064	DIMENSION SHIFT TURRET DIST. 300 mm	
065	MEAS. LOC. SHIFT TURRET DIST. SHIFT LEVER-LOCATION	
066	SELECTOR LEVER n	
071	G.SHIFT LEVER n	
075	SHIFT LEVER CONNECTION GROVE	
082	SPRING ARRANGEMENT Q1	
083	SPRING FORCE DETENT PLUNGER RG 200 N	
086	SELECTOR SPRING FORCE, OUTSIDE 100 N	
094	SWITCH, REVERSE GEAR y	
095	DESIGN, RG (REV.GEAR) SWITCH CLOSING	
096	DESIGN, CONNECTION, RG SWITCH DIN BAYONET	
097	CODE SWITCH RG A2	
098	PROT.CAP SWITCH, REVERSE GEAR y	
099	SWITCH, NEUTRAL GEAR y	
100	DESIGN,NG(NEUTRAL GEAR)SWITCH CLOSING	
101	DESIGN, CONNECTION, NG SWITCH DIN BAYONET	
102	CODE SWITCH NG A1	
103	PROT.CAP SWITCH, NEUTRAL GEAR y	
104	PRESSURE SWITCH n	



Pos.	Information	Amendment number
109	RG-GATE-IDENTIFICATION SWITCH n	
119	SWITCH GP y	
120	DESIGN, GP SWITCH CLOSING	
121	DESIGN, CONNECTION, GP SWITCH DIN BAYONET	
122	CODE SWITCH GP A1	
123	PROTECTING CAP GP SWITCH y	
129	SWITCH GV y	
130	DESIGN, GV SWITCH CLOSING	
131	DESIGN, CONNECTION, GV SWITCH DIN BAYONET	
132	PROTECTING CAP GV SWITCH y	
133	CODE SWITCH GV A1	
134	SWITCH HG n	
135	DESIGN, HG (TOP GEAR) SWITCH PREPARED	
139	SWITCH 1 GEAR n	
144	ATTACHM.POS.HEAT EXCHANGER IN FRONT RIGHT	
145	DES.CONN.HEAT EXCHANGER PREPARED	
146	VER. TRANSMISSION VENTILATION PREPARED	
158	PULSE SENSOR INTARDER WITH	
159	PULSE RATE PULSE SENS INTARDER 12.21 IMP/U	
160	PROT.CAP PULSE SENSOR INTARDER y	
161	DES.CONN. PULSE SENSOR INTARDER DIN BAYONET	
162	DESIGN PULSE SENSOR INTARDER KITAS II	
175	Documents -----	
176	TURN.SHAFT CONT Drawing 1341.173.026	
177	TURN.SHAFT CONT Assembly 1341.173.026	
178	SECTION DRAWING Drawing 1356.001.002	
179	SET OF SPRINGS Drawing 1341.149.020	

Assembly group overview

Page 1 from 2



Material number: 1356.008.013

16 S 2331 TD /

Graphics	Pos.	Material number	Name	Quantity	Amend. no.	Techn. Info.
161.01.06-1	110	1356.101.002	TRANSMISSION HOUSING	1		
161.01.81-1	180	1325.101.817	CLUTCH HOUSING	1		
161.02.05-1	10	1367.102.004	INPUT SHAFT	1		
161.02.80-1	240	1325.102.802	CONNECTION PLATE	1		
161.02.01-1	910	1325.102.016	CONNECTION PLATE	1		
161.03.02-1	20	1356.103.001	COUNTERSHAFT	1		
161.04.07-1	30	1356.104.018	MAIN SHAFT	1		
161.05.01-1	130	1325.105.001	RETURN	1		
161.06.04-1	40	1356.106.001	TRANSMISSION SHIFT SYSTEM	1		
161.06.02-1	44	1325.106.803	TRANSMISSION SHIFT SYSTEM	1		
161.06.82-1	410	1325.106.401	SWITCH	1		
068.07.81-1	460	1316.108.828	GEAR SHIFT HOUSING	1		
068.07.46-1	910	1341.108.001	GEAR SHIFT HOUSING	1		
161.07.41-1	914	1341.108.404	GEARSHIFT SHAFT	1		
068.07.82-1	924	1341.108.002	DETENT	1		
068.07.83-1	930	1341.108.800	COVER	1		
062.08.30-1	954	1316.171.403	END COVER	1		
068.08.02-1	960	1316.171.406	PNEUMATIC SERVO UNIT	1		
161.09.11-1	934	1325.109.006	VALVE BLOCK	1		
161.09.03-1	940	1325.109.402	SWITCH	1		
161.10.04-1	200	1356.110.002	OIL SUPPLY	1		
161.10.01-1	920	1325.110.005	PUMP	1		
068.12.24-1	920	1341.149.003	SET OF SPRINGS	1		
161.28.01-1	370	1325.128.807	PLANETARY RANGE	1		
161.40.01-1	50	1356.112.001	GV-SHIFT SYSTEM	1		
161.40.80-1	340	1325.112.811	GV-SHIFT SYSTEM	1		
161.40.41-1	380	1325.112.401	SWITCH	1		
161.43.02-1	40	1325.131.007	RC HOUSING	1		
161.43.40-1	50	1325.131.401	CLOSING COMPONENTS	1		
161.44.01-1	10	1325.132.003	PLANETARY DRIVE	1		
161.44.41-1	60	1325.132.406	OUTPUT FLANGE	1		
161.45.02-1	20	1325.133.005	SYNCHRONIZER	1		

Assembly group overview

Page 2 from 2



Material number: 1356.008.013

16 S 2331 TD /

Graphics	Pos.	Material number	Name	Quantity	Amend. no.	Techn. Info.
161.46.01-1	30	1325.134.007	GP SHIFT SYSTEM	1		
161.46.40-1	400	1325.134.404	SWITCH	1		
161.57.01-1	510	1325.145.003	RANGE SELECTION	1		
161.70.07-1	480	1356.170.005	SHUT-OFF VALVE	1		
161.90.08	320	1325.147.009	SCREW PLUG	1		
161.93.25-1	260	1325.168.005	CLUTCH RELEASE DEVICE	1		
161.93.17-1	262	1315.301.230	PROTECTION CAP	1		

Plant

Page 1 from 2

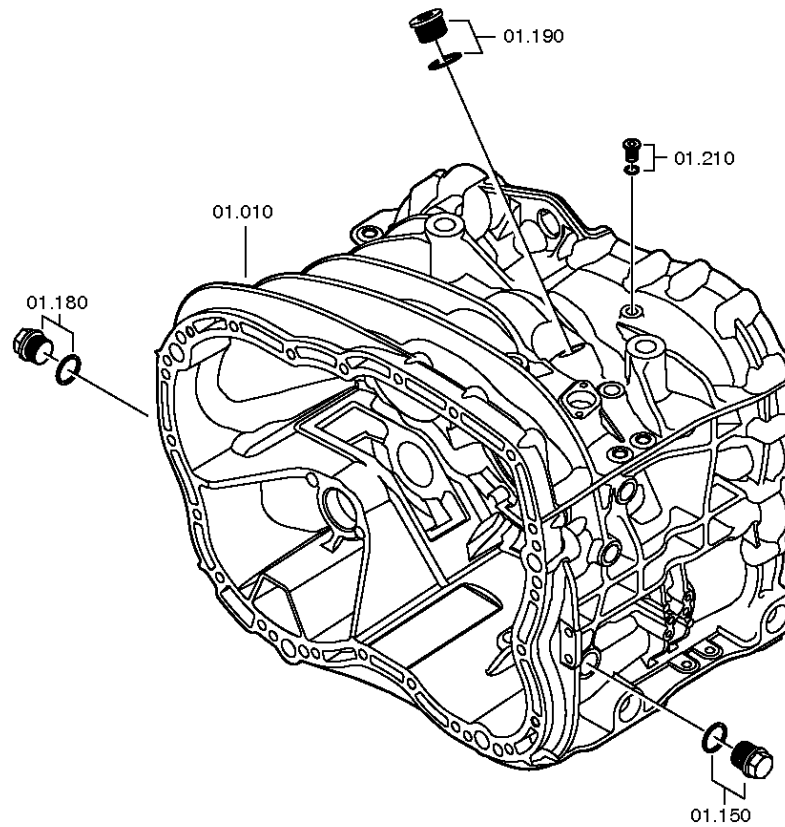
Material number: 1356.008.013

Plant: 161.01.06-1

TRANSMISSION HOUSING



16 S 2331 TD /
TRANSMISSION HOUSING



Plant

Page 2 from 2

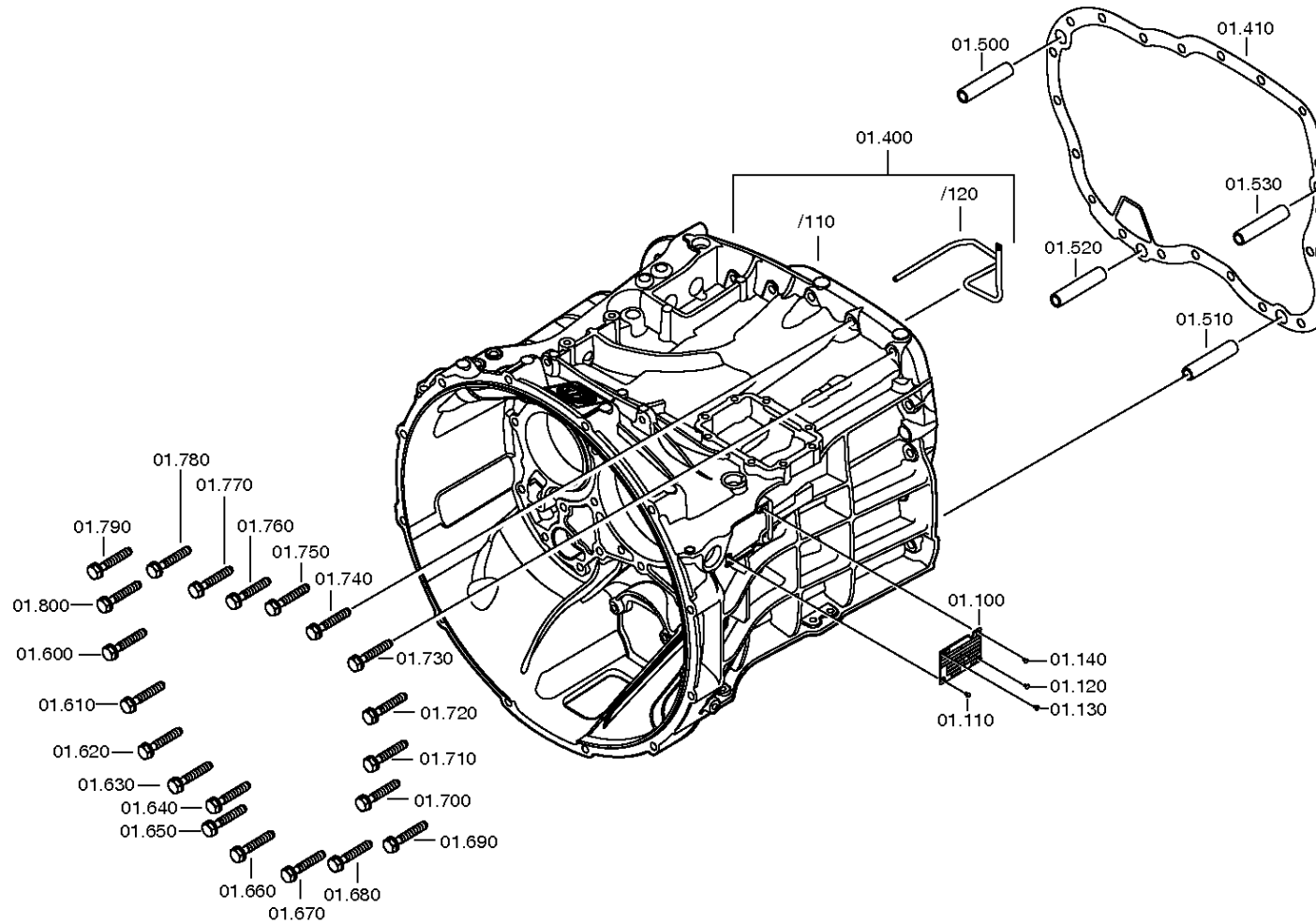
Material number: 1356.008.013

Plant: 161.01.81-1

TRANSMISSION HOUSING



16 S 2331 TD /
TRANSMISSION HOUSING



Parts list

Page 1 from 2



16 S 2331 TD /

Material number: 1356.008.013

Plant: 161.01.06-1

Material-assembly-group-no: 1356.101.002

Pos.	Material number	Customer material	Name	Quantity	ME	Amend. no.	Techn. Info.	Rep kit	Alternative material
10	1325.201.033	1860632	TRANSMISSION HOUSING	1		Z00008470911	KPL.BEARBEITET*GP-ANZ*HG-ANZ		
100	---		TYPE PLATE	1		Z00018655310	KONZERN		
---	0730.365.241		TYPE PLATE	1			EINHEITSSCH. VERDREHSICHER		
---	0730.365.259		TYPE PLATE	1			EINHEITSSCH.VERDREHSICHER BRASILIE		
---	0730.365.267		TYPE PLATE	1			CHINA		
---	0730.300.258		TYPE PLATE	1			EINHEITSSCH.VERDREHSICHER		
---	0730.365.271		TYPE PLATE	1			RUSSLAND/ KYRILLISCH		
---	0730.365.257		TYPE PLATE	1			S.S.CH IRAN		
---	0730.365.800		TYPE PLATE	1		Z00015972510			
110	0731.300.027		BLIND RIVET	1		Z00018655310			
120	0731.300.027		BLIND RIVET	1		Z00018655310			
130	0731.300.027		BLIND RIVET	1		Z00018655310			
140	0731.300.027		BLIND RIVET	1		Z00018655310			
150	---		SCREW PLUG	1		Z00010112111	60N.M*DICHTRING M24X1,5		
---	0636.304.088	1882905	SCREW PLUG	1		Z00010112110	M24X1,5		
---	0730.008.637	1428103	SEALING RING	1		Z00010112110	24X29		
180	---		SCREW PLUG	1		Z00010112111	60N.M*DICHTRING M24X1,5		
---	0636.304.088	1882905	SCREW PLUG	1		Z00010112110	M24X1,5		
---	0730.008.637	1428103	SEALING RING	1		Z00010112110	24X29		
190	---		SCREW PLUG	1		Z00010164412	70N.M*DICHTRING M26X1,5		
---	0636.100.811		SCREW PLUG	1		Z00010164420	M26X1,5		
---	0634.801.249		SEALING RING	1		Z00010164420	26X31		
210	---		SCREW PLUG	1			10N.M*DICHTRING M10X1		
---	0636.100.793		SCREW PLUG	1		Z00010111613	M10X1		
---	0730.008.055		SEALING RING	1			10X14		
400	1325.201.026	1855688	CLUTCH HOUSING	1		Z00018655310	SAE D=11*ABSTZG.2X D=9*GV*M8* LEITG*UNBEARB.SENSOR/SCHUTZBL		
410	0501.322.776		GASKET	1		Z00018655310			
500	0731.201.563	1290941	CYLINDRICAL PIN	1		Z00018655310			
510	0731.201.563	1290941	CYLINDRICAL PIN	1		Z00018655310			
520	0731.201.563	1290941	CYLINDRICAL PIN	1		Z00018655310			
530	0731.201.563	1290941	CYLINDRICAL PIN	1		Z00018655310			
600	0636.016.405		HEXAGON SCREW	1		Z00018655310	M10X60		

Parts list

Page 2 from 2



16 S 2331 TD /

Material number: 1356.008.013

Plant: 161.01.06-1

Material-assembly-group-no: 1356.101.002

Pos.	Material number	Customer material	Name	Quantity	ME	Amend. no.	Techn. Info.	Rep kit	Alternative material
610	0636.016.405		HEXAGON SCREW	1		Z00018655310	M10X60		
620	0636.016.405		HEXAGON SCREW	1		Z00018655310	M10X60		
630	0636.016.405		HEXAGON SCREW	1		Z00018655310	M10X60		
640	0636.016.405		HEXAGON SCREW	1		Z00018655310	M10X60		
650	0636.016.405		HEXAGON SCREW	1		Z00018655310	M10X60		
660	0636.016.405		HEXAGON SCREW	1		Z00018655310	M10X60		
670	0636.016.405		HEXAGON SCREW	1		Z00018655310	M10X60		
680	0636.016.405		HEXAGON SCREW	1		Z00018655310	M10X60		
690	0636.016.405		HEXAGON SCREW	1		Z00018655310	M10X60		
700	0636.016.405		HEXAGON SCREW	1		Z00018655310	M10X60		
710	0636.016.405		HEXAGON SCREW	1		Z00018655310	M10X60		
720	0636.016.405		HEXAGON SCREW	1		Z00018655310	M10X60		
730	0636.016.405		HEXAGON SCREW	1		Z00018655310	M10X60		
740	0636.016.405		HEXAGON SCREW	1		Z00018655310	M10X60		
750	0636.016.405		HEXAGON SCREW	1		Z00018655310	M10X60		
760	0636.016.405		HEXAGON SCREW	1		Z00018655310	M10X60		
770	0636.016.405		HEXAGON SCREW	1		Z00018655310	M10X60		
780	0636.016.405		HEXAGON SCREW	1		Z00018655310	M10X60		
790	0636.016.405		HEXAGON SCREW	1		Z00018655310	M10X60		
800	0636.016.405		HEXAGON SCREW	1		Z00018655310	M10X60		

Plant

Page 1 from 3

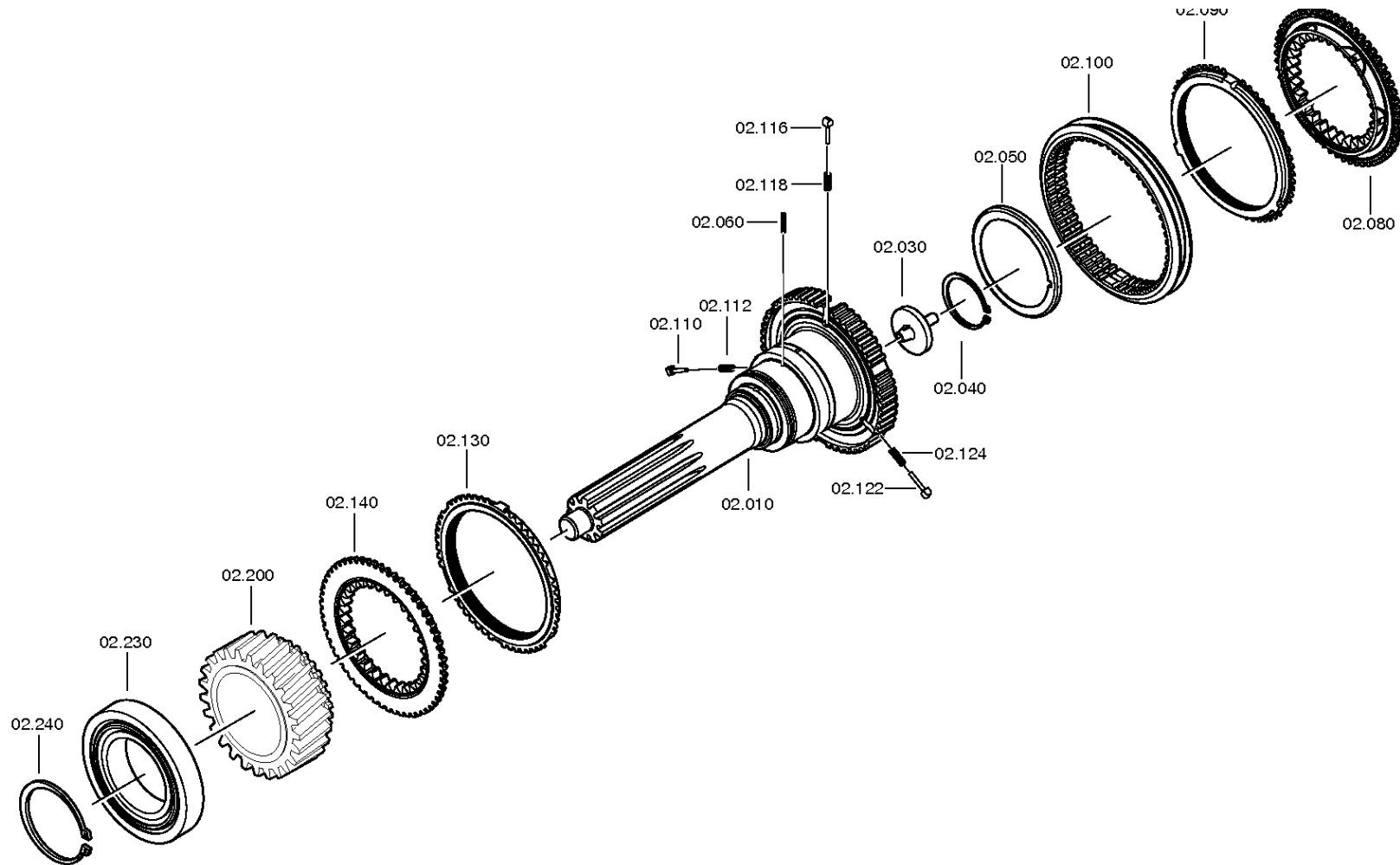
Material number: 1356.008.013

Plant: 161.02.05-1

CONNECTION PLATE



16 S 2331 TD /
INPUT SHAFT



Plant

Page 2 from 3

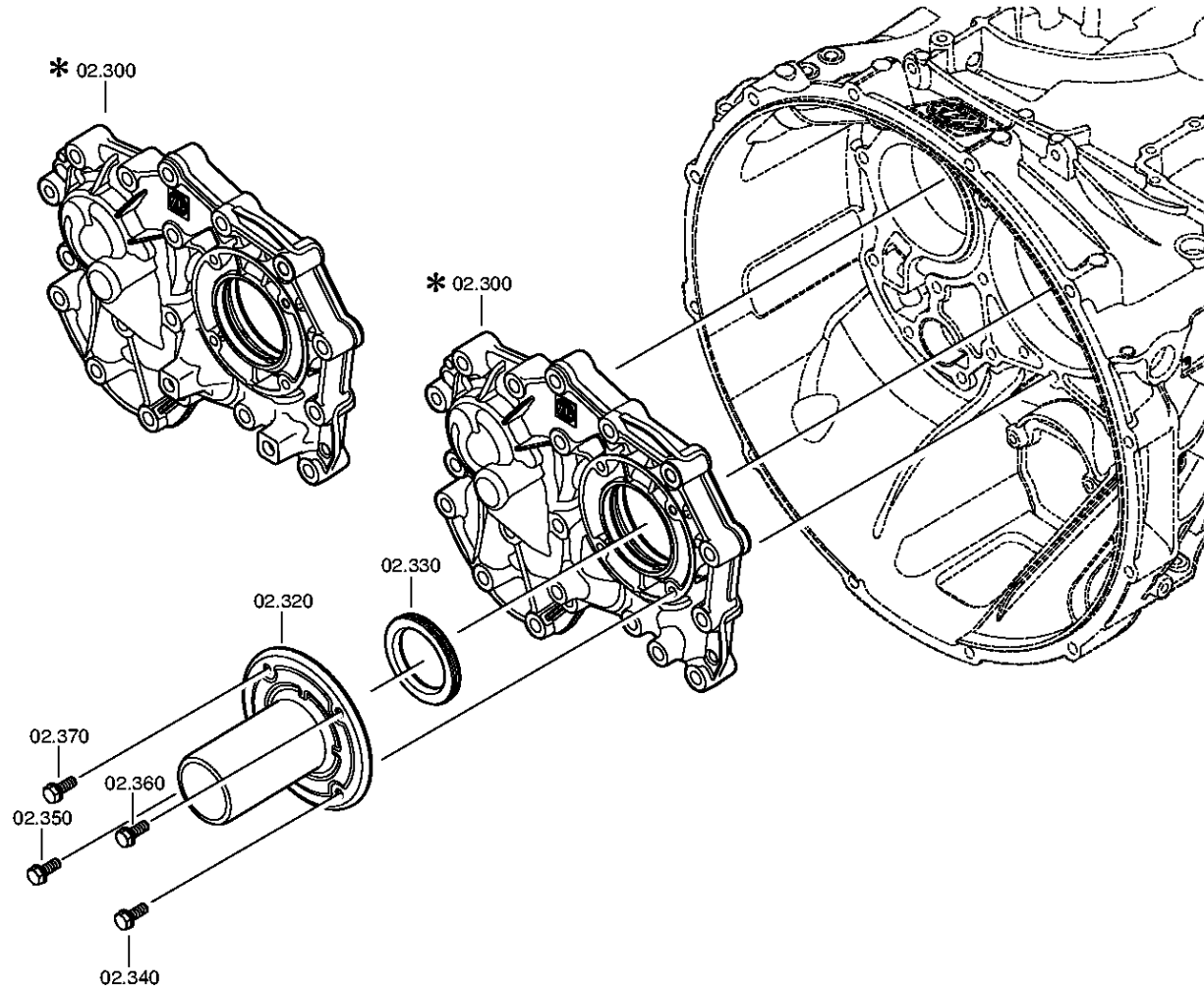
Material number: 1356.008.013

Plant: 161.02.01-1

CONNECTION PLATE



16 S 2331 TD /
INPUT SHAFT



Plant

Page 3 from 3

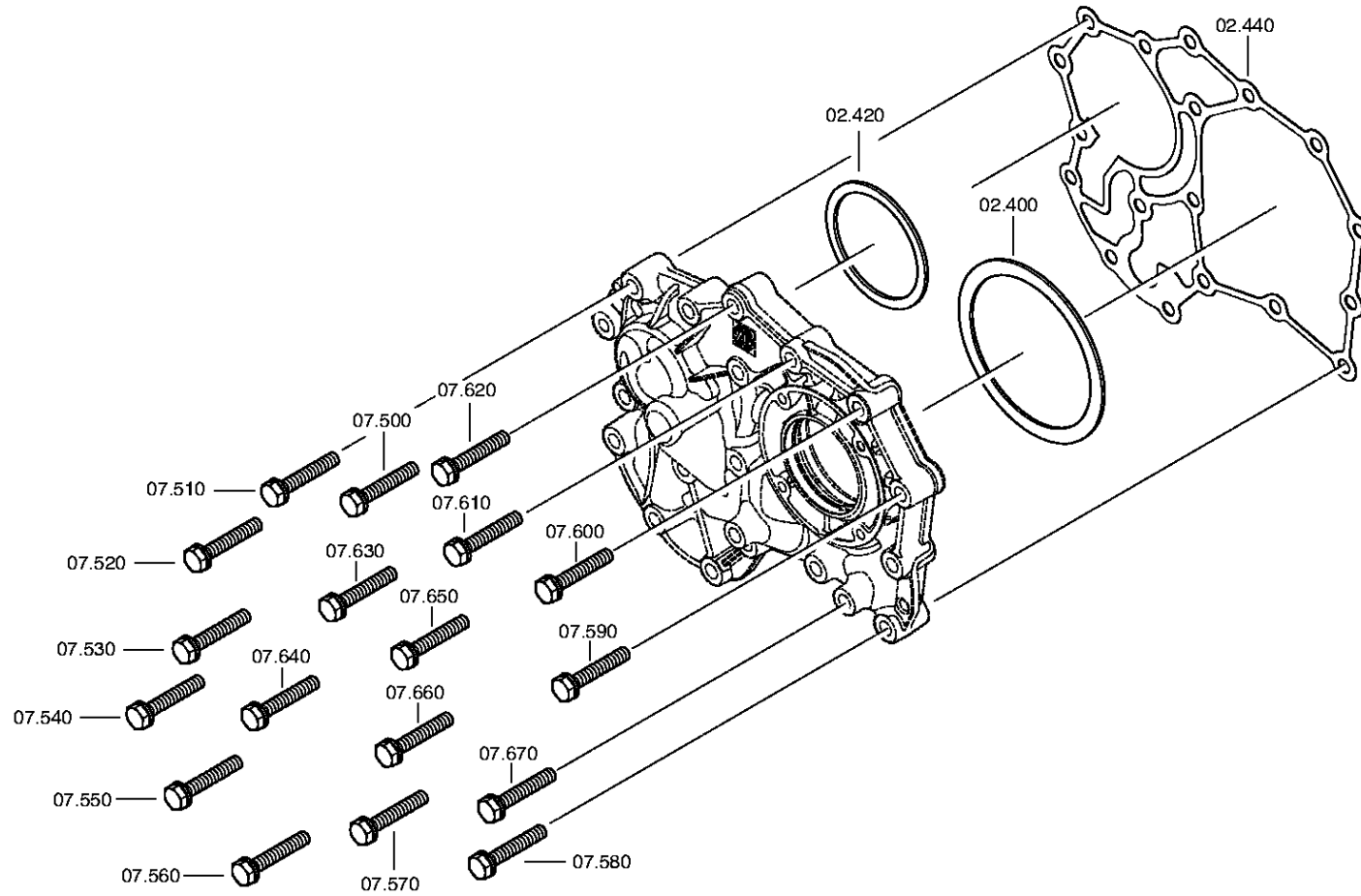
Material number: 1356.008.013

Plant: 161.02.80-1

CONNECTION PLATE



16 S 2331 TD /
INPUT SHAFT



Parts list

Page 1 from 4



16 S 2331 TD /

Material number: 1356.008.013

Plant: 161.02.05-1

Material-assembly-group-no: 1367.102.004

Pos.	Material number	Customer material	Name	Quantity	ME	Amend. no.	Techn. Info.	Rep kit	Alternative material
10	1356.302.100		INPUT SHAFT	1		Z00011537227			
30	1354.302.019		TUBE	1					
40	0630.502.027	100CP3461	RETAINING RING	1			50X2		
50	0750.101.179	1896784	OIL DAM	1		Z00007187910	77,0X95,5X6,0		
60	0631.328.659		SLOTTED PIN	1			4X30		
80	1316.304.190	1831990	CLUTCH BODY	1		Z00012049010	ZF-BK 144 O		
90	1316.304.189	1832004	SYNCHORING	1			ZF-BK 144		
100	1356.304.023	1833891	SLIDING SLEEVE	1		Z00011717310	ZF-BK 144		
110	1297.304.436	0068332	PRESSURE PART	1					
112	0732.040.409	0171349	COMPRESSION SPRING	1					
116	1297.304.436	0068332	PRESSURE PART	1					
118	0732.040.409	0171349	COMPRESSION SPRING	1					
122	1297.304.436	0068332	PRESSURE PART	1					
124	0732.040.409	0171349	COMPRESSION SPRING	1					
130	1316.304.189	1832004	SYNCHORING	1			ZF-BK 144		
140	1316.304.190	1831990	CLUTCH BODY	1		Z00012049010	ZF-BK 144 O		
200	1316.302.066	1369642	HELICAL GEAR	1			ENTHALT.IN 1316 302 026(1)		
230	0750.117.732	5 8301 0	TAPERED ROLLER BEARING	1			85,0X150,0X30,5		
240	0730.501.598		RETAINING RING	1			85X4		
300	1325.302.052	1869862	CONNECTION PLATE	1					
320	1325.302.029	1869863	GUIDE TUBE	1					
330	---		SHAFT SEAL	1			55X78X8		
---	0734.310.435	1831926	SHAFT SEAL	1			55X78X8 FA.CFW		
340	0636.100.466		SCREW WITH WASHER ASSEMBLY	1		Z00009178210	M8X22		
350	0636.100.466		SCREW WITH WASHER ASSEMBLY	1		Z00009178210	M8X22		
360	0636.100.466		SCREW WITH WASHER ASSEMBLY	1		Z00009178210	M8X22		
370	0636.100.466		SCREW WITH WASHER ASSEMBLY	1		Z00009178210	M8X22		
400	---		SHIM	1			H= 0,90- 2,40(ABSTUFUNG:0,05MM)		
---	2050.309.094		SHIM	1			A=2,2 IN 2050 309 090 C45E WW.F500 ZFN410		

Parts list

Page 2 from 4



16 S 2331 TD /

Material number: 1356.008.013

Plant: 161.02.05-1

Material-assembly-group-no: 1367.102.004

Pos.	Material number	Customer material	Name	Quantity	ME	Amend. no.	Techn. Info.	Rep kit	Alternative material
---	0730.007.489		SHIM	1			A=2,15 IN 2050 309 090(2)		
---	0730.007.488		SHIM	1			A=2,10 IN 2050 309 090(2)		
---	0730.007.487		SHIM	1			A=2,05 IN 2050 309 090(2)		
---	0730.007.486		SHIM	1			A=2,00 IN 2050 309 090(2)		
---	0730.007.485		SHIM	1			A=1,95 IN 2050 309 090(2)		
---	0730.007.484	0730007484	SHIM	1			A=1,90 IN 2050 309 090(2)		
---	0730.007.483		SHIM	1			A=1,85 IN 2050 309 090(2)		
---	0730.007.482		SHIM	1			A=1,80 IN 2050 309 090(2)		
---	0730.007.481		SHIM	1			A=1,75 IN 2050 309 090(2)		
---	0730.007.480	1833896	SHIM	1			A=1,70 IN 2050 309 090(2)		
---	0730.007.479		SHIM	1			A=1,65 IN 2050 309 090(2)		
---	0730.007.136	1290955	SHIM	1			A=1,60 IN 2050 309 090(2)		
---	0730.007.135		SHIM	1			A=1,55 IN 2050 309 090(2)		
---	0730.007.134		SHIM	1			A=1,50 IN 2050 309 090(2)		
---	0730.007.133		SHIM	1			A=1,45 IN 2050 309 090(2)		
---	0730.007.132		SHIM	1			A=1,40 IN 2050 309 090(2)		
---	0730.007.131		SHIM	1			A=1,35 IN 2050 309 090(2)		
---	0730.007.130		SHIM	1			A=1,30 IN 2050 309 090(2)		
---	0730.007.129		SHIM	1			A=1,25 IN 2050 309 090(2)		
---	2050.309.034		SHIM	1			A=1,2 IN 2050 309 090 C45E WW.F500 ZFN410		
---	0730.007.128		SHIM	1			A=1,15 IN 2050 309 090(2)		
---	0730.007.127		SHIM	1			A=1,10 IN 2050 309 090(2)		
---	0730.007.126		SHIM	1			A=1,05 IN 2050 309 090(2)		
---	2050.309.065		SHIM	1			A=1,0 IN 2050 309 090 C45E WW.F500 ZFN410		
---	0730.005.749		SHIM	1			A=0,95 IN 2050 309 090(2)		
---	0730.005.748	5 5258 0	SHIM	1			A=0,90 IN 2050 309 090(2)		
---	0730.301.503		SHIM	1			h=2,25		
---	0730.301.504		SHIM	1			h=2,30		
---	0730.301.505		SHIM	1			h=2,35		
---	0730.301.506		SHIM	1			h=2,40		
420	---		SHIM	1			H= 1,85- 3,25(ABSTUFUNG:0,05MM)		
---	0730.112.938		SHIM	1		C01007375C10	A=3,25		

Parts list

Page 3 from 4



16 S 2331 TD /

Material number: 1356.008.013

Plant: 161.02.05-1

Material-assembly-group-no: 1367.102.004

Pos.	Material number	Customer material	Name	Quantity	ME	Amend. no.	Techn. Info.	Rep kit	Alternative material
---	0730.112.937		SHIM	1		C01007375C10	A=3,20		
---	0730.112.936		SHIM	1		C01007375C10	A=3,15		
---	0730.112.935		SHIM	1		C01007375C10	A=3,10		
---	0730.106.860	ZF-0730 106 860	SHIM	1		C01007375C10	A=3,05 IN 0730 106 904(2)		
---	0730.106.917	ZF-0730 106 917	SHIM	1			A=3,00 IN 0730 106 904(2)		
---	0730.106.916	1833921	SHIM	1			A=2,95 IN 0730 106 904(2)		
---	0730.106.915	1833920	SHIM	1			A=2,90 IN 0730 106 904(2)		
---	0730.106.914	1833919	SHIM	1			A=2,85 IN 0730 106 904(2)		
---	0730.106.913	1833918	SHIM	1			A=2,80 IN 0730 106 904(2)		
---	0730.106.912		SHIM	1			A=2,75 IN 0730 106 904(2)		
---	0730.106.911	1833917	SHIM	1			A=2,70 IN 0730 106 904(2)		
---	0730.106.910	1833916	SHIM	1			A=2,65 IN 0730 106 904(2)		
---	0730.106.909	1833915	SHIM	1			A=2,60 IN 0730 106 904(2)		
---	0730.106.908	1833914	SHIM	1			A=2,55 IN 0730 106 904(2)		
---	0730.100.799		SHIM	1			A=2,50 IN 0730 106 904(2)		
---	0730.100.800	1833898	SHIM	1			A=2,45 IN 0730 106 904(2)		
---	0730.100.801	ZF-0730 100 801	SHIM	1			A=2,40 IN 0730 106 904(2)		
---	0730.100.802	1833900	SHIM	1			A=2,35 IN 0730 106 904(2)		
---	0730.100.803	1833905	SHIM	1			A=2,30 IN 0730 106 904(2)		
---	0730.101.466	ZF-0730 101 466	SHIM	1			A=2,25 IN 0730 106 904(2)		
---	0730.101.467	1833906	SHIM	1			A=2,20 IN 0730 106 904(2)		
---	0730.101.468	1833907	SHIM	1			A=2,15 IN 0730 106 904(2)		
---	0730.101.469	1833909	SHIM	1			A=2,10 IN 0730 106 904(2)		
---	0730.101.470	1833910	SHIM	1			A=2,05 IN 0730 106 904(2)		
---	0730.101.471		SHIM	1			A=2,00 IN 0730 106 904(2)		
---	0730.106.907	1833912	SHIM	1			A=1,95 IN 0730 106 904(2)		
---	0730.106.906	1833911	SHIM	1			A=1,90 IN 0730 106 904(2)		
---	0730.106.905		SHIM	1			A=1,85 IN 0730 106 904(2)		
440	0501.324.454		GASKET	1		C01005568F10			
500	0636.102.270	0636 102 270 01	HEXAGON SCREW	1		Z00009177410	M10X60		
510	0636.102.270	0636 102 270 01	HEXAGON SCREW	1		Z00009177410	M10X60		
520	0636.102.270	0636 102 270 01	HEXAGON SCREW	1		Z00009177410	M10X60		
530	0636.102.270	0636 102 270 01	HEXAGON SCREW	1		Z00009177410	M10X60		
540	0636.102.270	0636 102 270 01	HEXAGON SCREW	1		Z00009177410	M10X60		

Parts list

Page 4 from 4



16 S 2331 TD /

Material number: 1356.008.013

Plant: 161.02.05-1

Material-assembly-group-no: 1367.102.004

Pos.	Material number	Customer material	Name	Quantity	ME	Amend. no.	Techn. Info.	Rep kit	Alternative material
550	0636.102.270	0636 102 270 01	HEXAGON SCREW	1		Z00009177410	M10X60		
560	0636.102.270	0636 102 270 01	HEXAGON SCREW	1		Z00009177410	M10X60		
570	0636.102.270	0636 102 270 01	HEXAGON SCREW	1		Z00009177410	M10X60		
580	0636.102.270	0636 102 270 01	HEXAGON SCREW	1		Z00009177410	M10X60		
590	0636.102.270	0636 102 270 01	HEXAGON SCREW	1		Z00009177410	M10X60		
600	0636.102.270	0636 102 270 01	HEXAGON SCREW	1		Z00009177410	M10X60		
610	0636.102.270	0636 102 270 01	HEXAGON SCREW	1		Z00009177410	M10X60		
620	0636.102.270	0636 102 270 01	HEXAGON SCREW	1		Z00009177410	M10X60		
630	0636.102.270	0636 102 270 01	HEXAGON SCREW	1		Z00009177410	M10X60		
640	0636.102.270	0636 102 270 01	HEXAGON SCREW	1		Z00009177410	M10X60		
650	0636.102.270	0636 102 270 01	HEXAGON SCREW	1		Z00009177410	M10X60		
660	0636.102.270	0636 102 270 01	HEXAGON SCREW	1		Z00009177410	M10X60		
670	0636.102.270	0636 102 270 01	HEXAGON SCREW	1		Z00009177410	M10X60		

Plant

Page 1 from 1

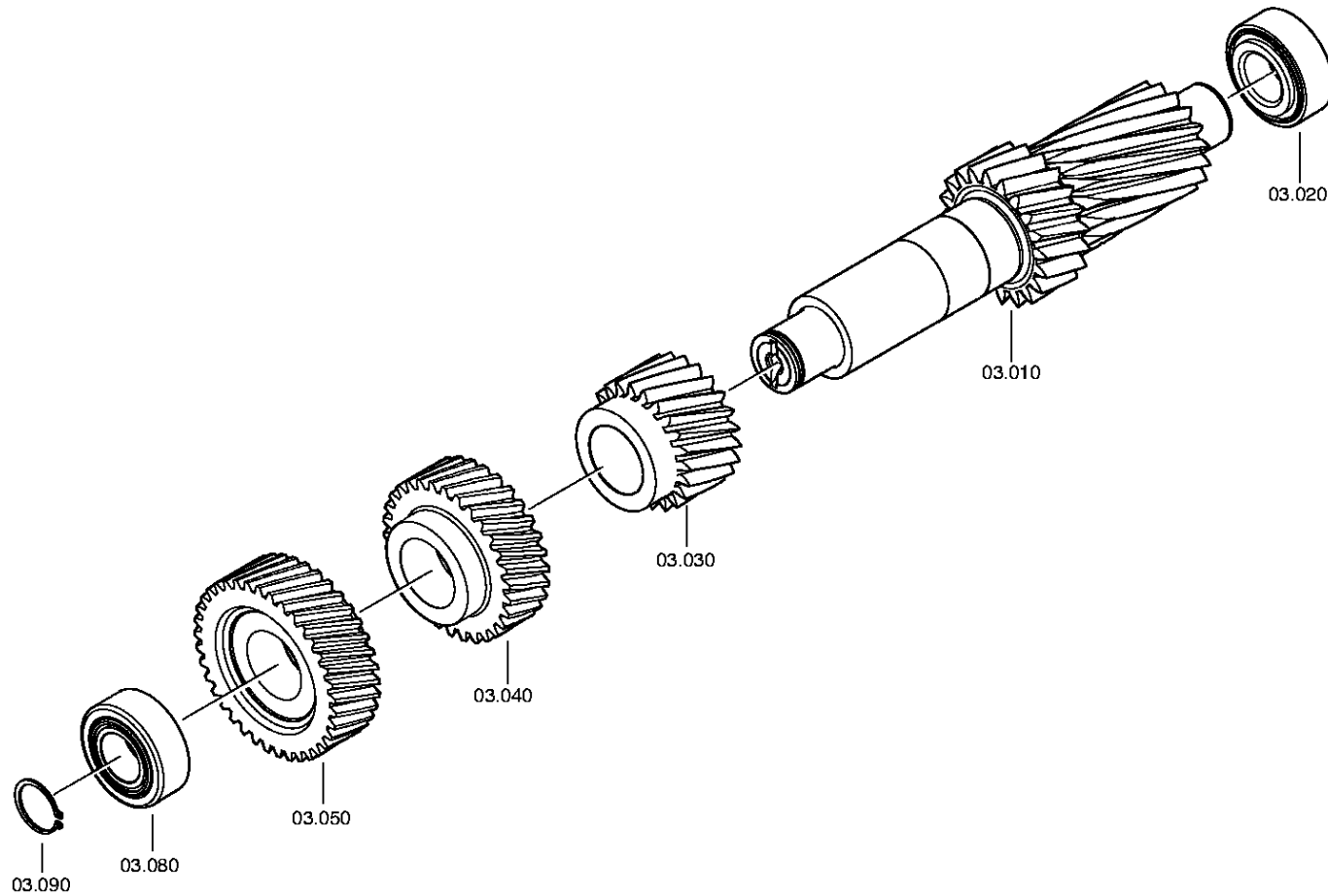
Material number: 1356.008.013

Plant: 161.03.02-1

Material-assembly-group-no: 1356.103.001



16 S 2331 TD /
COUNTERSHAFT



Parts list

Page 1 from 1



16 S 2331 TD /

Material number: 1356.008.013

Plant: 161.03.02-1

Material-assembly-group-no: 1356.103.001

Pos.	Material number	Customer material	Name	Quantity	ME	Amend. no.	Techn. Info.	Rep kit	Alternative material
10	1316.303.033	5 5340 0	COUNTERSHAFT	1			ENTHALT.IN 1316 303 032(0)		
20	0750.117.009	8 8449 0	TAPERED ROLLER BEARING	1			49,2X103,1X43,6		
30	1316.303.040		HELICAL GEAR	1			3G*Z26 IN 1312 303 018(1)		
40	1316.303.065	1360899	HELICAL GEAR	1			Z35 IN 1312 303 013(1)		
50	1316.303.030		HELICAL GEAR	1			KON/Z39 IN 1316 303 029(1)		
80	0750.117.009	8 8449 0	TAPERED ROLLER BEARING	1			49,2X103,1X43,6		
90	---		RETAINING RING	1			H= 2,40- 3,00(ABSTUFUNG:0,05MM)		
---	0630.531.065	8603574	RETAINING RING	1			50X3		
---	0630.501.111		RETAINING RING	1			50X2,95		
---	0630.501.112	0002640551	RETAINING RING	1			50X2,9		
---	0630.501.113		RETAINING RING	1			50X2,85		
---	0630.501.114	0002641451	RETAINING RING	1			50X2,8		
---	0630.501.115		RETAINING RING	1			50X2,75		
---	0630.501.116	0002641351	RETAINING RING	1			50X2,7		
---	0630.501.117	0140310	RETAINING RING	1			50X2,65		
---	0630.501.118	0002641251	RETAINING RING	1			50X2,6		
---	0630.501.160		RETAINING RING	1			50X2,55		
---	0630.531.064	1663657	RETAINING RING	1			50X2,5		
---	0630.501.159		RETAINING RING	1			50X2,45		
---	0630.501.148	0002641051	RETAINING RING	1			50X2,4		

Plant

Page 1 from 2

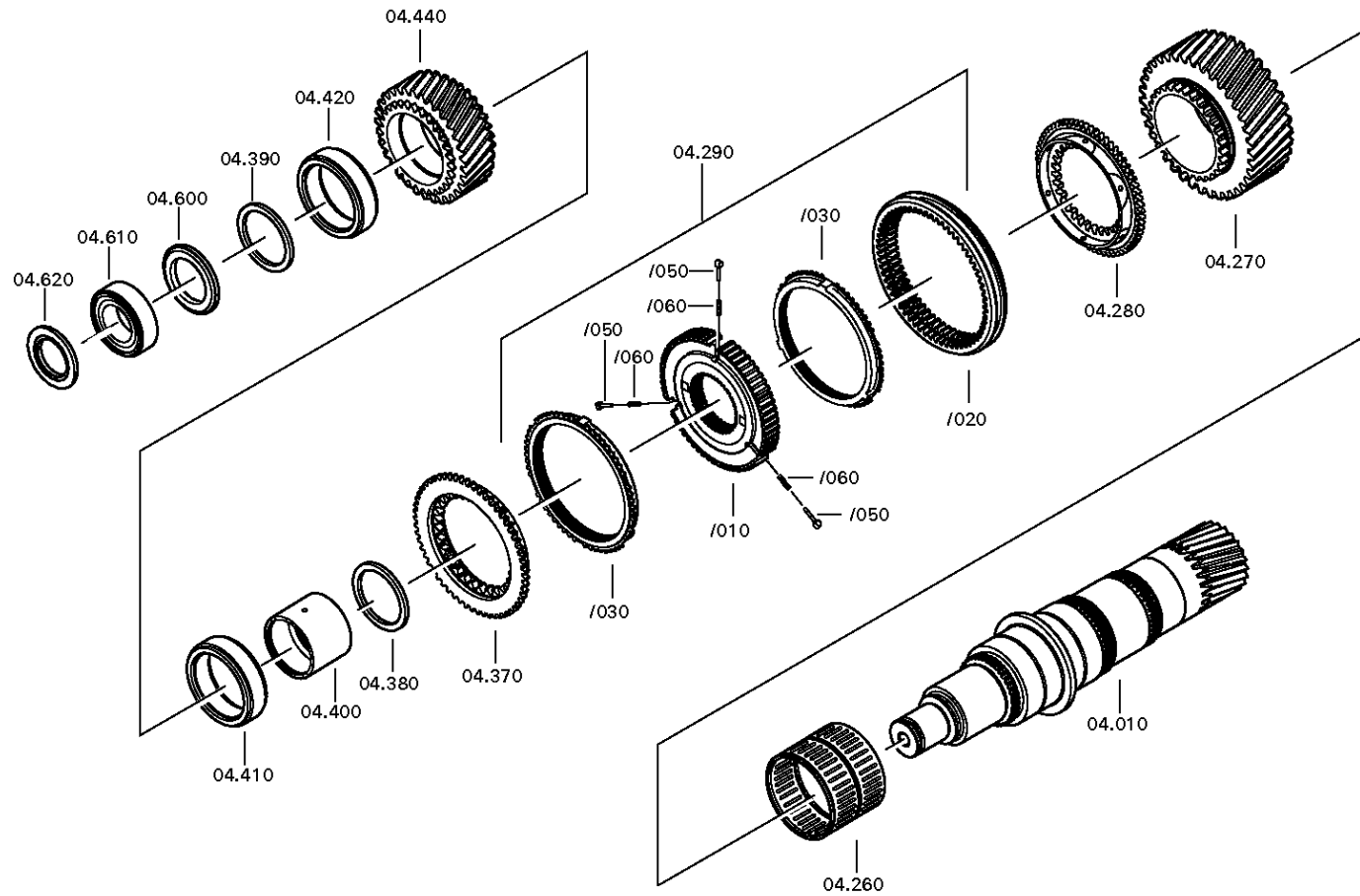
Material number: 1356.008.013

Plant: 161.04.07-1

Material-assembly-group-no: 1356.104.018



16 S 2331 TD /
MAIN SHAFT



Plant

Page 2 from 2

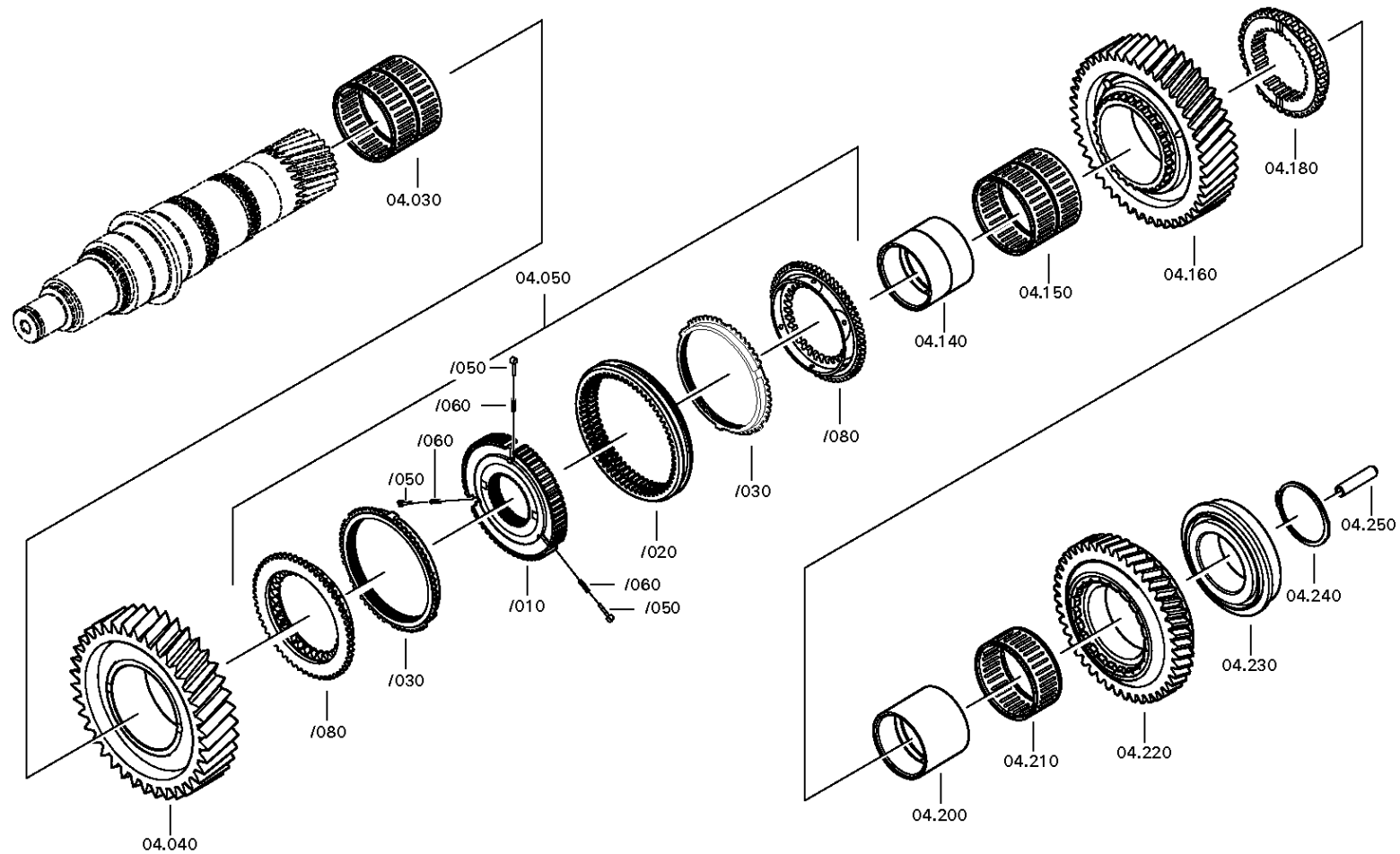
Material number: 1356.008.013

Plant: 161.04.07-2

Material-assembly-group-no: 1356.104.018



16 S 2331 TD /
MAIN SHAFT



Parts list

Page 1 from 3



16 S 2331 TD /

Material number: 1356.008.013

Plant: 161.04.07-1

Material-assembly-group-no: 1356.104.018

Pos.	Material number	Customer material	Name	Quantity	ME	Amend. no.	Techn. Info.	Rep kit	Alternative material
10	1316.304.132	1395314	MAIN SHAFT	1		Z00003869411			
30	0750.115.303	5 8158 0	NEEDLE CAGE	1		Z00003869411	92,0X100,0X63,0		
40	1316.304.002	133-242-3900	HELICAL GEAR	1		Z00003869411	2G/Z38 IN 1316 304 005(1)		
50	1356.204.007		SYNCHRONIZER	1		Z00006981310	KPL.1+2G*BK160 MOLYBDAEN* ECOSPLIT 3+4		
/10	1356.304.022		SYNCHROBODY	1		Z00006981313			
/20	1356.304.024	1865591	SLIDING SLEEVE	1		Z00006981313	ZF-BK 160		
/30	1316.304.170	1677595	SYNCHRO RING	2		Z00006981313			
/50	1297.304.436	0068332	PRESSURE PART	3		Z00006981313			
/60	0732.040.409	0171349	COMPRESSION SPRING	3		Z00006981313			
/80	1316.304.156	5 5366 0	CLUTCH BODY	2		Z00006981313			
140	1312.304.084	42480712	BUSH	1		Z00003869411	ENTHALT.IN 1312 304 007(2)		
150	0750.115.327	5 8157 0	NEEDLE CAGE	1		Z00003869411	96,0X104,0X72,0		
160	1316.304.010	1316304010	HELICAL GEAR	1		Z00003869411	1G/Z47 IN 1312 304 033(0)		
180	1312.304.124	1295199	CLUTCH BODY	1		Z00003869411	ENTHALT.IN 1312 304 055(0)		
200	1316.304.133	42480812	BUSH	1		Z00003869411	A=50,00 IN 1312 304 010(2)		
210	0750.115.326	5 8156 0	NEEDLE CAGE	1		Z00003869411	90,0X98,0X50,0		
220	---		HELICAL GEAR	1					
---	1316.304.012	133-242-3920	HELICAL GEAR	1			RG*Z44 IN 1312 304 125(0)		
230	0750.117.678	8 8114 0	TAPERED ROLLER BEARING	1		Z00003869411	80,0X140,0X36,5		
240	---		RETAINING RING	1		Z00003869411	H= 3,00- 3,65(ABSTUFUNG:0,05MM)		
---	0630.501.316	820-400-2580	RETAINING RING	1			80X3,5		
---	0630.501.336	H0109516	RETAINING RING	1			80X3,45		
---	0630.501.315	820-400-2582	RETAINING RING	1			80X3,4		
---	0630.501.335	H0109514	RETAINING RING	1			80X3,35		
---	0630.501.314	820-400-2584	RETAINING RING	1			80X3,3		
---	0630.501.334	820-400-2585	RETAINING RING	1			80X3,25		
---	0630.501.313	820-400-2586	RETAINING RING	1			80X3,2		
---	0630.501.333	820-400-2587	RETAINING RING	1			80X3,15		
---	0630.501.312	820-400-2588	RETAINING RING	1			80X3,1		
---	0630.501.337	820-400-2589	RETAINING RING	1			80X3,55		
---	0630.501.338	820-400-2590	RETAINING RING	1			80X3,6		
---	0630.501.339	820-400-2591	RETAINING RING	1			80X3,65		
250	1312.304.150	5 5177 0	TUBE	1		Z00003869411			

Parts list

Page 2 from 3



16 S 2331 TD /

Material number: 1356.008.013

Plant: 161.04.07-1

Material-assembly-group-no: 1356.104.018

Pos.	Material number	Customer material	Name	Quantity	ME	Amend. no.	Techn. Info.	Rep kit	Alternative material
260	0750.115.303	5 8158 0	NEEDLE CAGE	1		Z00003869411	92,0X100,0X63,0		
270	1316.304.066		HELICAL GEAR	1		Z00003869411	3G*Z34		
280	1316.304.190	1831990	CLUTCH BODY	1		Z00003869411	ZF-BK 144 O		
290	1356.204.006		SYNCHRONIZER	1		Z00006981312	KPL.3+4G*BK144 MOLYBDAEN* ANSCHL.INTEGR VERST*ECOSPLIT 3+4		
/10	1356.304.019	1833885	SYNCHROBODY	1		Z00006981313			
/20	1356.304.023	1833891	SLIDING SLEEVE	1		Z00006981313	ZF-BK 144		
/30	1316.304.189	1832004	SYNCHRO RING	2		Z00006981313	ZF-BK 144		
/50	1297.304.436	0068332	PRESSURE PART	3		Z00006981313			
/60	0732.040.409	0171349	COMPRESSION SPRING	3		Z00006981313			
370	1316.304.190	1831990	CLUTCH BODY	1		Z00003869411	ZF-BK 144 O		
380	0750.101.158		THRUST WASHER	1		Z00003869411			
390	0750.101.158		THRUST WASHER	1		Z00003869411			
400	0750.119.124	5 8910 0	INNER RING	1		Z00003869411	67,0X77,0X66,1		
410	0750.115.531	5 8908 0	ROLLER CAGE	1			77,0X101,0X29,0		
420	0750.115.531	5 8908 0	ROLLER CAGE	1			77,0X101,0X29,0		
440	1316.304.103	5 5341 0	HELICAL GEAR	1		Z00003869411	Z32		
600	---		AXIAL WASHER	1		Z00003869411	H= 7,30- 8,00(ABSTUFUNG:0,10MM)		
---	1315.304.048	5 5877 0	AXIAL WASHER	1			A=8,00 IN 1315 304 042(2)		
---	1315.304.047	5 5859 0	AXIAL WASHER	1			A=7,90 IN 1315 304 042(2)		
---	1315.304.046	ZF-1315 304 046	AXIAL WASHER	1			A=7,80 IN 1315 304 042(2)		
---	1315.304.045	5 5858 0	AXIAL WASHER	1			A=7,70 IN 1315 304 042(2)		
---	1315.304.044	ZF-1315 304 044	AXIAL WASHER	1			A=7,60 IN 1315 304 042(2)		
---	1315.304.043	ZF-1315 304 043	AXIAL WASHER	1			A=7,50 IN 1315 304 042(2)		
---	1315.304.085	ZF-1315 304 085	AXIAL WASHER	1			A=7,40 IN 1315 304 042(2)		
---	1315.304.086	1833949	AXIAL WASHER	1			A=7,30 IN 1315 304 042(2)		
610	0750.117.232	81.93501.0080	TAPERED ROLLER BEARING	1		Z00003869411	42,0X40,3		
620	1312.204.040		SPLIT RING	1			GESTANZT		
/10	---		SPLIT RING	2			H= 4,60- 5,00(ABSTUFUNG:0,10MM)		
---	0730.107.023	820-400-2660	SPLIT RING	2			A=5,00 IN 0730 106 207(2)		
---	0730.107.022	820-400-2661	SPLIT RING	2			A=4,90 IN 0730 106 207(2)		
---	0730.107.021	820-400-2662	SPLIT RING	2			A=4,80 IN 0730 106 207(2)		
---	0730.107.020	820-400-2663	SPLIT RING	2			A=4,70 IN 0730 106 207(2)		

Parts list

Page 3 from 3



16 S 2331 TD /

Material number: 1356.008.013

Plant: 161.04.07-1

Material-assembly-group-no: 1356.104.018

Pos.	Material number	Customer material	Name	Quantity	ME	Amend. no.	Techn. Info.	Rep kit	Alternative material
---	0730.107.019	820-400-2664	SPLIT RING	2			A=4,60 IN 0730 106 207(2)		
/20	0730.062.781	H0224840	RETAINING RING	1			ENTHALT.IN 0730 062 636(2)		

Plant

Page 1 from 1

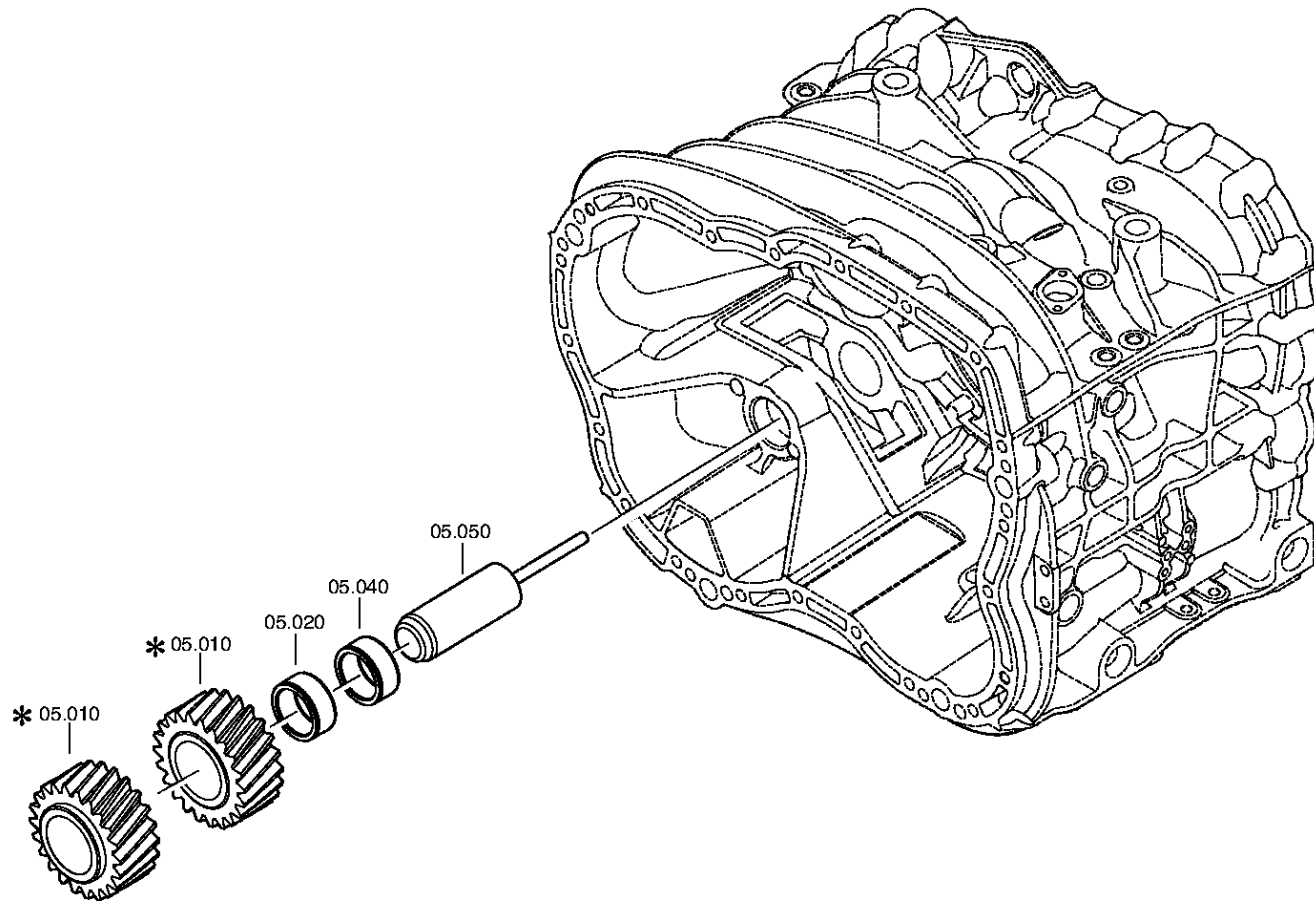
Material number: 1356.008.013

Plant: 161.05.01-1

Material-assembly-group-no: 1325.105.001



16 S 2331 TD /
RETURN



Parts list

Page 1 from 1



16 S 2331 TD /

Material number: 1356.008.013

Plant: 161.05.01-1

Material-assembly-group-no: 1325.105.001

Pos.	Material number	Customer material	Name	Quantity	ME	Amend. no.	Techn. Info.	Rep kit	Alternative material
10	---		REVERSE IDLER GEAR	1		C01006413F10			
---	1316.305.001		REVERSE IDLER GEAR	1			Z22 IN 1295 305 050(1)		
---	1316.305.008	1882761	REVERSE IDLER GEAR	1			Z22 IN 1295 305 050(1)		
20	0750.115.369	820-400-2290	NEEDLE CAGE	1			45,0X57,0X25,0		
40	0750.115.369	820-400-2290	NEEDLE CAGE	1			45,0X57,0X25,0		
50	1316.201.030		REVERSE IDLER SHAFT	1			KPL.16S221*SG*L=102		
/120	0631.329.295		SLOTTED PIN	1			10X118		

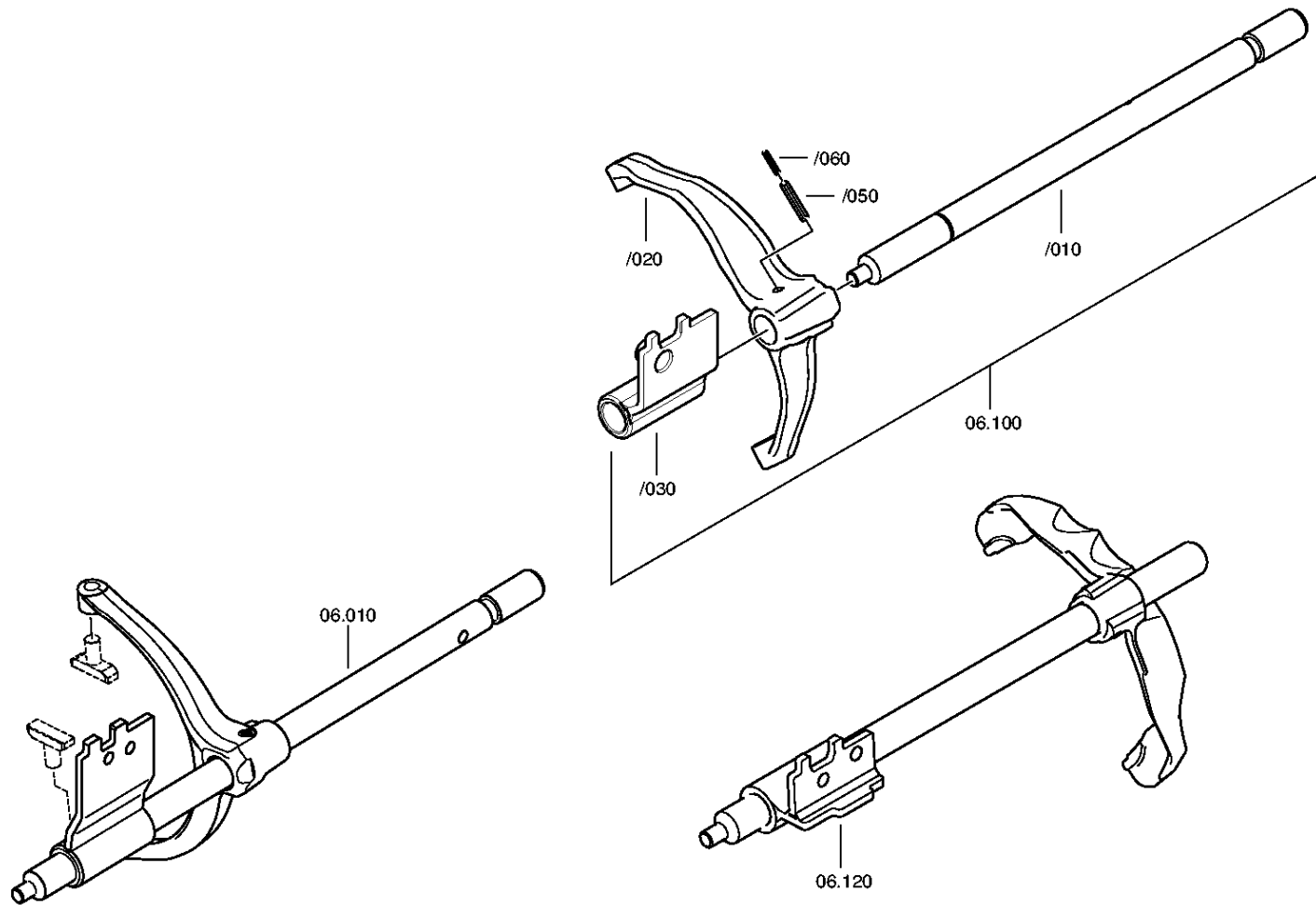
Plant

Page 1 from 3

Material number: 1356.008.013
Plant: 161.06.04-1
TRANSMISSION SHIFT SYSTEM



16 S 2331 TD /
TRANSMISSION SHIFT SYSTEM



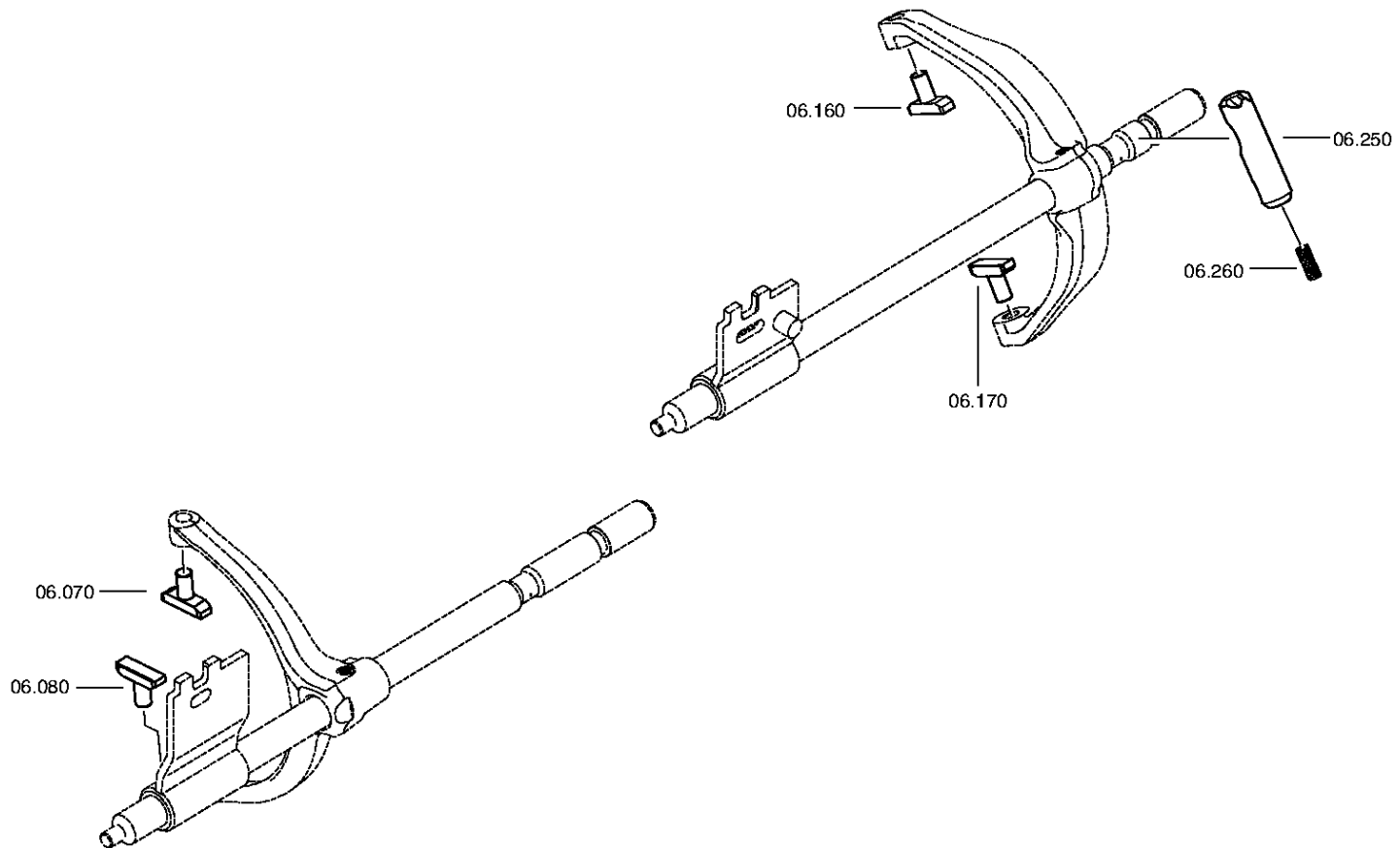
Plant

Page 2 from 3

Material number: 1356.008.013
Plant: 161.06.02-1
TRANSMISSION SHIFT SYSTEM



16 S 2331 TD /
TRANSMISSION SHIFT SYSTEM



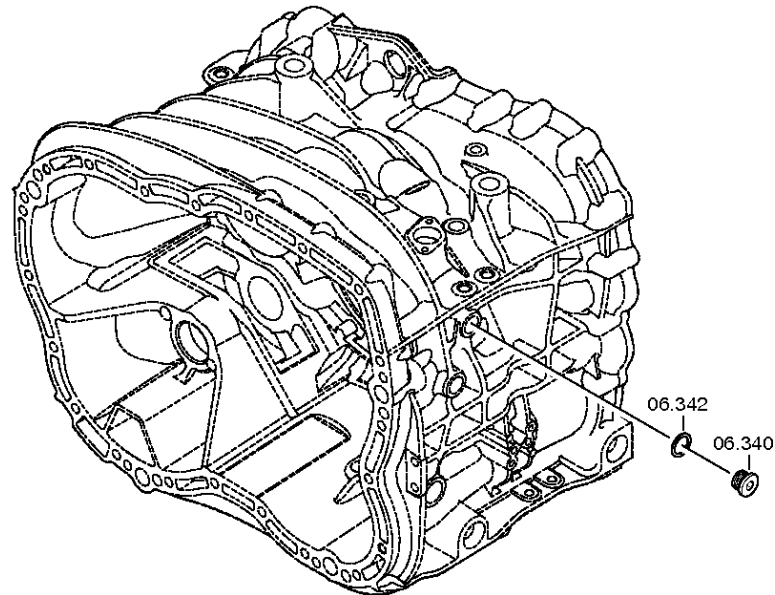
Plant

Page 3 from 3

Material number: 1356.008.013
Plant: 161.06.82-1
TRANSMISSION SHIFT SYSTEM



16 S 2331 TD /
TRANSMISSION SHIFT SYSTEM



Parts list

Page 1 from 1



16 S 2331 TD /

Material number: 1356.008.013

Plant: 161.06.04-1

Material-assembly-group-no: 1356.106.001

Pos.	Material number	Customer material	Name	Quantity	ME	Amend. no.	Techn. Info.	Rep kit	Alternative material
10	1356.206.004		GEAR SHIFT RAIL	1			KPL*WBI-3/4G*LANG*MIT GANGERKENNUNG DAF		
70	1316.306.015	5 5342 0	SLIDING PAD	1					
80	1316.306.015	5 5342 0	SLIDING PAD	1					
100	1356.206.002		GEAR SHIFT RAIL	1			KPL*WBI-1/2G*LANG		
120	1356.206.001		GEAR SHIFT RAIL	1			KPL*WBI-RG*LANG		
160	1316.306.015	5 5342 0	SLIDING PAD	1					
170	1316.306.015	5 5342 0	SLIDING PAD	1					
250	1313.306.013		LOCKING PIN	1					
260	0732.040.736	2150041300	COMPRESSION SPRING	1					
340	0636.100.791		SCREW PLUG	1		Z00010111513	M18X1,5		
342	0634.801.062	1804055	SEALING RING	1			18X24		

Plant

Page 1 from 6

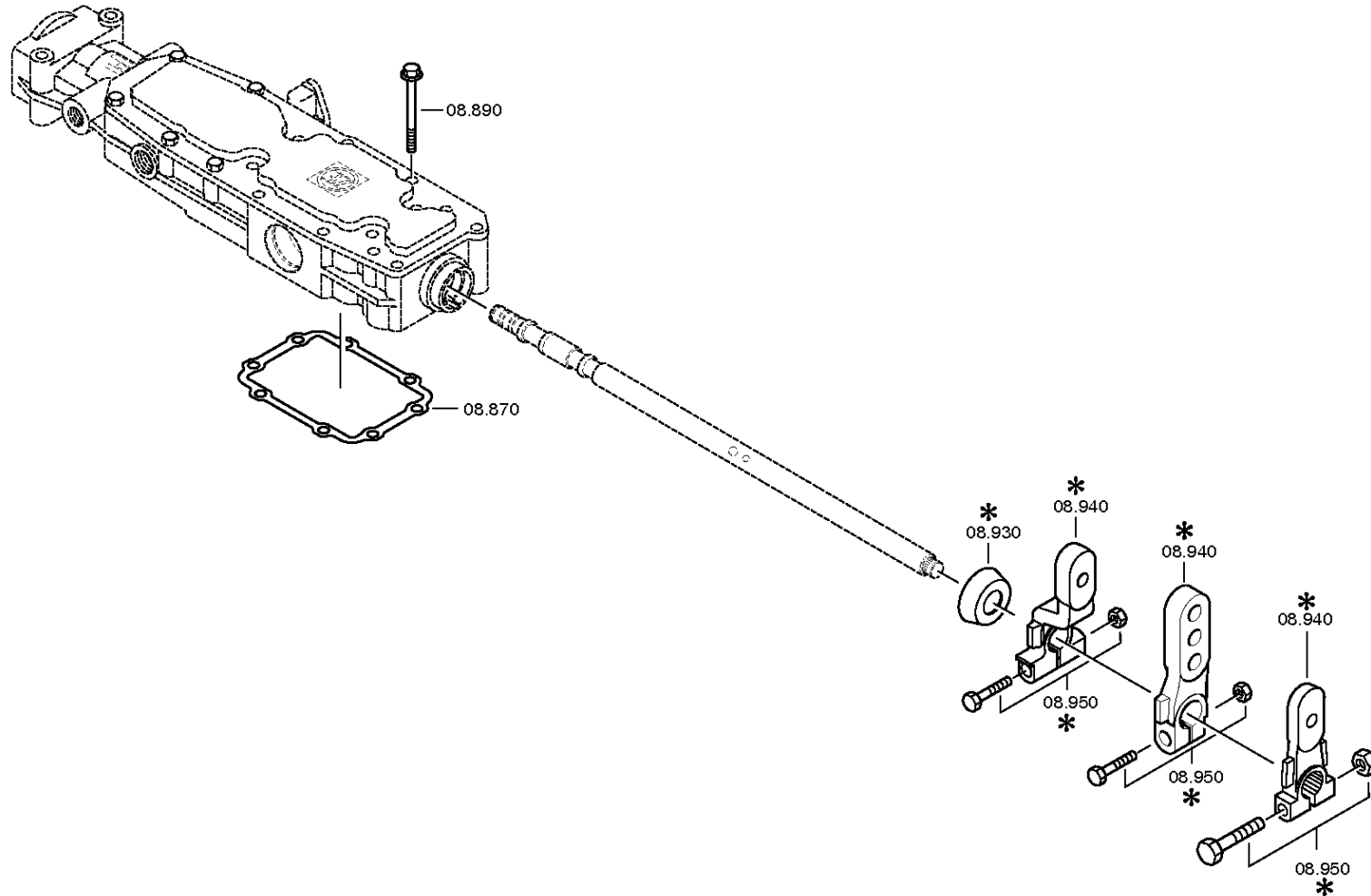
Material number: 1356.008.013

Plant: 068.07.81-1

GEAR SHIFT HOUSING



16 S 2331 TD /
GEAR SHIFT HOUSING



Plant

Page 2 from 6

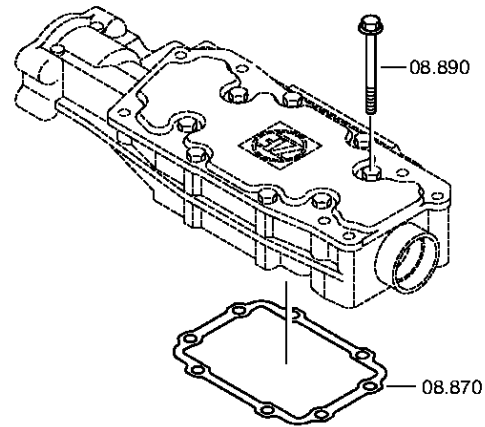
Material number: 1356.008.013

Plant: 161.07.81-1

GEAR SHIFT HOUSING



16 S 2331 TD /
GEAR SHIFT HOUSING



Plant

Page 3 from 6

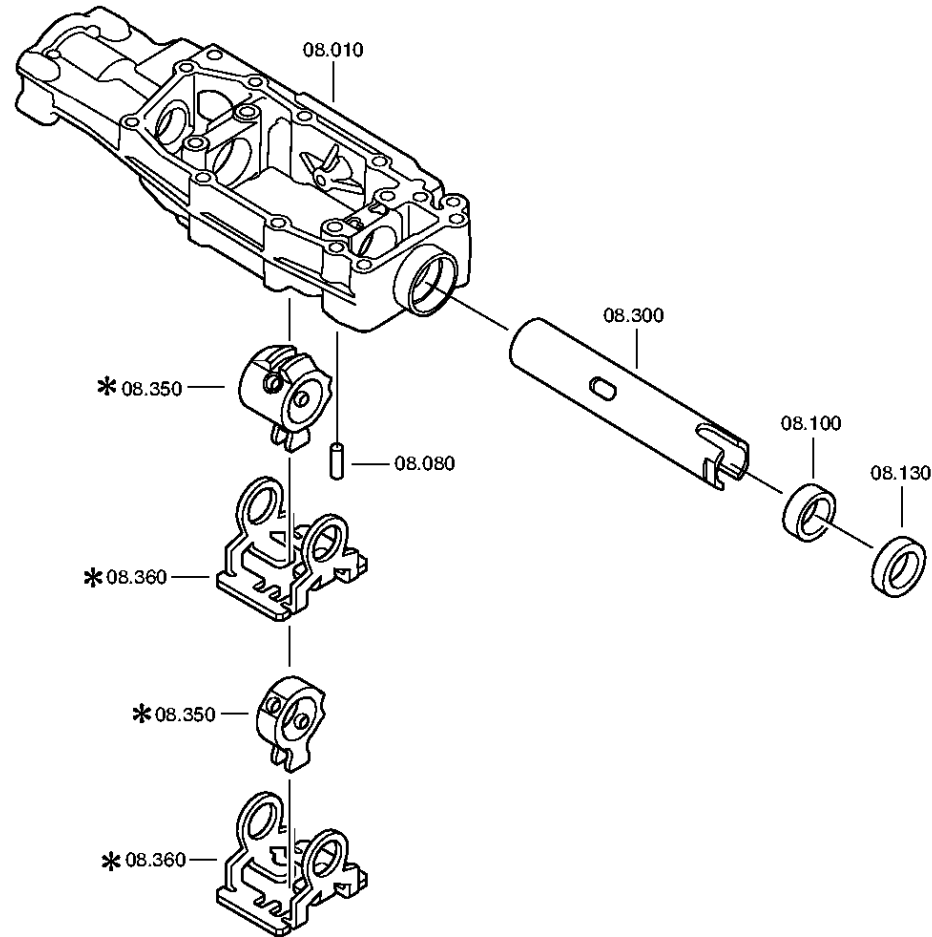
Material number: 1356.008.013

Plant: 068.07.46-1

GEAR SHIFT HOUSING



16 S 2331 TD /
GEAR SHIFT HOUSING



Plant

Page 4 from 6

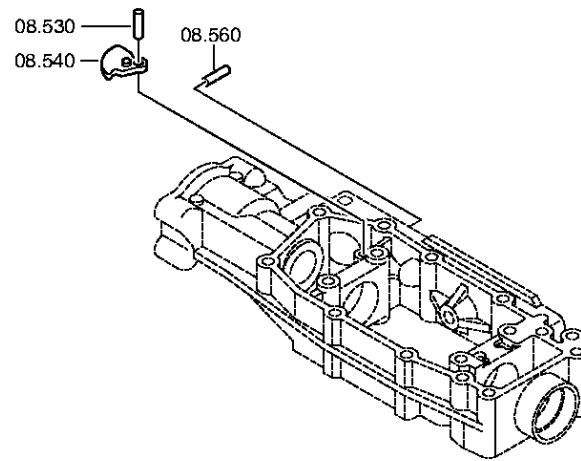
Material number: 1356.008.013

Plant: 068.07.82-1

GEAR SHIFT HOUSING



16 S 2331 TD /
GEAR SHIFT HOUSING



Plant

Page 5 from 6

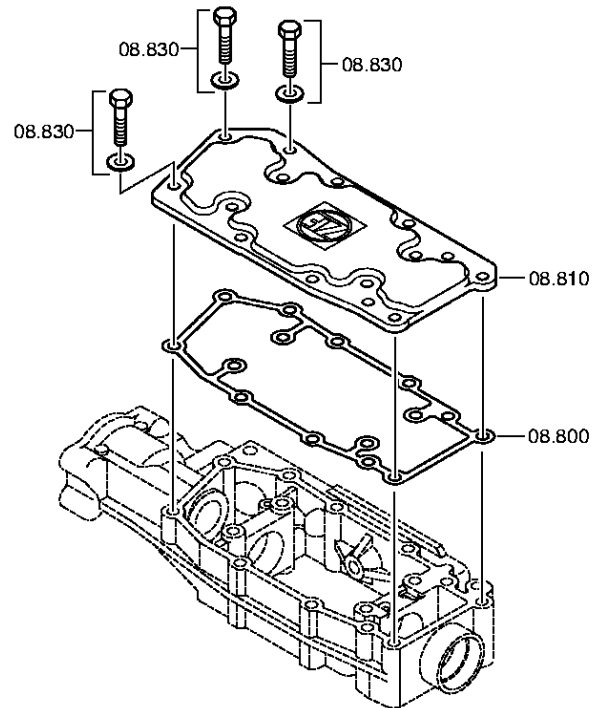
Material number: 1356.008.013

Plant: 068.07.83-1

GEAR SHIFT HOUSING



16 S 2331 TD /
GEAR SHIFT HOUSING



Plant

Page 6 from 6

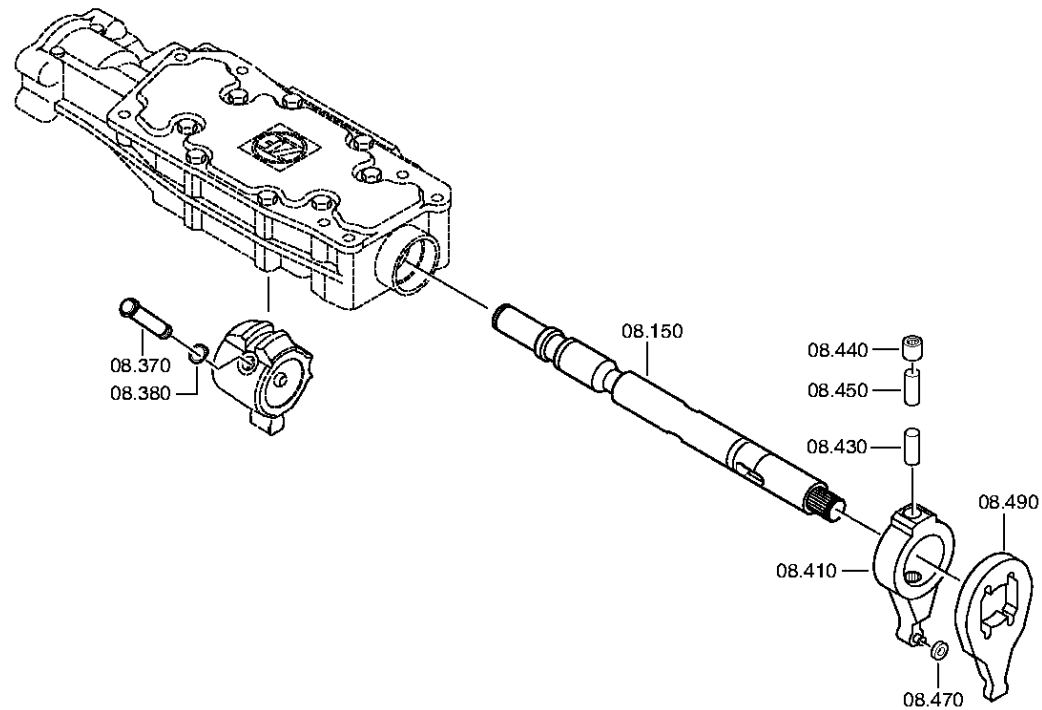
Material number: 1356.008.013

Plant: 161.07.41-1

GEAR SHIFT HOUSING



16 S 2331 TD /
GEAR SHIFT HOUSING



Parts list

Page 1 from 1



16 S 2331 TD /

Material number: 1356.008.013

Plant: 068.07.81-1

Material-assembly-group-no: 1316.108.828

Pos.	Material number	Customer material	Name	Quantity	ME	Amend. no.	Techn. Info.	Rep kit	Alternative material
10	1341.307.010		GEAR SHIFT HOUSING	1		C01003855E10			
80	0631.306.123	190003901424	CYLINDRICAL PIN	1			8X24		
100	0730.260.703	1394369	BUSH	1			A=13,70		
130	0734.309.765	1798267	SHAFT SEAL	1		C01005906F10	28X42X11 FA.SKT		
150	1341.307.036		GEARSHIFT SHAFT	1			DAF MIT SERVO		
300	1315.307.397	1633790	QUILL SHAFT	1					
350	1315.307.395		DRIVER	1					
360	1315.307.218	1394378	LOCKING PIECE	1					
370	1316.208.003		PIN	1			KPL.		
380	0630.501.006	P0436202H	RETAINING RING	1			10X1		
410	1316.208.002	1394380	VALVE LEVER	1			KPL.		
430	0731.201.732	1452229	PIN	1					
440	0635.303.019	1394383	NEEDLE BUSH	1			10X14X15		
450	0731.201.732	1452229	PIN	1					
470	1315.307.226	820-400-3340	ROLLER	1					
490	1315.307.292		LEVER	1					
530	0731.201.726		PIN	1					
540	1315.307.432		LOCKING PAWL	1					
560	0731.201.726		PIN	1					
800	0501.322.265	1739223	GASKET	1		C01007911E10	METALOSEAL		
810	1315.307.419		COVER	1					
830	---		HEXAGON SCREW	3			M8X25		
---	0636.016.401		HEXAGON SCREW	3			M8X25		
---	0630.100.295		WASHER	3		Z00007158414			
870	1315.307.013	133-138-1020	GASKET	1					
890	0736.300.137	1197869	HEXAGON SCREW	8		Z00009195410	M8X80 M8X80		

Plant

Page 1 from 2

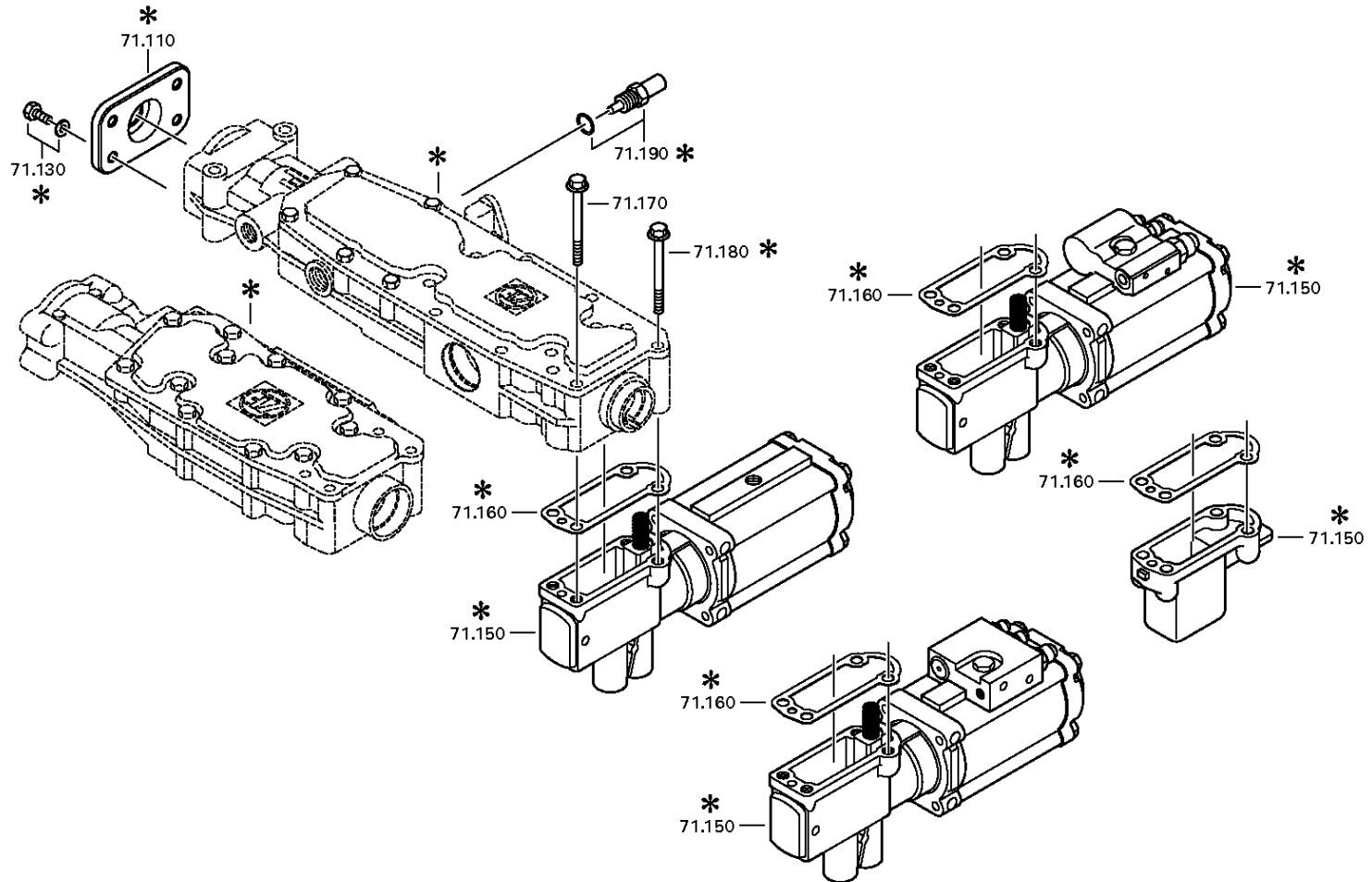
Material number: 1356.008.013

Plant: 062.08.30-1

END COVER



16 S 2331 TD /
END COVER



Plant

Page 2 from 2

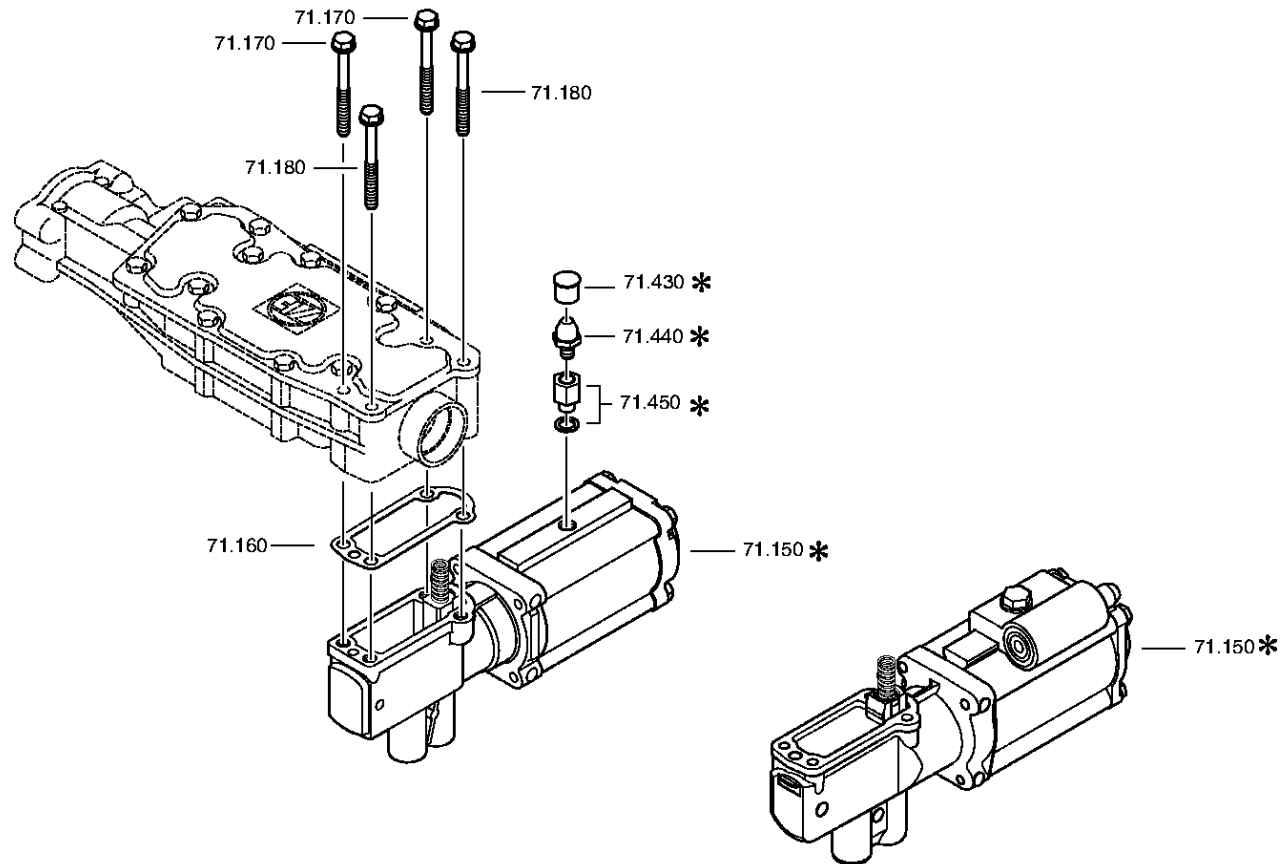
Material number: 1356.008.013

Plant: 068.08.02-1

END COVER



16 S 2331 TD /
END COVER



Parts list

Page 1 from 1



16 S 2331 TD /

Material number: 1356.008.013

Plant: 062.08.30-1

Material-assembly-group-no: 1316.171.403

Pos.	Material number	Customer material	Name	Quantity	ME	Amend. no.	Techn. Info.	Rep kit	Alternative material
110	1341.307.113		COVER	1		Z00009271410			
130	---		HEXAGON SCREW	4		Z00007891111	M8X20		
---	0636.100.796		HEXAGON SCREW	4		Z00007891120	M8X20		
---	0630.100.295		WASHER	4		Z00007158414			
150	0501.211.290	H0502806	PNEUMATIC SERVO UNIT	1			KPL.		
160	1315.307.242	1389649	GASKET	1					
170	0736.300.137	1197869	HEXAGON SCREW	2		Z00009195410	M8X80 M8X80		
180	---		HEXAGON SCREW	2		Z00009195410	M8X80		
---	0736.300.137	1197869	HEXAGON SCREW	2		Z00009195414	M8X80 M8X80		

Plant

Page 1 from 2

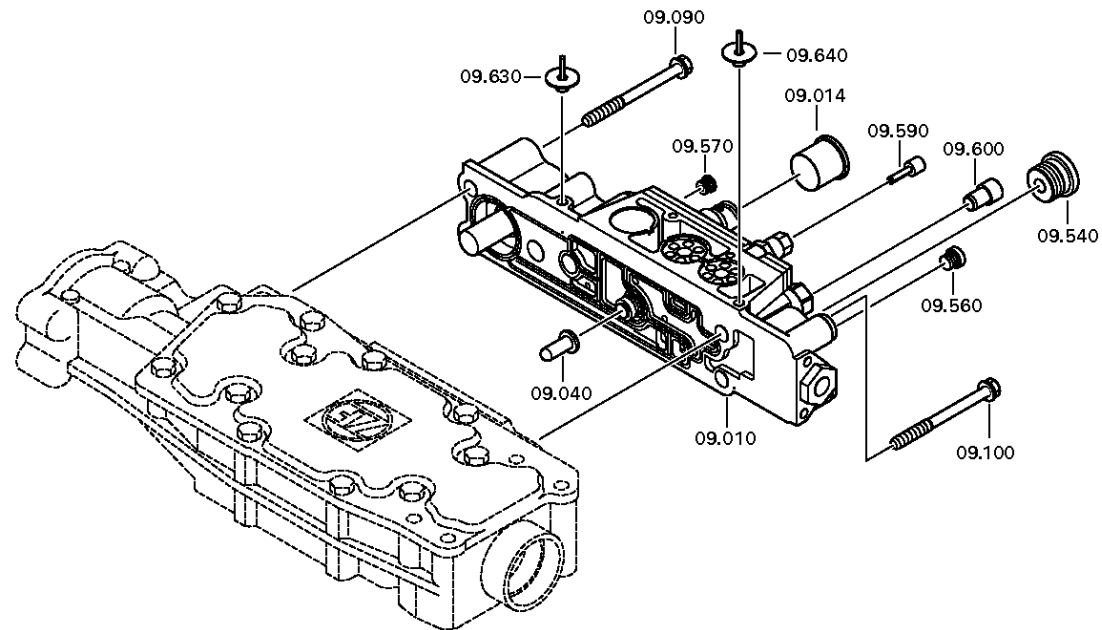
Material number: 1356.008.013

Plant: 161.09.11-1

SWITCH



16 S 2331 TD /
VALVE BLOCK



Plant

Page 2 from 2

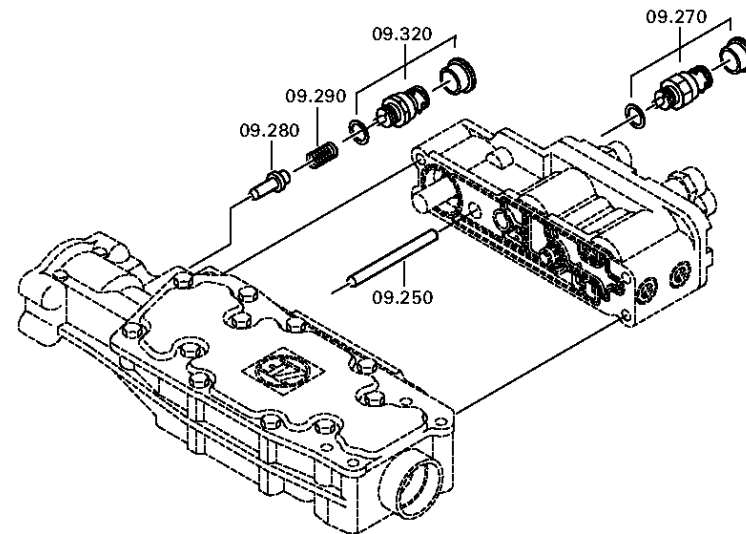
Material number: 1356.008.013

Plant: 161.09.03-1

SWITCH



16 S 2331 TD /
VALVE BLOCK



Parts list

Page 1 from 1



16 S 2331 TD /

Material number: 1356.008.013

Plant: 161.09.11-1

Material-assembly-group-no: 1325.109.006

Pos.	Material number	Customer material	Name	Quantity	ME	Amend. no.	Techn. Info.	Rep kit	Alternative material
10	0501.219.314	1957048	VALVE BLOCK	1		Z00019876111			
40	1315.307.404	1633667	TAPPET	1					
90	0636.024.526	1896742	HEXAGON SCREW	3		Z00007055410	M8X70		
100	0636.024.526	1896742	HEXAGON SCREW	2		Z00007055410	M8X70		
250	0731.201.727		PIN	1			A=83,50 IN 0731 201 445(2)		
252	0750.199.019		GREASE	1			KLASSE A		
270	---		SWITCH	1			SCHL*45N.M*DICHTRING*BAJONETT* SCHUTZKAPPE		
---	0501.210.058	5 6104 0	SWITCH	1			KPL.		
---	0634.801.062	1804055	SEALING RING	1			18X24		
---	0700.300.427		PROTECTION CAP	1					
280	1315.307.414		BOLT	1					
290	0732.042.990		COMPRESSION SPRING	1					
320	---		TAPPET SWITCH	1			SCHL*45N.M*DICHTRING*BAJONETT CODIERT A2*SCHUTZKAPPE		
---	0501.212.606	1745013	TAPPET SWITCH	1			KPL.		
---	0634.801.062	1804055	SEALING RING	1			18X24		
---	0700.300.427		PROTECTION CAP	1					
502	0637.510.668		PLUG	1			M18X1,5		
540	0637.885.736		SCREW PLUG	1					
560	0637.885.737	1635978	SCREW PLUG	1					
570	0637.885.737	1635978	SCREW PLUG	1					
590	0501.322.643		PLUG	1					
600	0501.322.644		PLUG	1					
630	0501.324.104		PLUG	1			GPN 630 M8X1		
640	0501.324.104		PLUG	1			GPN 630 M8X1		

Plant

Page 1 from 2

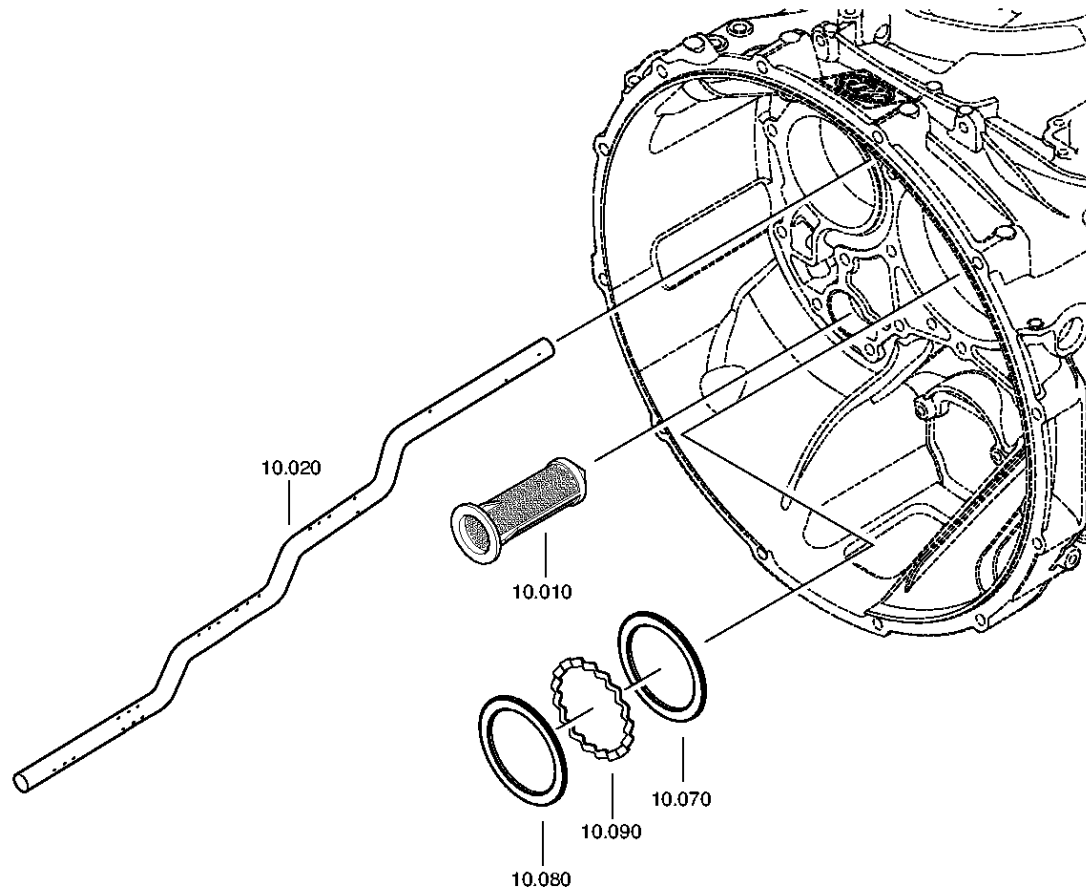
Material number: 1356.008.013

Plant: 161.10.04-1

PUMP



16 S 2331 TD /
OIL SUPPLY



Plant

Page 2 from 2

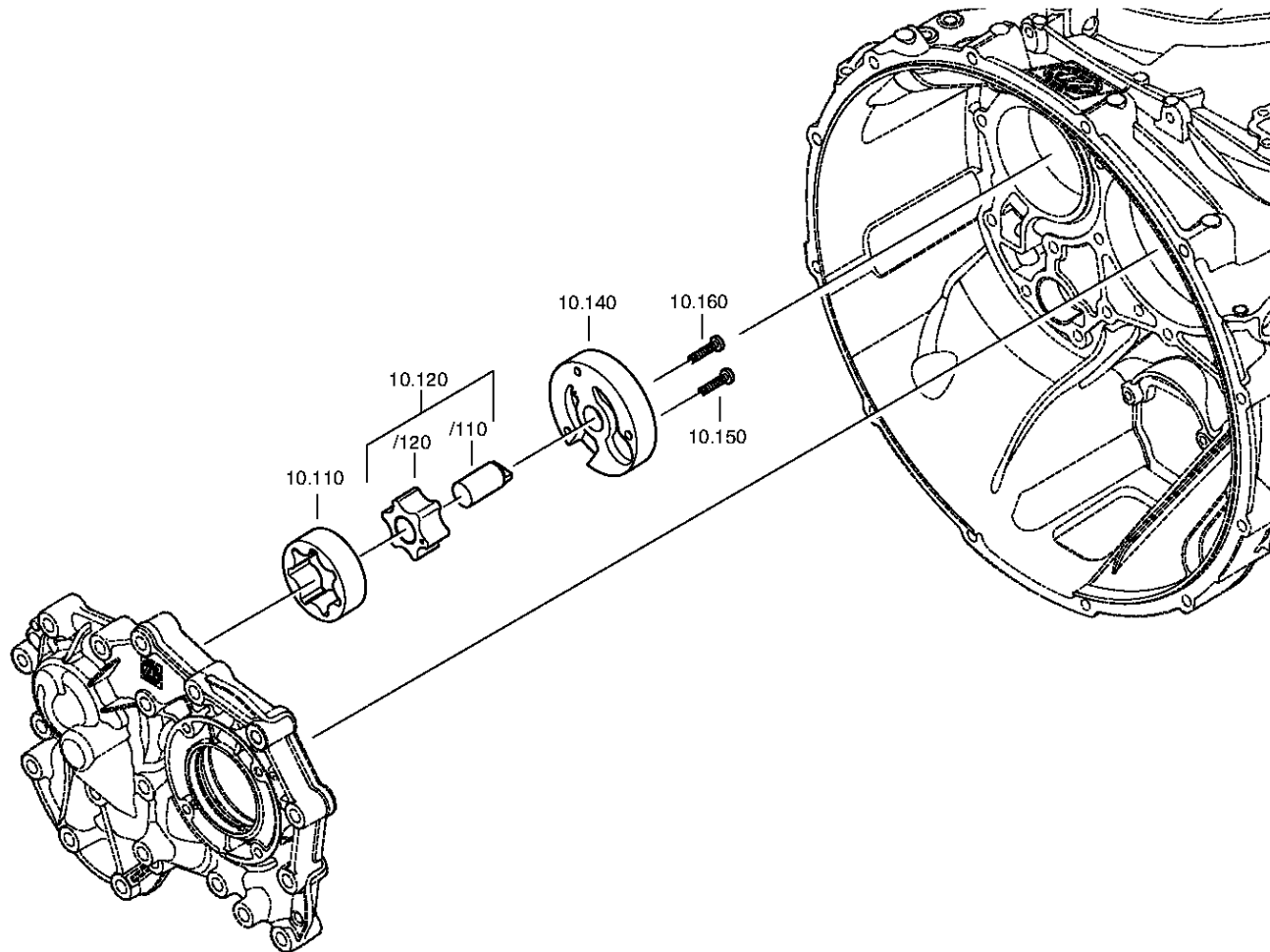
Material number: 1356.008.013

Plant: 161.10.01-1

PUMP



16 S 2331 TD /
OIL SUPPLY



Parts list

Page 1 from 1



16 S 2331 TD /

Material number: 1356.008.013

Plant: 161.10.04-1

Material-assembly-group-no: 1356.110.002

Pos.	Material number	Customer material	Name	Quantity	ME	Amend. no.	Techn. Info.	Rep kit	Alternative material
10	0501.318.802	5718 742 08	SCREEN INSERT	1					
20	1356.301.001		OIL TUBE	1			ECO 4 16G LANG		
70	0730.300.745		WASHER	1			A=3,30 A=3,30		
80	0730.150.766		WASHER	1					
90	1315.302.040		SPACER RING	1					
110	1315.303.027	5 5857 0	ROTOR	1					
120	1314.202.039	5 5842 0	PUMP SHAFT	1			KPL.		
140	1325.303.017		PUMP COVER	1					
150	0736.101.076		TORX SCREW	1					
160	0736.101.076		TORX SCREW	1					

Plant

Page 1 from 1

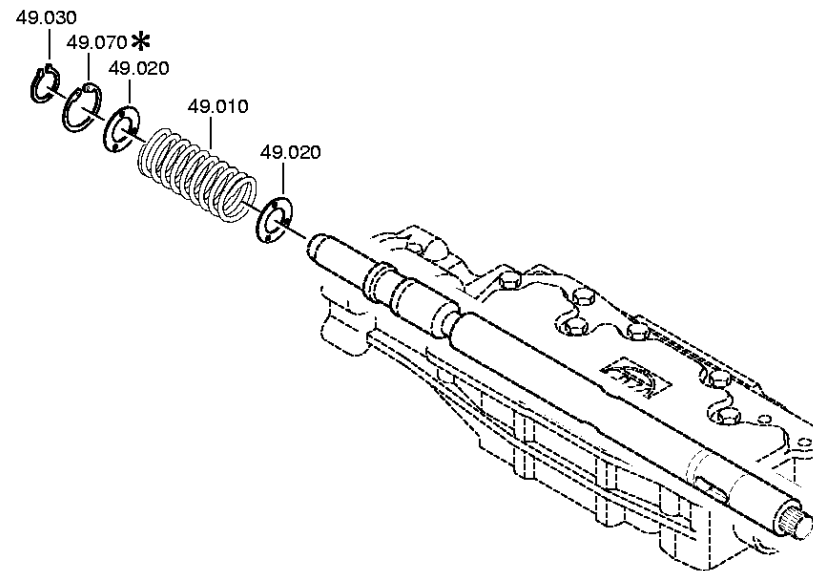
Material number: 1356.008.013

Plant: 068.12.24-1

Material-assembly-group-no: 1341.149.003



16 S 2331 TD /
SET OF SPRINGS



Parts list

Page 1 from 1



16 S 2331 TD /

Material number: 1356.008.013

Plant: 068.12.24-1

Material-assembly-group-no: 1341.149.003

Pos.	Material number	Customer material	Name	Quantity	ME	Amend. no.	Techn. Info.	Rep kit	Alternative material
10	0732.040.765	ZF-0732 040 765	COMPRESSION SPRING	1					
20	0730.301.376	1884285	WASHER	2		Z00008917410			
30	0630.532.138	5004143	V-RING	1					
70	0630.502.022	100CP2729	RETAINING RING	1			40X1,75		

Plant

Page 1 from 1

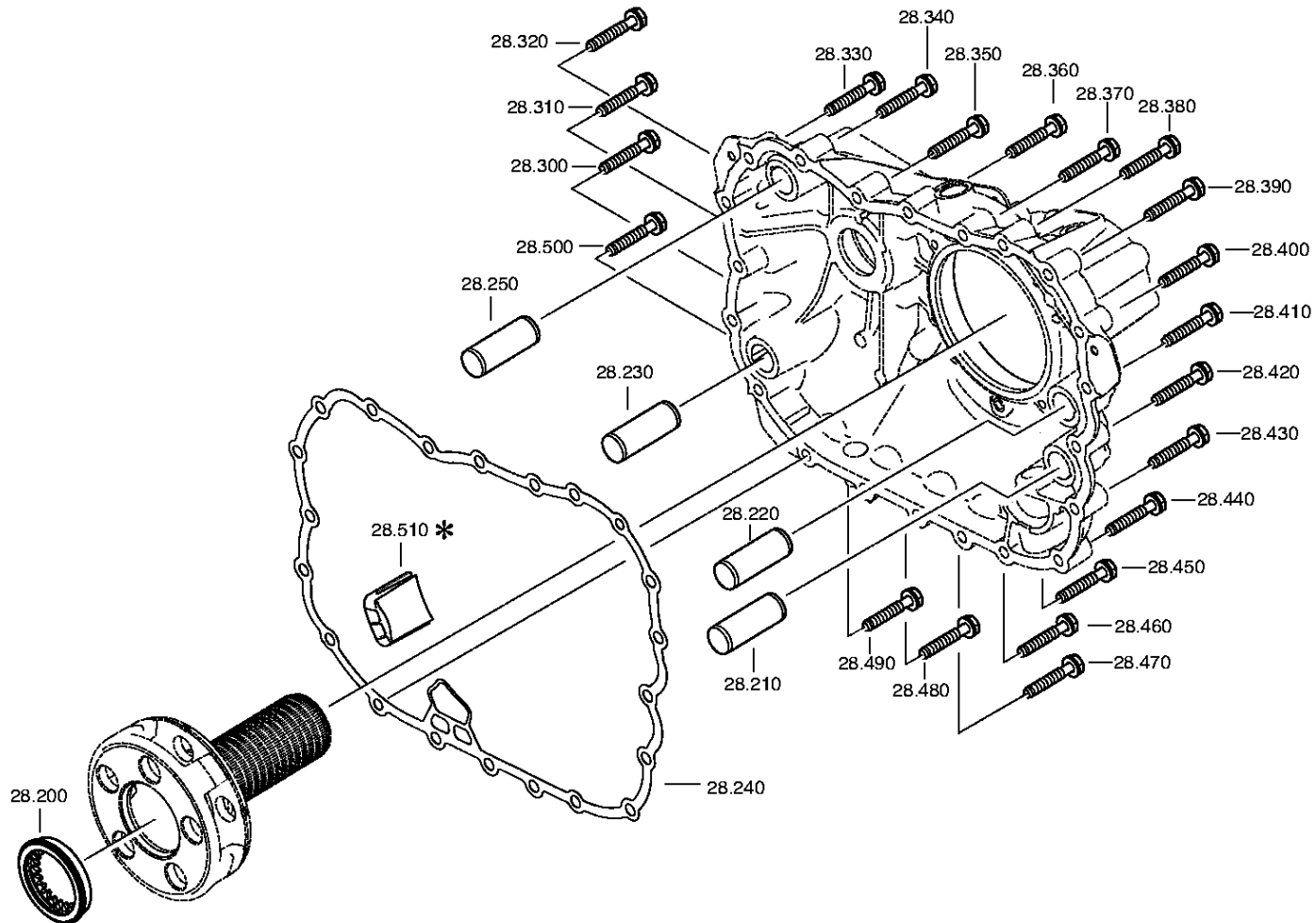
Material number: 1356.008.013

Plant: 161.28.01-1

Material-assembly-group-no: 1325.128.807



16 S 2331 TD /
PLANETARY RANGE



Parts list

Page 1 from 1



16 S 2331 TD /

Material number: 1356.008.013

Plant: 161.28.01-1

Material-assembly-group-no: 1325.128.807

Pos.	Material number	Customer material	Name	Quantity	ME	Amend. no.	Techn. Info.	Rep kit	Alternative material
200	1315.332.054		PRESSURE DISK	1			ENTHALT.IN 1316 332 074(1)		
210	0731.300.002		CYLINDRICAL PIN	1					
220	0731.300.002		CYLINDRICAL PIN	1					
230	0731.300.002		CYLINDRICAL PIN	1					
240	0501.323.705	1825386	GASKET	1					
250	0731.300.002		CYLINDRICAL PIN	1					
300	0636.016.405		HEXAGON SCREW	1		Z00007060111	M10X60		
310	0636.016.405		HEXAGON SCREW	1		Z00007060111	M10X60		
320	0636.016.405		HEXAGON SCREW	1		Z00007060111	M10X60		
330	0636.016.405		HEXAGON SCREW	1		Z00007060111	M10X60		
340	0636.016.405		HEXAGON SCREW	1		Z00007060111	M10X60		
350	0636.016.405		HEXAGON SCREW	1		Z00007060111	M10X60		
360	0636.016.405		HEXAGON SCREW	1		Z00007060111	M10X60		
370	0636.016.405		HEXAGON SCREW	1		Z00007060111	M10X60		
380	0636.016.405		HEXAGON SCREW	1		Z00007060111	M10X60		
390	0636.016.405		HEXAGON SCREW	1		Z00007060111	M10X60		
400	0636.016.405		HEXAGON SCREW	1		Z00007060111	M10X60		
410	0636.016.405		HEXAGON SCREW	1		Z00007060111	M10X60		
420	0636.016.405		HEXAGON SCREW	1		Z00007060111	M10X60		
430	0636.016.405		HEXAGON SCREW	1		Z00007060111	M10X60		
440	0636.016.405		HEXAGON SCREW	1		Z00007060111	M10X60		
450	0636.016.405		HEXAGON SCREW	1		Z00007060111	M10X60		
460	0636.016.405		HEXAGON SCREW	1		Z00007060111	M10X60		
470	0636.016.405		HEXAGON SCREW	1		Z00007060111	M10X60		
480	0636.016.405		HEXAGON SCREW	1		Z00007060111	M10X60		
490	0636.016.405		HEXAGON SCREW	1		Z00007060111	M10X60		
500	0636.016.405		HEXAGON SCREW	1		Z00007060111	M10X60		
510	6093.301.034	1831966	COVER	1					

Plant

Page 1 from 3

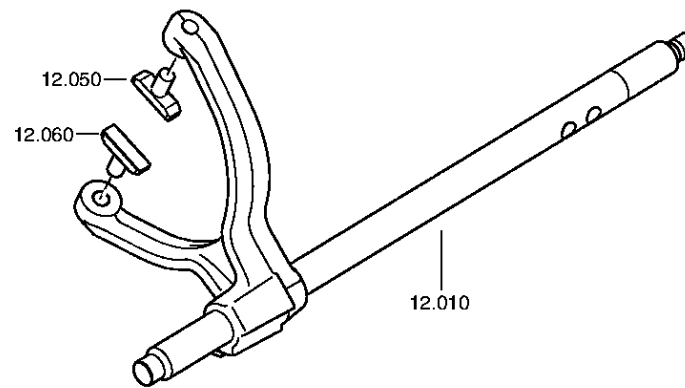
Material number: 1356.008.013

Plant: 161.40.01-1

GV-SHIFT SYSTEM



16 S 2331 TD /
GV-SHIFT SYSTEM



Plant

Page 2 from 3

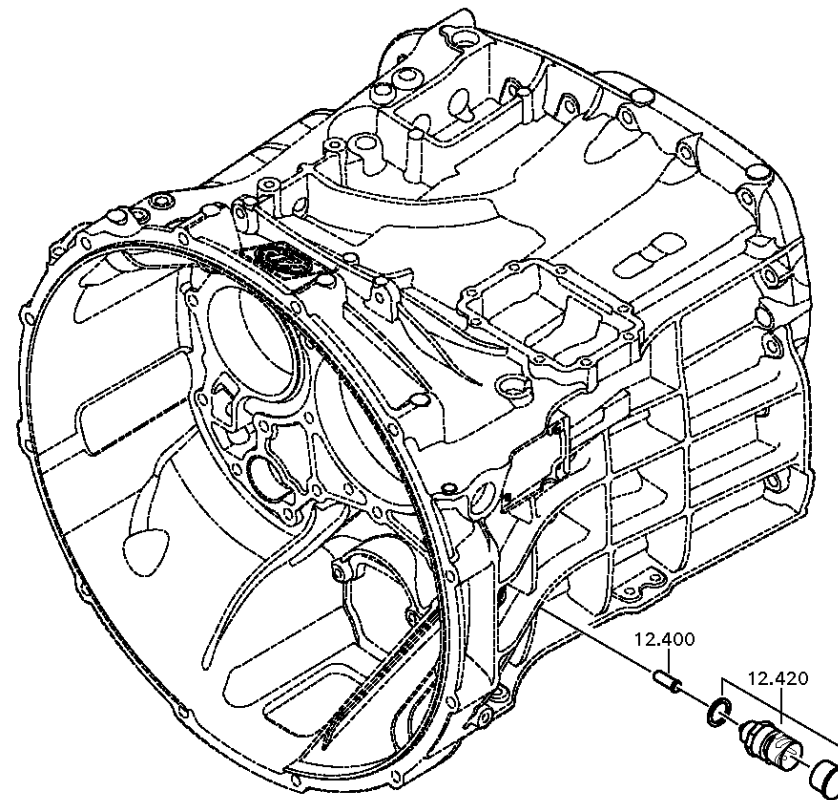
Material number: 1356.008.013

Plant: 161.40.41-1

GV-SHIFT SYSTEM



16 S 2331 TD /
GV-SHIFT SYSTEM



Plant

Page 3 from 3

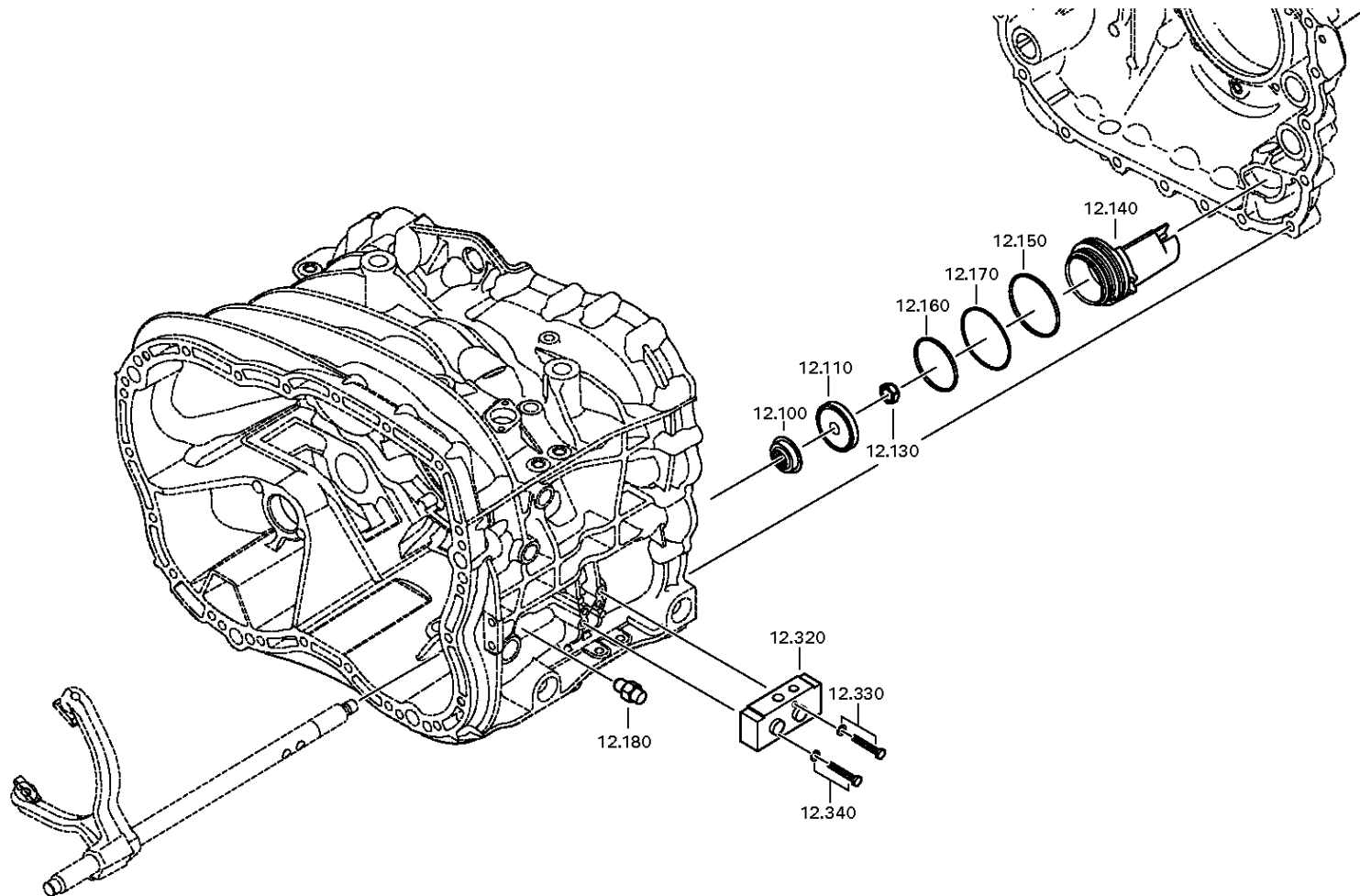
Material number: 1356.008.013

Plant: 161.40.80-1

GV-SHIFT SYSTEM



16 S 2331 TD /
GV-SHIFT SYSTEM



Parts list

Page 1 from 1



16 S 2331 TD /

Material number: 1356.008.013

Plant: 161.40.01-1

Material-assembly-group-no: 1356.112.001

Pos.	Material number	Customer material	Name	Quantity	ME	Amend. no.	Techn. Info.	Rep kit	Alternative material
10	1356.212.002	1831972	GEAR SHIFT RAIL	1			KPL.GV*E32 LANG*16 GANG		
50	1316.306.015	5 5342 0	SLIDING PAD	1					
60	1316.306.015	5 5342 0	SLIDING PAD	1					
100	0750.112.131	8 8342 0	FLANGE PACKING	1		Z00012212711	25X40X15		
110	0501.324.670	1887735	PISTON	1		Z00012212711			
130	0737.300.037	1874075	LOCKING NUT	1			MS16X1,5		
140	1325.312.012		CYLINDER	1		Z00012212711			
150	0634.313.018		O-RING	1		Z00012212711	82X3		
160	0634.313.320	8 8327 0	O-RING	1		Z00012212711	67X3		
170	1315.312.034		SPRING	1		Z00012212711			
180	---		DETENT PLUNGER	1		Z00012212711	235N*50N.M		
---	1324.207.033	H0472564	DETENT PLUNGER	1			KPL. *235 N		
---	0730.008.604	1638154	SEALING RING	1		C01009860C10			
300	0637.510.665		PLUG	1		Z00012212711	M10X1		
320	0501.219.310	1897664	5/2 WAY VALVE	1		Z00015060511			
330	0636.100.468	1897021	SCREW WITH WASHER ASSEMBLY	1		Z00011778410	M6X40		
340	0636.100.468	1897021	SCREW WITH WASHER ASSEMBLY	1		Z00011778410	M6X40		
400	1295.212.006		PIN	1			KPL.		
420	---		SWITCH	1			SCHL*45N.M*DICHTRING*BAJONETT* SCHUTZKAPPE		
---	0501.210.058	5 6104 0	SWITCH	1			KPL.		
---	0634.801.062	1804055	SEALING RING	1			18X24		
---	0700.300.427		PROTECTION CAP	1					

Plant

Page 1 from 2

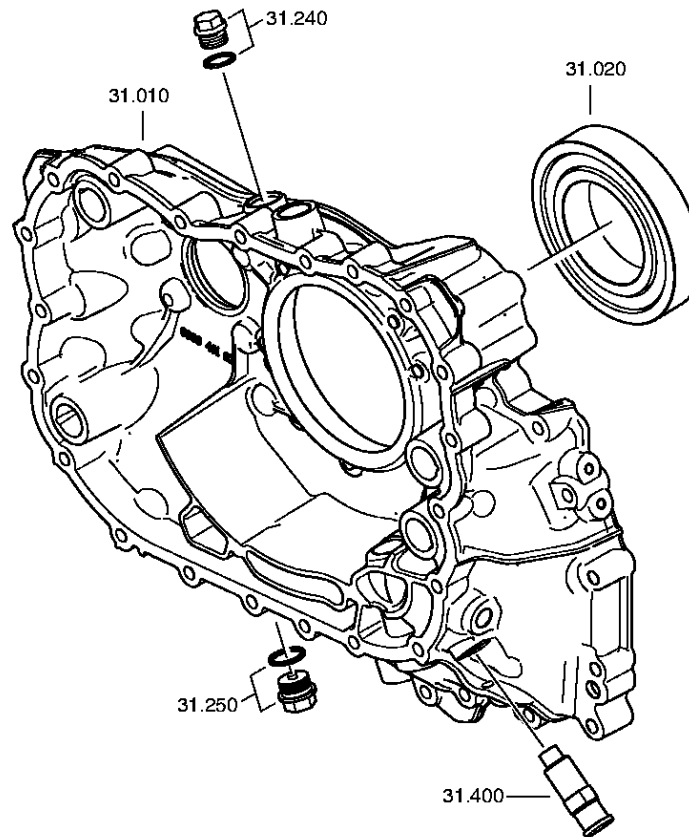
Material number: 1356.008.013

Plant: 161.43.02-1

RC HOUSING



16 S 2331 TD /
RC HOUSING



Plant

Page 2 from 2

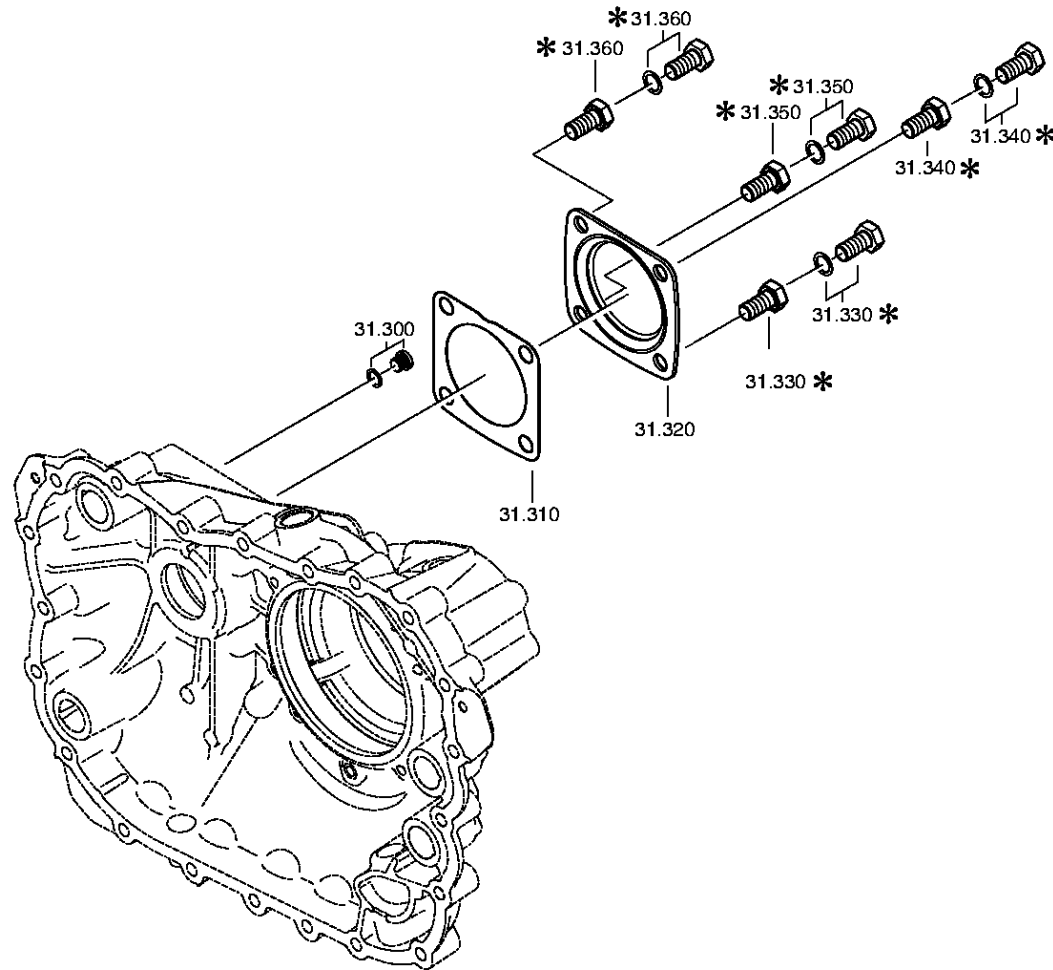
Material number: 1356.008.013

Plant: 161.43.40-1

RC HOUSING



16 S 2331 TD /
RC HOUSING



Parts list

Page 1 from 1



16 S 2331 TD /

Material number: 1356.008.013

Plant: 161.43.02-1

Material-assembly-group-no: 1325.131.007

Pos.	Material number	Customer material	Name	Quantity	ME	Amend. no.	Techn. Info.	Rep kit	Alternative material
10	6093.201.008	1878736	HOUSING	1		Z00005682510	KPL.*ECOSPLIT*GD		
12	0637.510.020		PLUG	1					
14	0637.510.020		PLUG	1					
16	0637.510.020		PLUG	1					
18	0637.510.020		PLUG	1					
20	0750.116.394	5 8092 0	BALL BEARING	1			90,0X160,0X30,0		
240	---		SCREW PLUG	1		Z00010112111	60N.M*DICHTRING M24X1,5		
---	0636.304.088	1882905	SCREW PLUG	1		Z00010112110	M24X1,5		
---	0730.008.637	1428103	SEALING RING	1		Z00010112110	24X29		
250	---		SCREW PLUG	1		Z00010176111	M24X1,5		
---	0736.300.160	4471982.1	SCREW PLUG	1		Z00010176110	M24X1,5 M24X1,5		
---	0730.008.637	1428103	SEALING RING	1		Z00010176110	24X29		
300	---		SCREW PLUG	1		C01004359F10	15N.M*DICHTRING M10X1		
---	0636.100.793		SCREW PLUG	1		Z00010111613	M10X1		
---	0730.008.055		SEALING RING	1			10X14		
310	1238.308.201	5006880	GASKET	1			ENTHALT.IN 1238 308 202(2)		
320	1328.301.170	1878388	COVER	1		Z00008068010			
330	---		HEXAGON SCREW	1		Z00007061014	M12X25		
---	0636.016.406		HEXAGON SCREW	1		Z00007061018	M12X25		
---	0630.100.284		WASHER	1		Z00007158217			
340	---		HEXAGON SCREW	1		Z00007061014	M12X25		
---	0636.016.406		HEXAGON SCREW	1		Z00007061018	M12X25		
---	0630.100.284		WASHER	1		Z00007158217			
350	---		HEXAGON SCREW	1		Z00007061014	M12X25		
---	0636.016.406		HEXAGON SCREW	1		Z00007061018	M12X25		
---	0630.100.284		WASHER	1		Z00007158217			
360	---		HEXAGON SCREW	1		Z00007061014	M12X25		
---	0636.016.406		HEXAGON SCREW	1		Z00007061018	M12X25		
---	0630.100.284		WASHER	1		Z00007158217			
400	---		PULSE SENSOR	1		Z00005204011	L= 35,0*35N.M*O.DICHTRING*BAJO* KITAS*SCHUTZKAPPE*FLAE DICHT		
---	0501.220.123		PULSE SENSOR	1		Z00016413614			

Plant

Page 1 from 2

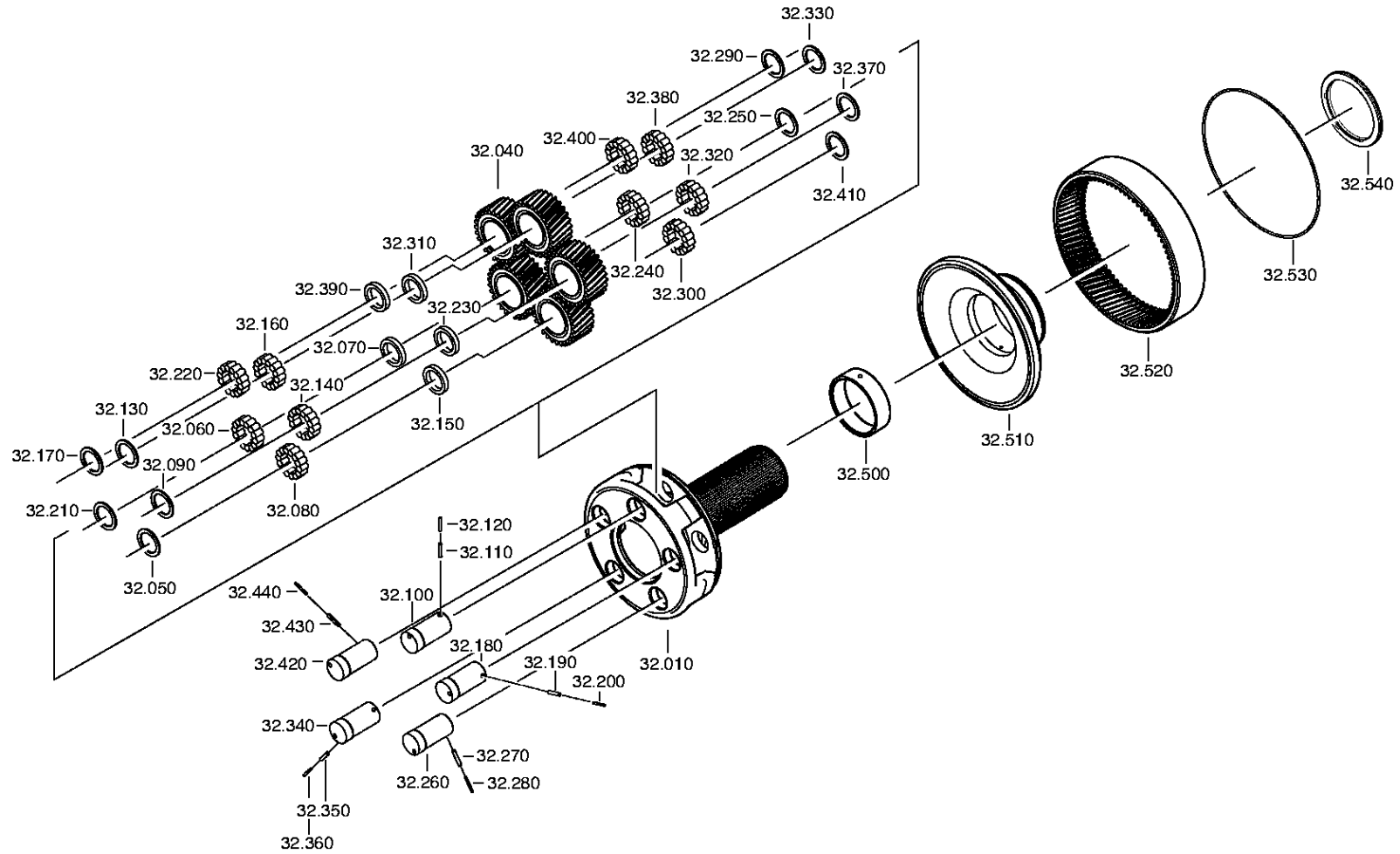
Material number: 1356.008.013

Plant: 161.44.01-1

PLANETARY DRIVE



16 S 2331 TD /
PLANETARY DRIVE



Plant

Page 2 from 2

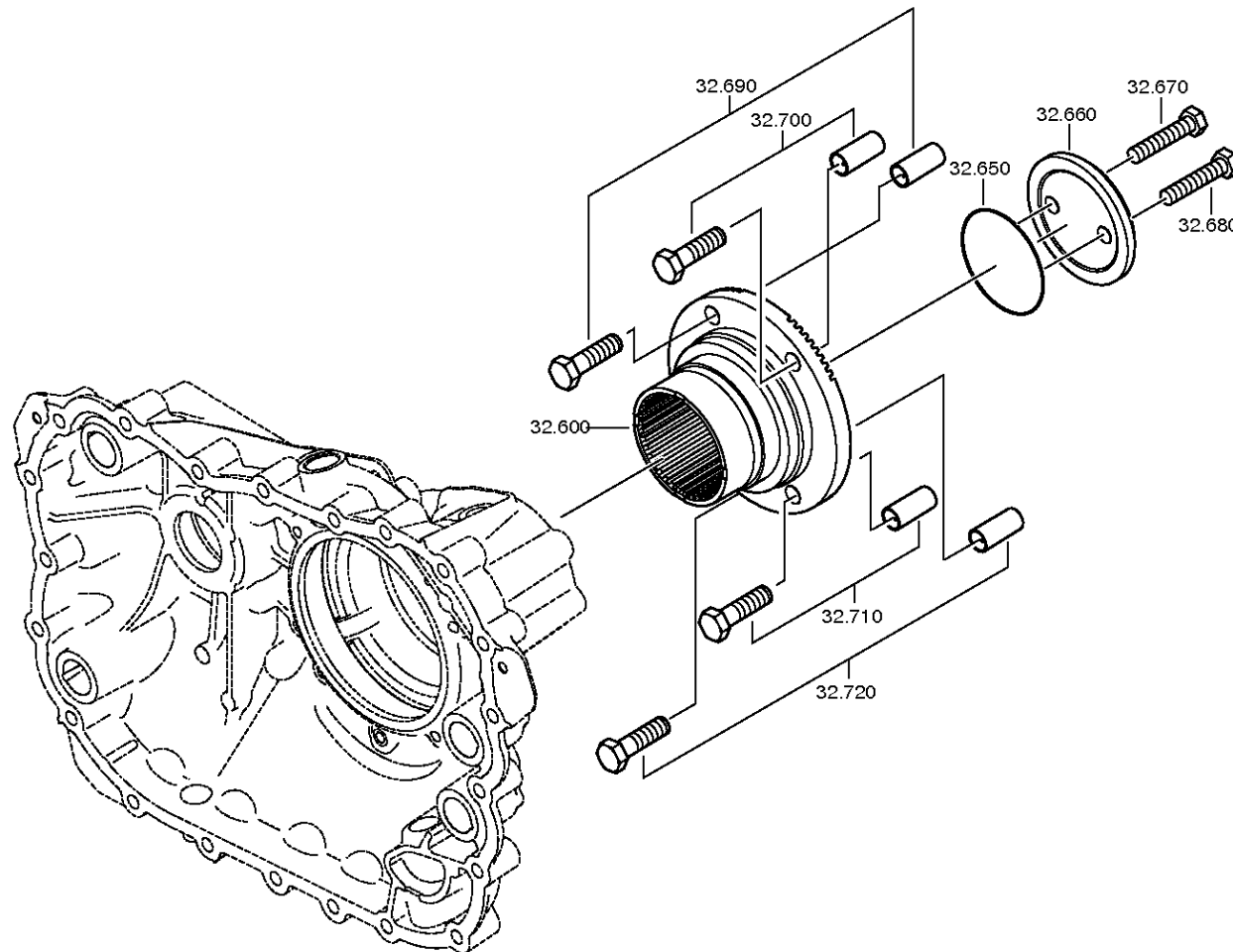
Material number: 1356.008.013

Plant: 161.44.41-1

PLANETARY DRIVE



16 S 2331 TD /
PLANETARY DRIVE



Parts list

Page 1 from 2



16 S 2331 TD /

Material number: 1356.008.013

Plant: 161.44.01-1

Material-assembly-group-no: 1325.132.003

Pos.	Material number	Customer material	Name	Quantity	ME	Amend. no.	Techn. Info.	Rep kit	Alternative material
10	1316.232.039		PLANET CARRIER	1		Z00014438013			
40	1316.232.011	5 5870 0	PLANET GEAR SET	1			KPL.		
50	0730.109.323	H0223698	INTERMEDIATE WASHER	1			A=2,30 IN 0730 105 951(2)		
60	1325.232.001		ROLLER	1			KPL.SATZ*PLANETENRAD		
70	0730.109.309	H0223831	INTERMEDIATE WASHER	1			A=7,90 IN 0730 105 951(2)		
80	1325.232.001		ROLLER	1			KPL.SATZ*PLANETENRAD		
90	0730.109.323	H0223698	INTERMEDIATE WASHER	1			A=2,30 IN 0730 105 951(2)		
100	1316.332.140		PLANET SHAFT	1		Z00014438013			
110	0631.329.147		SLOTTED PIN	1			6X26		
120	0631.329.261		SLOTTED PIN	1			3,5X26		
130	0730.109.323	H0223698	INTERMEDIATE WASHER	1			A=2,30 IN 0730 105 951(2)		
140	1325.232.001		ROLLER	1			KPL.SATZ*PLANETENRAD		
150	0730.109.309	H0223831	INTERMEDIATE WASHER	1			A=7,90 IN 0730 105 951(2)		
160	1325.232.001		ROLLER	1			KPL.SATZ*PLANETENRAD		
170	0730.109.323	H0223698	INTERMEDIATE WASHER	1			A=2,30 IN 0730 105 951(2)		
180	1316.332.140		PLANET SHAFT	1		Z00014438013			
190	0631.329.147		SLOTTED PIN	1			6X26		
200	0631.329.261		SLOTTED PIN	1			3,5X26		
210	0730.109.323	H0223698	INTERMEDIATE WASHER	1			A=2,30 IN 0730 105 951(2)		
220	1325.232.001		ROLLER	1			KPL.SATZ*PLANETENRAD		
230	0730.109.309	H0223831	INTERMEDIATE WASHER	1			A=7,90 IN 0730 105 951(2)		
240	1325.232.001		ROLLER	1			KPL.SATZ*PLANETENRAD		
250	0730.109.323	H0223698	INTERMEDIATE WASHER	1			A=2,30 IN 0730 105 951(2)		
260	1316.332.140		PLANET SHAFT	1		Z00014438013			
270	0631.329.147		SLOTTED PIN	1			6X26		
280	0631.329.261		SLOTTED PIN	1			3,5X26		
290	0730.109.323	H0223698	INTERMEDIATE WASHER	1			A=2,30 IN 0730 105 951(2)		
300	1325.232.001		ROLLER	1			KPL.SATZ*PLANETENRAD		
310	0730.109.309	H0223831	INTERMEDIATE WASHER	1			A=7,90 IN 0730 105 951(2)		
320	1325.232.001		ROLLER	1			KPL.SATZ*PLANETENRAD		
330	0730.109.323	H0223698	INTERMEDIATE WASHER	1			A=2,30 IN 0730 105 951(2)		
340	1316.332.140		PLANET SHAFT	1		Z00014438013			
350	0631.329.147		SLOTTED PIN	1			6X26		
360	0631.329.261		SLOTTED PIN	1			3,5X26		

Parts list

Page 2 from 2



16 S 2331 TD /

Material number: 1356.008.013

Plant: 161.44.01-1

Material-assembly-group-no: 1325.132.003

Pos.	Material number	Customer material	Name	Quantity	ME	Amend. no.	Techn. Info.	Rep kit	Alternative material
370	0730.109.323	H0223698	INTERMEDIATE WASHER	1			A=2,30 IN 0730 105 951(2)		
380	1325.232.001		ROLLER	1			KPL.SATZ*PLANETENRAD		
390	0730.109.309	H0223831	INTERMEDIATE WASHER	1			A=7,90 IN 0730 105 951(2)		
400	1325.232.001		ROLLER	1			KPL.SATZ*PLANETENRAD		
410	0730.109.323	H0223698	INTERMEDIATE WASHER	1			A=2,30 IN 0730 105 951(2)		
420	1316.332.140		PLANET SHAFT	1		Z00014438013			
430	0631.329.147		SLOTTED PIN	1			6X26		
440	0631.329.261		SLOTTED PIN	1			3,5X26		
500	1325.332.011		BUSH	1					
510	1316.332.130	1808019	RING GEAR CARRIER	1					
520	1315.332.041	5 5867 0	RING GEAR	1			IN 1316 332 055(1)		
530	0730.513.583		LOCKING WIRE	1			A=3,20 IN 0730 505 052(2)		
540	0735.298.169	5 8159 0	AXIAL NEEDLE BEARING	1			104,5X128,4X10,0 FA.INA		
600	1325.332.036		OUTPUT FLANGE	1		Z00020928810			
650	0634.313.805	1351646	O-RING	1			82X4		
660	1312.332.028		WASHER	1					
670	0636.011.777		HEXAGON SCREW	1		Z00007292012	M12X60		
680	0636.011.777		HEXAGON SCREW	1		Z00007292012	M12X60		
690	---		HEXAGON SCREW	1			SCHUTZKAPPE M14X50		
---	0636.011.771		HEXAGON SCREW	1		Z00007342412	M14X50		
700	---		HEXAGON SCREW	1			SCHUTZKAPPE M14X50		
---	0636.011.771		HEXAGON SCREW	1		Z00007342412	M14X50		
710	---		HEXAGON SCREW	1			SCHUTZKAPPE M14X50		
---	0636.011.771		HEXAGON SCREW	1		Z00007342412	M14X50		
720	---		HEXAGON SCREW	1			SCHUTZKAPPE M14X50		
---	0636.011.771		HEXAGON SCREW	1		Z00007342412	M14X50		

Plant

Page 1 from 1

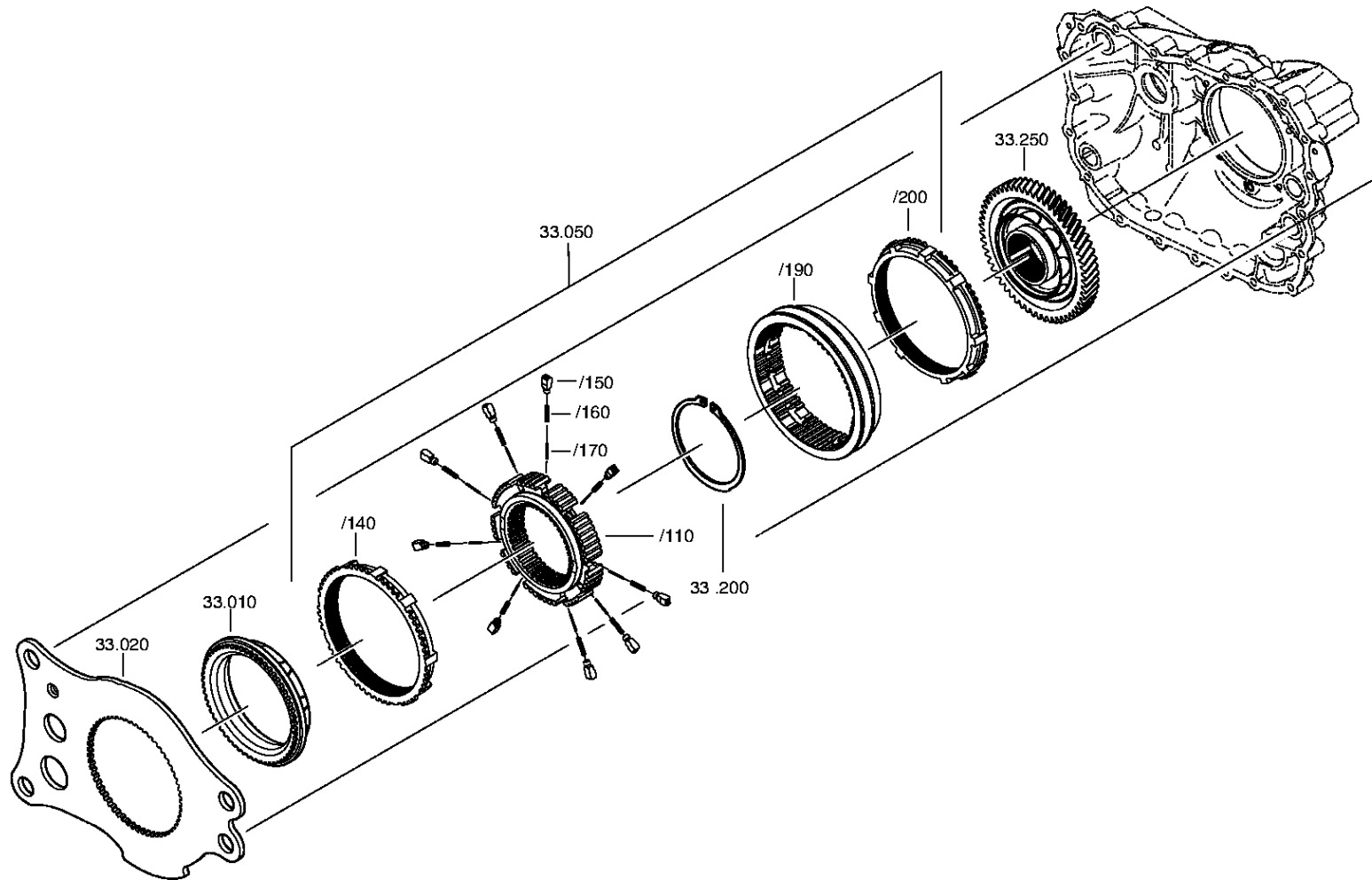
Material number: 1356.008.013

Plant: 161.45.02-1

Material-assembly-group-no: 1325.133.005



16 S 2331 TD /
SYNCHRONIZER



Parts list

Page 1 from 1



16 S 2331 TD /

Material number: 1356.008.013

Plant: 161.45.02-1

Material-assembly-group-no: 1325.133.005

Pos.	Material number	Customer material	Name	Quantity	ME	Amend. no.	Techn. Info.	Rep kit	Alternative material
10	1296.333.050	5 5302 0	CLUTCH BODY	1			ENTHALT.IN 1296.333.053(1)		
20	1325.333.016	1874356	PLATE	1					
50	1325.233.008		SYNCHRONIZER	1			KPL.GP*DRUCKGUSS		
/110	1313.333.001		SYNCHROBODY	1			ENTHALT.IN 1296 333 014(1)		
/140	1296.333.045	5 5301 0	SYNCHRORING	1					
/150	1240.304.278	3362640239	PRESSURE PART	9					
/160	0732.040.385	3362640693	COMPRESSION SPRING	9					
/170	0732.040.386	3362640793	COMPRESSION SPRING	9					
/190	1325.333.018	1831914	SLIDING SLEEVE	1					
/200	1296.333.045	5 5301 0	SYNCHRORING	1					
200	0630.501.175	0692274	RETAINING RING	1			125X3,7		
250	6093.204.010		CLUTCH BODY	1			KPL. E33		

Plant

Page 1 from 2

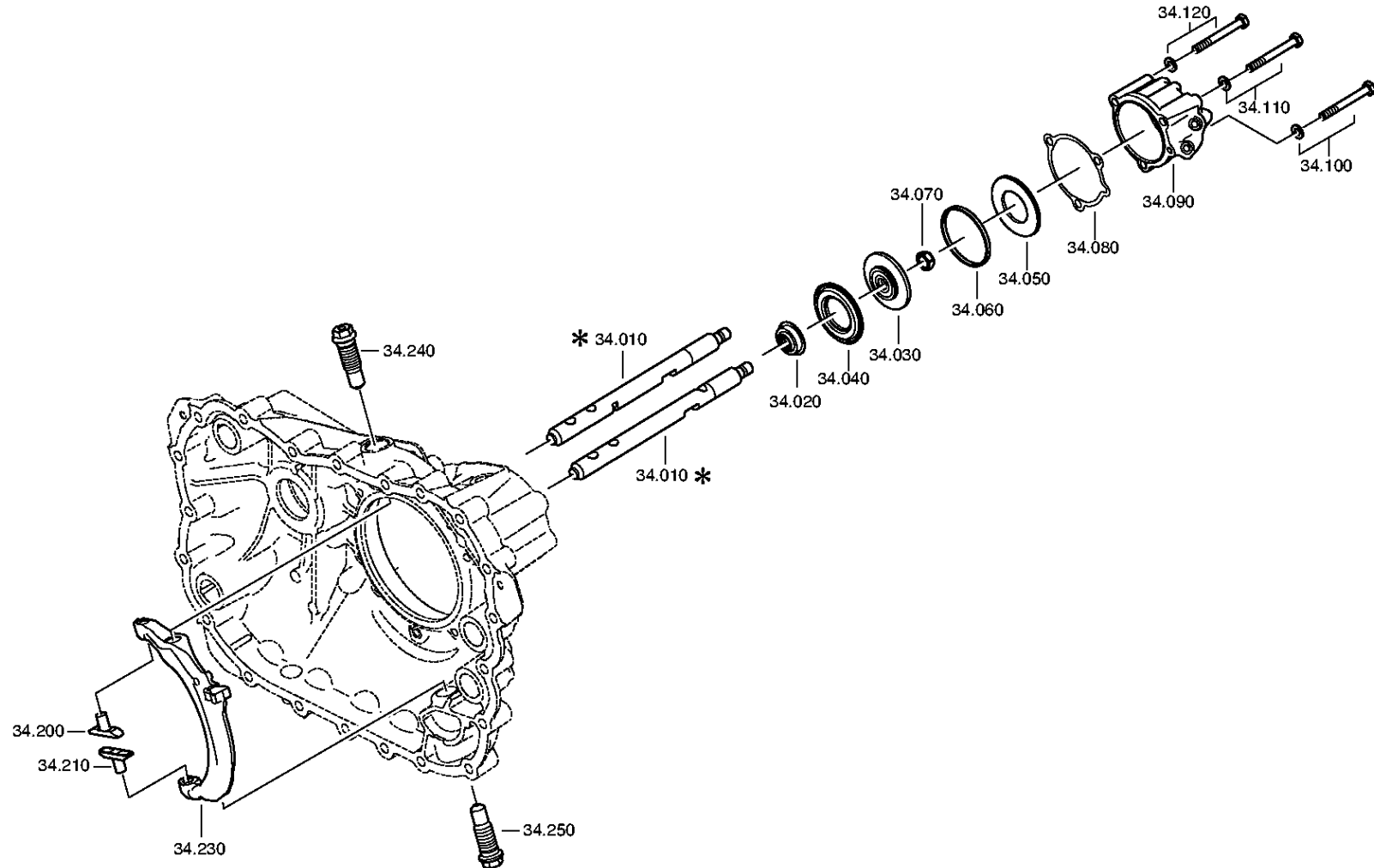
Material number: 1356.008.013

Plant: 161.46.01-1

GP SHIFT SYSTEM



16 S 2331 TD /
GP SHIFT SYSTEM



Plant

Page 2 from 2

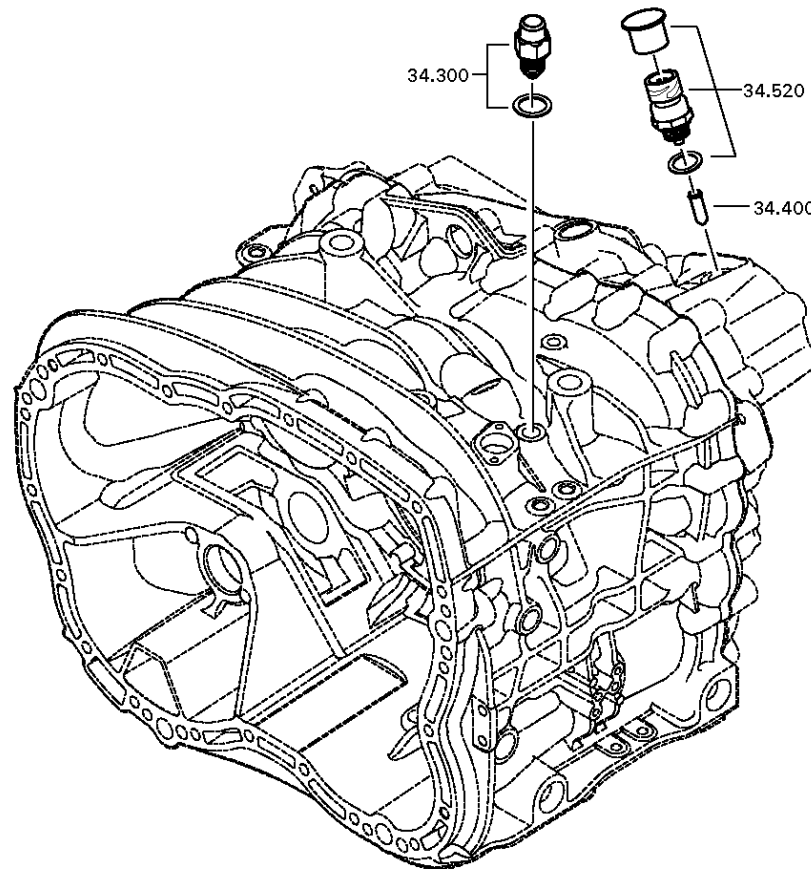
Material number: 1356.008.013

Plant: 161.46.40-1

GP SHIFT SYSTEM



16 S 2331 TD /
GP SHIFT SYSTEM



Parts list

Page 1 from 2



16 S 2331 TD /

Material number: 1356.008.013

Plant: 161.46.01-1

Material-assembly-group-no: 1325.134.007

Pos.	Material number	Customer material	Name	Quantity	ME	Amend. no.	Techn. Info.	Rep kit	Alternative material
10	1325.334.017	1831952	GEAR SHIFT RAIL	1					
20	0750.112.253	5 8342 0	FLANGE PACKING	1			25X40X15		
30	---		PISTON	1			GP		
---	1315.334.034		PISTON	1			ENTHALT.IN 1315 334 040(2)		
---	1315.334.063		PISTON	1					
40	0734.307.294	5 8400 0	SEALING RING	1			49X91X7,4 FA.KACO		
50	0734.307.294	5 8400 0	SEALING RING	1			49X91X7,4 FA.KACO		
60	0750.112.066	5 5131 0	GUIDE RING	1					
70	0737.300.037	1874075	LOCKING NUT	1			MS16X1,5		
80	0501.322.778	1831950	GASKET	1					
90	1325.334.013	1831951	CYLINDER	1			GP		
100	---		HEXAGON SCREW	1		Z00007349210	M10X90		
---	0636.015.688	1896739	HEXAGON SCREW	1		Z00007349212	M10X90		
---	0630.100.294	1894557	WASHER	1		Z00007158111			
110	---		HEXAGON SCREW	1		Z00007349210	M10X90		
---	0636.015.688	1896739	HEXAGON SCREW	1		Z00007349212	M10X90		
---	0630.100.294	1894557	WASHER	1		Z00007158111			
120	---		HEXAGON SCREW	1		Z00007349210	M10X90		
---	0636.015.688	1896739	HEXAGON SCREW	1		Z00007349212	M10X90		
---	0630.100.294	1894557	WASHER	1		Z00007158111			
200	1325.334.008	1831949	SLIDING PAD	1			GP		
210	1325.334.008	1831949	SLIDING PAD	1			GP		
230	1325.334.007	1831948	GEARSHIFT FORK	1			GP		
240	---		SWIVEL SCREW	1			O.SCHEIBE M24X1,5 SK6		
---	1315.334.074	1877888	SWIVEL SCREW	1		Z00004075610			
250	---		SWIVEL SCREW	1			O.SCHEIBE M26X1,5 SK6		
---	1315.334.068		SWIVEL SCREW	1					
300	---		DETENT PLUNGER	1			145N*50N.M		
---	1324.207.035	H0472239	DETENT PLUNGER	1			KPL. *145 N		
---	0730.008.604	1638154	SEALING RING	1					
400	1295.212.006		PIN	1			KPL.		
520	---		SWITCH	1			SCHL*45N.M*DICHTRING*BAJONETT* SCHUTZKAPPE		
---	0501.210.058	5 6104 0	SWITCH	1			KPL.		

Parts list

Page 2 from 2



16 S 2331 TD /

Material number: 1356.008.013

Plant: 161.46.01-1

Material-assembly-group-no: 1325.134.007

Pos.	Material number	Customer material	Name	Quantity	ME	Amend. no.	Techn. Info.	Rep kit	Alternative material
---	0634.801.062	1804055	SEALING RING	1			18X24		
---	0700.300.427		PROTECTION CAP	1					

Plant

Page 1 from 1

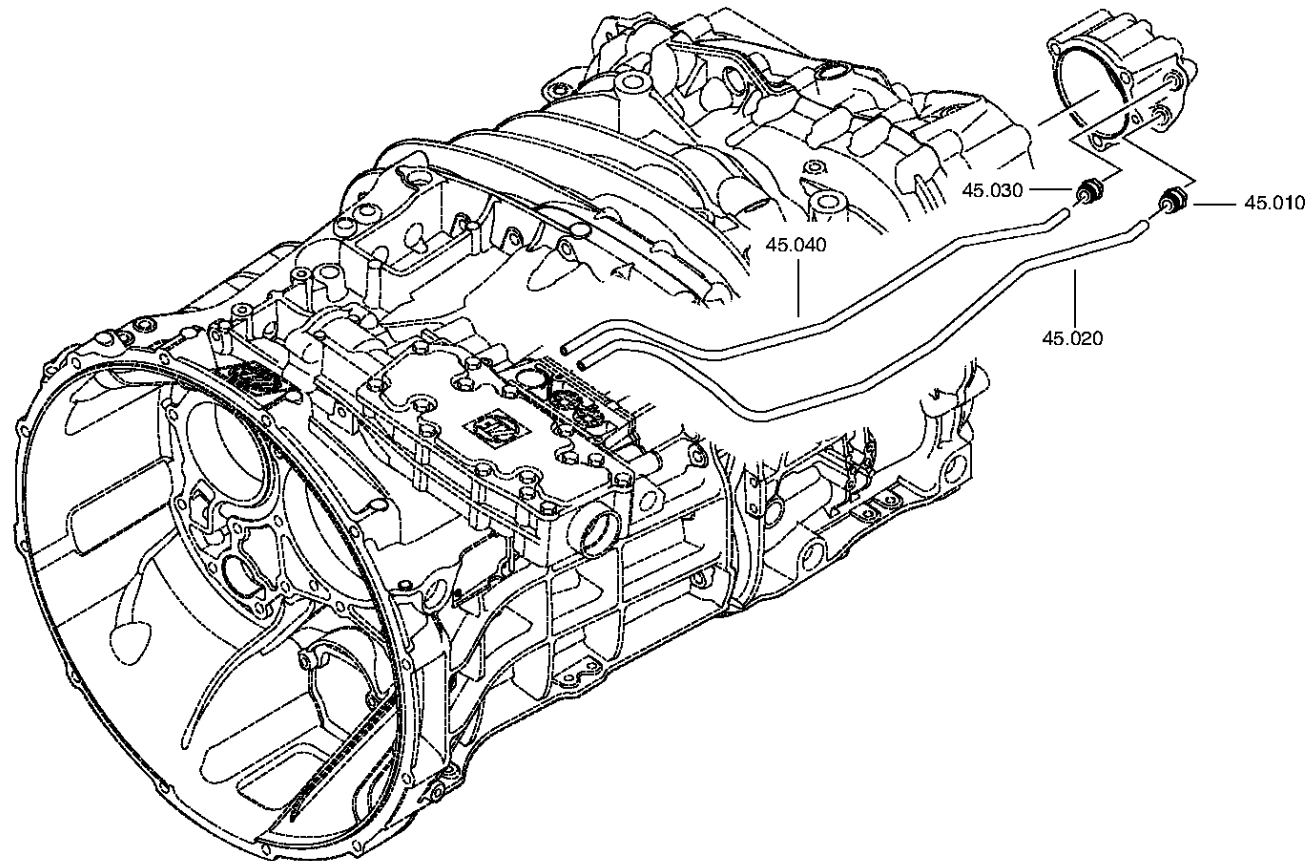
Material number: 1356.008.013

Plant: 161.57.01-1

Material-assembly-group-no: 1325.145.003



16 S 2331 TD /
RANGE SELECTION



Parts list

Page 1 from 1



16 S 2331 TD /

Material number: 1356.008.013

Plant: 161.57.01-1

Material-assembly-group-no: 1325.145.003

Pos.	Material number	Customer material	Name	Quantity	ME	Amend. no.	Techn. Info.	Rep kit	Alternative material
10	0501.324.029		PLUG-IN COUPLING	1					
20	1325.345.006		TUBE	1			E13MP		
30	0501.324.029		PLUG-IN COUPLING	1					
40	1325.345.007		TUBE	1			E13MP		

Plant

Page 1 from 1

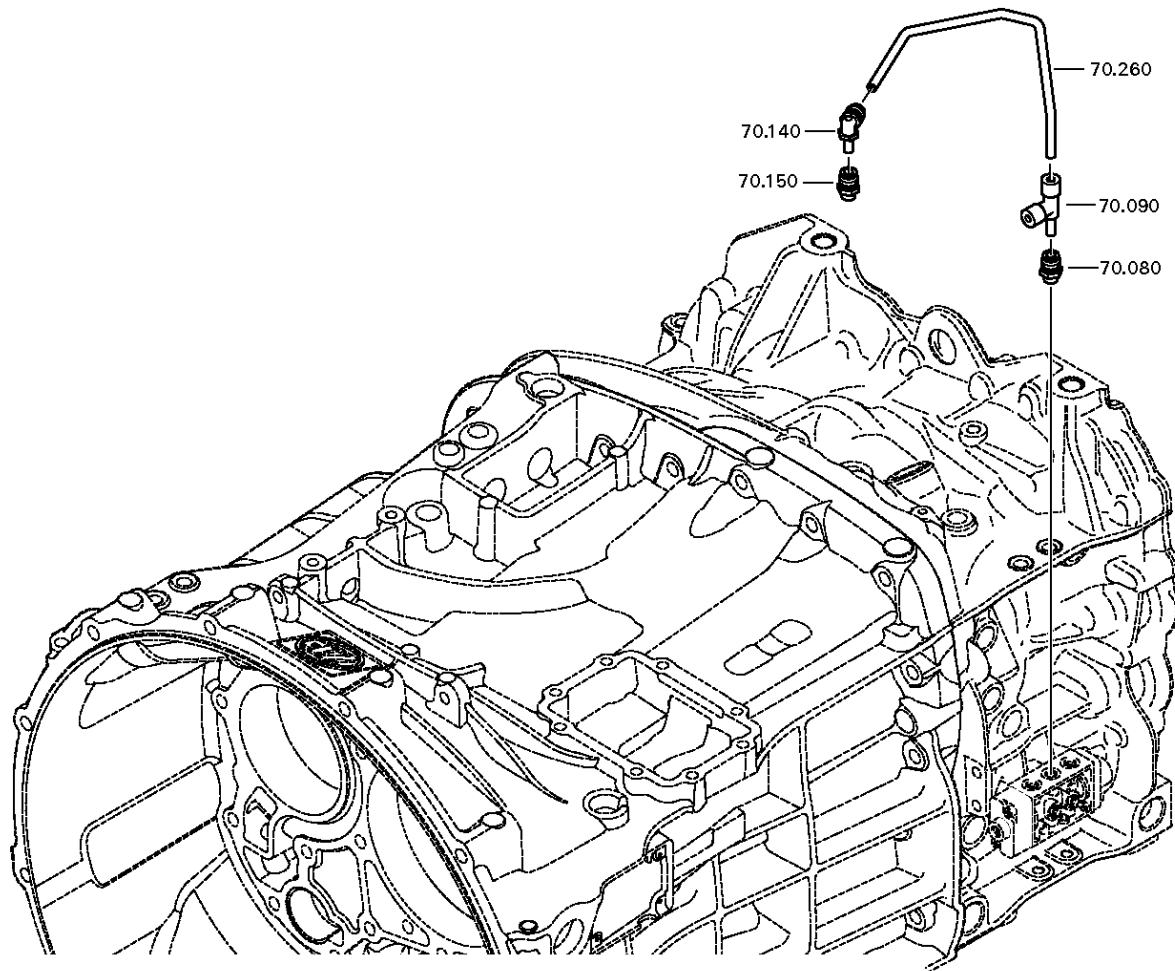
Material number: 1356.008.013

Plant: 161.70.07-1

Material-assembly-group-no: 1356.170.005



16 S 2331 TD /
SHUT-OFF VALVE



Parts list

Page 1 from 1



16 S 2331 TD /

Material number: 1356.008.013

Plant: 161.70.07-1

Material-assembly-group-no: 1356.170.005

Pos.	Material number	Customer material	Name	Quantity	ME	Amend. no.	Techn. Info.	Rep kit	Alternative material
80	0501.324.666		PLUG-IN COUPLING	1		Z00007398910	M12X1,5 ROHR 8MM DROSSEL		
90	0501.326.011		PLUG-IN COUPLING	1			PARKER T-STUECK 1X6 TUBE 1X8 TUBE UND 8 SP		
92	0637.510.118		PROTECTING SLEEVE	1					
140	0501.324.666		PLUG-IN COUPLING	1			M12X1,5 ROHR 8MM DROSSEL		
150	0501.324.456		PLUG-IN COUPLING	1					
260	1325.345.028		TUBE	1					

Plant

Page 1 from 1

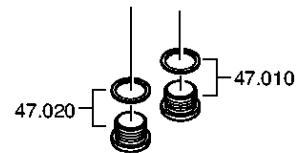
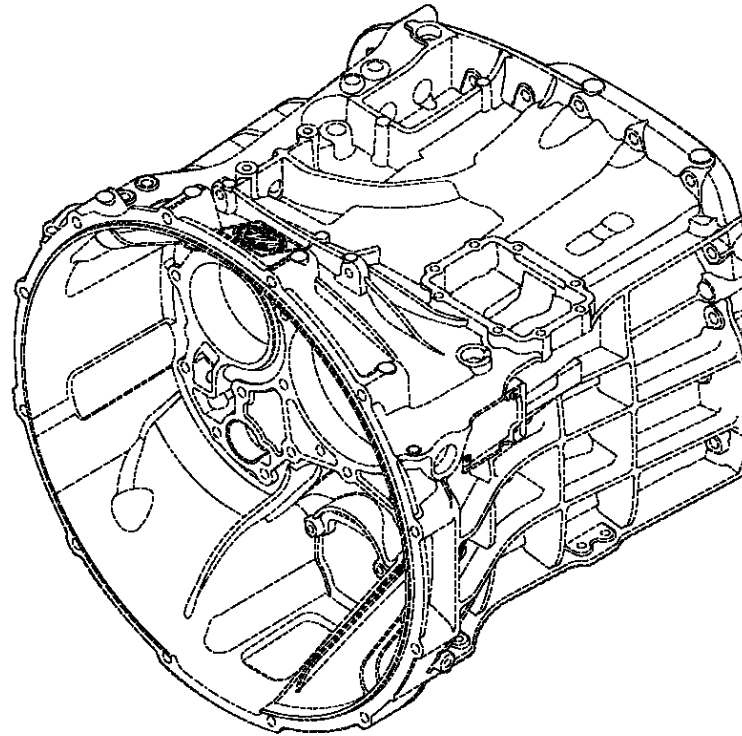
Material number: 1356.008.013

Plant: 161.90.08

Material-assembly-group-no: 1325.147.009



16 S 2331 TD /
SCREW PLUG



Parts list

Page 1 from 1



16 S 2331 TD /

Material number: 1356.008.013

Plant: 161.90.08

Material-assembly-group-no: 1325.147.009

Pos.	Material number	Customer material	Name	Quantity	ME	Amend. no.	Techn. Info.	Rep kit	Alternative material
10	---		SCREW PLUG	1		Z00010164013	50N.M*DICHTRING M22X1,5		
---	0636.100.824		SCREW PLUG	1		Z00010164019	M22X1,5		
---	0730.009.515	0730009515	SEALING RING	1		Z00010164019	A22X27		
20	---		SCREW PLUG	1		Z00010164013	50N.M*DICHTRING M22X1,5		
---	0636.100.824		SCREW PLUG	1		Z00010164019	M22X1,5		
---	0730.009.515	0730009515	SEALING RING	1		Z00010164019	A22X27		

Plant

Page 1 from 1

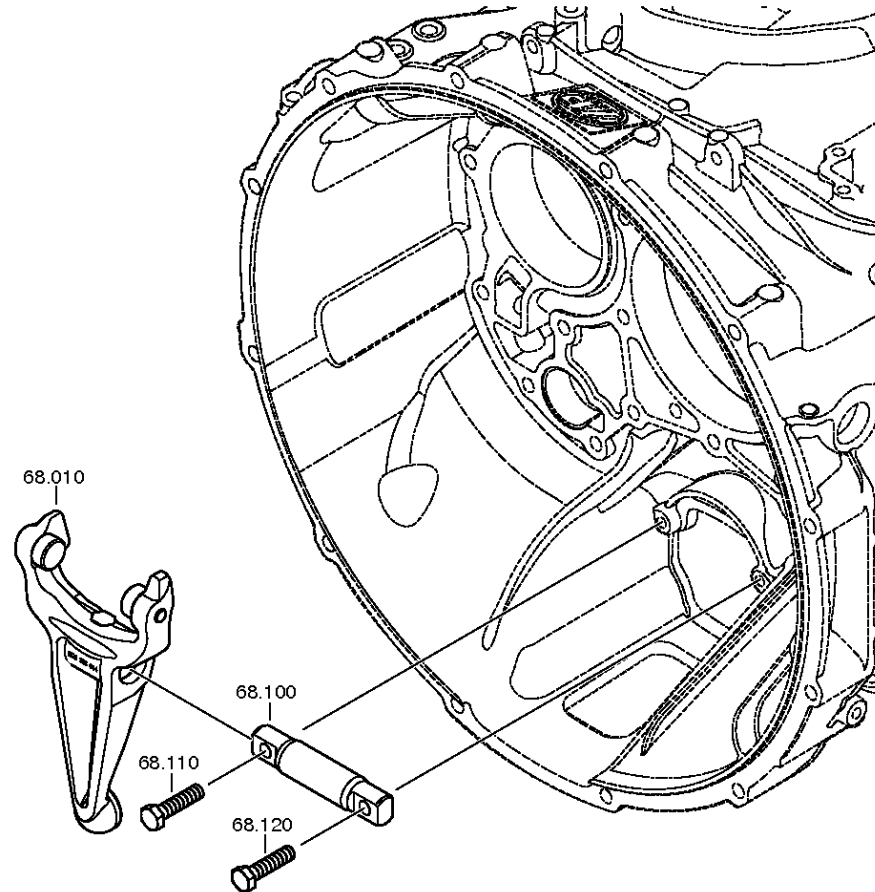
Material number: 1356.008.013

Plant: 161.93.25-1

CLUTCH RELEASE DEVICE



16 S 2331 TD /
CLUTCH RELEASE DEVICE



Parts list

Page 1 from 1



16 S 2331 TD /

Material number: 1356.008.013

Plant: 161.93.25-1

Material-assembly-group-no: 1325.168.005

Pos.	Material number	Customer material	Name	Quantity	ME	Amend. no.	Techn. Info.	Rep kit	Alternative material
10	1328.268.012	1860299	RELEASE FORK	1		Z00004402510	KPL*GABELWEITE 116,0*KUGEL D=22*I=2,00*MIT ROLLE*1-SK		
/110	1328.368.044		RELEASE FORK	1		Z00004402511			
/120	0501.331.258		BALL CUP	1		Z00021393210			
/130	0501.323.199		BEARING BUSH	1		Z00004402511			
/150	0501.214.560		CAM FOLLOWER	1		Z00004402511	KPL.		
/160	0501.214.560		CAM FOLLOWER	1		Z00004402511	KPL.		
100	1328.368.001	871180008	RELEASE SHAFT	1					
110	0636.016.416		HEXAGON SCREW	1		Z00015886110	M12X50		
120	0636.016.416		HEXAGON SCREW	1		Z00015886110	M12X50		
262	1315.301.230	1454283	PROTECTION CAP	1					

Technical Cover

Page 1 from 1

Material number: 6093.050.007



IT 3 ECOSPLIT T /

Pos.	Information	Amendment number
001	Use case -----	
002	Customer DAF TRUCKS N.V.	
003	City EINDHOVEN	
004	DUNS 41-579-9402	
005	Product description -----	
006	BREMSLEISTUNG MAX 600 kW	
007	BREMSMOMENT MAX 3500 Nm	
008	RATIO 2.035	
009	DESIGN, TRANSMISSION MANUALLY	
010	Documents -----	
011	INTARDER Drawing 6093.060.002	
012	TEST SPECIFICATION Text-document 6093.700.001	
013	IT 3 ECOSPLIT T Drawing 6093.050.012	

Assembly group overview

Page 1 from 1

Material number: 6093.050.007



16 S 2331 TD /

Graphics	Pos.	Material number	Name	Quantity	Amend. no.	Techn. Info.
	910	6093.001.019	IT 3 TRUCK	1		
155.C2.02-1	916	6070.004.002	EST 52	1		
155.E2.01-1	920	6093.109.800	ANCHORAGE	1		

Plant

Page 1 from 1

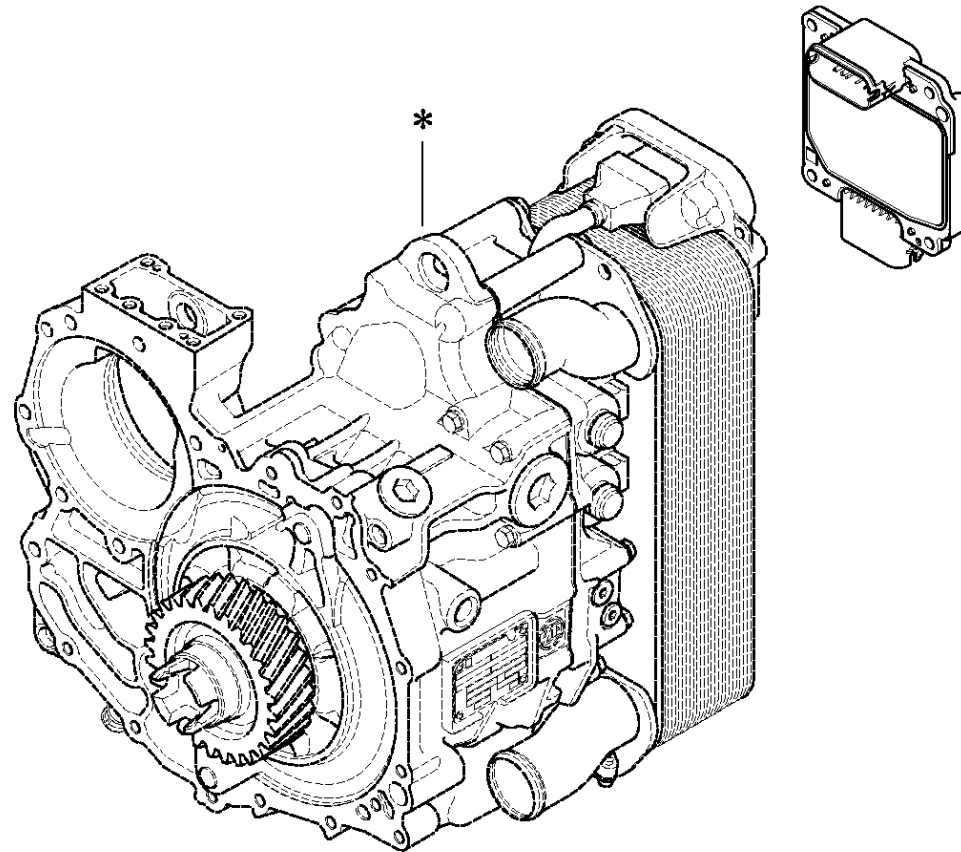
Material number: 6093.050.007

Plant: 155.C2.02-1

Material-assembly-group-no: 6070.004.002



16 S 2331 TD /
EST 52



Parts list

Page 1 from 1

Material number: 6093.050.007

Plant: 155.C2.02-1

Material-assembly-group-no: 6070.004.002



16 S 2331 TD /

Pos.	Material number	Customer material	Name	Quantity	ME	Amend. no.	Techn. Info.	Rep kit	Alternative material
916	6070.004.002		EST 52	1			INTARDER 3 *DAF		

Plant

Page 1 from 1

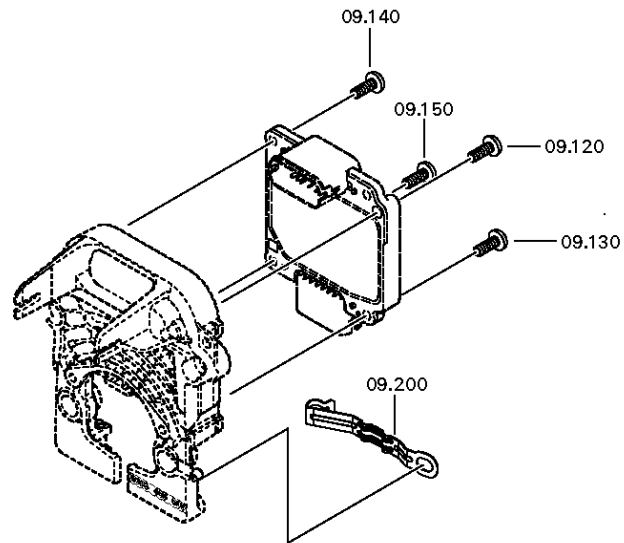
Material number: 6093.050.007

Plant: 155.E2.01-1

Material-assembly-group-no: 6093.109.800



16 S 2331 TD /
ANCHORAGE



Parts list

Page 1 from 1

Material number: 6093.050.007

Plant: 155.E2.01-1

Material-assembly-group-no: 6093.109.800



16 S 2331 TD /

Pos.	Material number	Customer material	Name	Quantity	ME	Amend. no.	Techn. Info.	Rep kit	Alternative material
120	0636.102.673		HEXALOBULAR DRIVING SCREW	1		Z00015420210	M6X16		
130	0636.102.673		HEXALOBULAR DRIVING SCREW	1		Z00015420210	M6X16		
140	0636.102.673		HEXALOBULAR DRIVING SCREW	1		Z00015420210	M6X16		
150	0636.102.673		HEXALOBULAR DRIVING SCREW	1		Z00015420210	M6X16		
200	0501.326.597		CLAMPING BRACKET	1					

Technical Cover

Page 1 from 1

Material number: 6093.001.019



IT 3 TRUCK /

Pos.	Information	Amendment number
001	Use case -----	
002	Customer DAF TRUCKS N.V.	
003	City EINDHOVEN	
004	DUNS 41-579-9402	
005	Product description -----	
006	RATIO 2.035	
008	RETARDERADAPTION ANWENDUNG TRUCK	
009	DESIGN, RETARDER POWER	
010	RETARDERADAPTION VERWENDUNG ECOSPLIT/ASTRONIC	
011	ATTACHM. POS., HEAT EXCHANGER LEFT HAND	
012	DIA,WATER CONN,HEAT ECXHANGER 50	
013	AUSF WASSERABGANG WAERMETAUSCH WA-VORNE	
014	ATTACHMENT POS. ELECTR.CONTROL BOTTOM	
015	DESIGN, CENTRAL WIRING WT LEFT ECU BOTTEM	
016	Documents -----	

Assembly group overview

Page 1 from 1



Material number: 6093.001.019

16 S 2331 TD /

Graphics	Pos.	Material number	Name	Quantity	Amend. no.	Techn. Info.
155.01.10-1	110	6093.101.012	HOUSING	1		
155.02.01-1	210	6093.102.002	CONTROL UNIT	1		
155.02.80-1	220	6093.102.800	CONTROL UNIT	1		
155.04.01-1	300	6093.104.003	RETARDER	1		
155.04.80-1	310	6093.104.800	RETARDER	1		
155.05.03-1	400	6093.105.004	HEAT EXCHANGER	1		
155.05.81-1	410	6093.105.800	HEAT EXCHANGER	1		
155.07.03-1	500	6093.107.003	WIRING	1		

Plant

Page 1 from 1

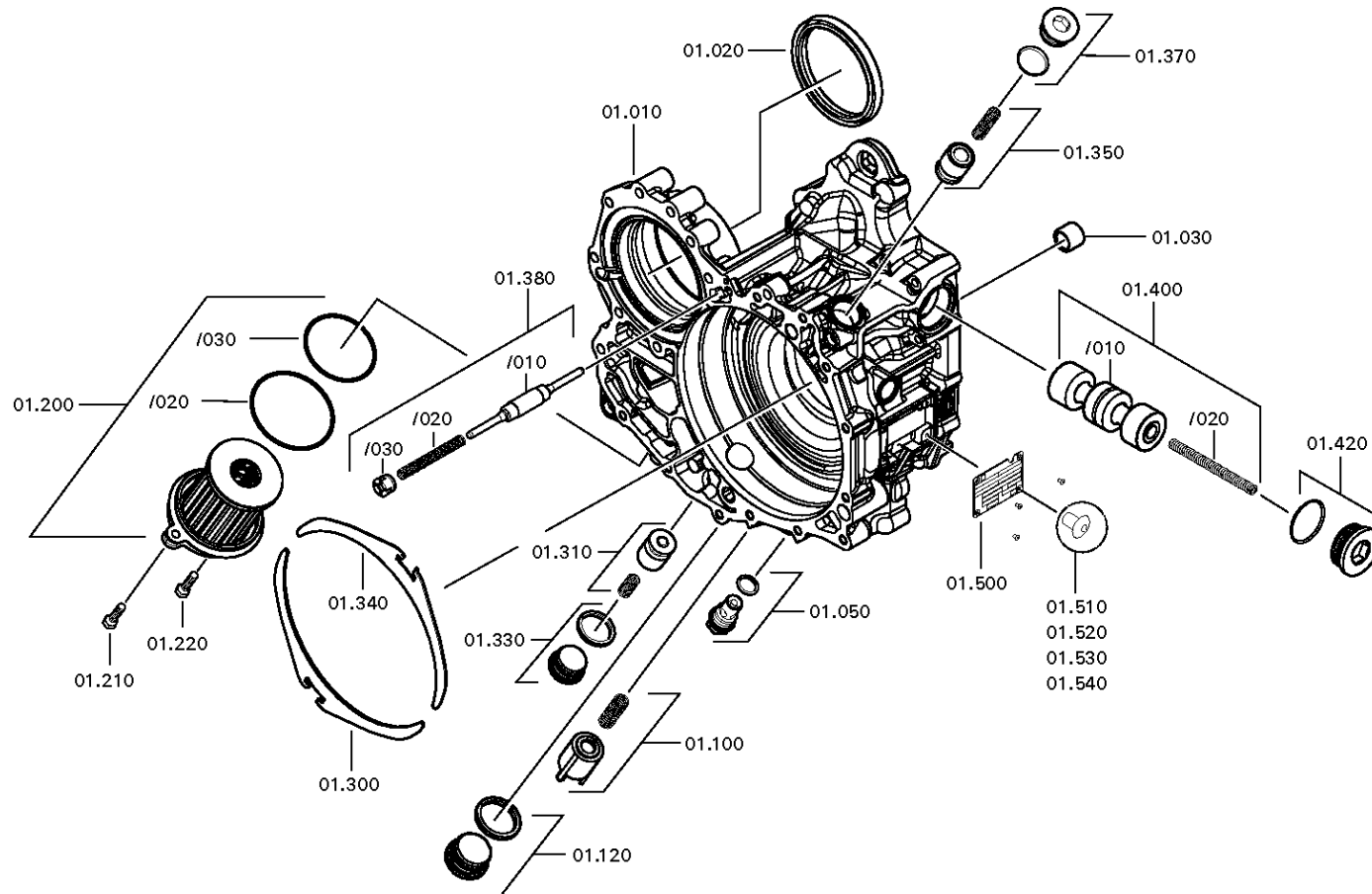
Material number: 6093.001.019

Plant: 155.01.10-1

Material-assembly-group-no: 6093.101.012



16 S 2331 TD /
HOUSING



Parts list

Page 1 from 2



16 S 2331 TD /

Material number: 6093.001.019

Plant: 155.01.10-1

Material-assembly-group-no: 6093.101.012

Pos.	Material number	Customer material	Name	Quantity	ME	Amend. no.	Techn. Info.	Rep kit	Alternative material
10	6093.301.056		HOUSING	1			LKW*GD*ALLRAD*ENTLEERVENTIL		
20	---		SHAFT SEAL	1					
---	0734.300.421		SHAFT SEAL	1			105X125X12/16		
30	0635.301.124	1832019	NEEDLE BEARING	1			18X26X20		
50	---		SCREW PLUG	1			60N.M*O-RING MIT GLEIT-IE M24X1,5		
---	0736.300.163		SCREW PLUG	1		Z00010176411	M24X1,5 M24X1,5		
---	0634.349.842	99707034432	O-RING	1		Z00010176411	21X2		
100	6093.201.021	1832018	PISTON	1			FUER BEFUELLVENTIL		
/10	6093.301.044		PISTON	1			SCHNELLEBFUELLVENTIL		
/20	0732.042.389		COMPRESSION SPRING	1					
120	---		SCREW PLUG	1			M42X1,5		
---	0636.100.479		SCREW PLUG	1		Z00010744510	M42X1,5		
---	0634.349.844		O-RING	1		Z00010744510	38X2,5		
200	0501.215.163	1828379	SUCTION FILTER	1			KPL. *		
/20	0634.316.699		O-RING	1			91X3		
/30	0634.316.700		O-RING	1			78X3		
210	0636.100.798		HEXAGON SCREW	1		Z00007891411	M8X32		
220	0636.100.798		HEXAGON SCREW	1		Z00007891411	M8X32		
300	6093.301.051	1832017	OIL DAM	1					
310	6093.201.042	1944336	PISTON	1			KPL. FÜR REDUZ.		
/20	0732.300.025		COMPRESSION SPRING	1					
330	---		SCREW PLUG	1			M33X2		
---	0736.300.153		SCREW PLUG	1		Z00010174810	M33X2 ERZ. M33X2		
---	0634.349.843		O-RING	1		Z00010174810	30X2,5		
340	6093.301.051	1832017	OIL DAM	1					
350	6093.201.042	1944336	PISTON	1			KPL. FÜR REDUZ.		
/20	0732.300.025		COMPRESSION SPRING	1					
370	---		SCREW PLUG	1			M33X2		
---	0736.300.153		SCREW PLUG	1		Z00010174810	M33X2 ERZ. M33X2		
---	0634.349.843		O-RING	1		Z00010174810	30X2,5		
380	6093.201.041		PISTON	1			FUER ENTLEERVENTIL		
/10	6093.301.069		PISTON	1			ENTLEERVENTIL		
/20	0732.042.856		COMPRESSION SPRING	1			CFT23-WSV		
400	6093.201.020		PISTON	1			FUER HAUPTUMSCHALTVENTIL		

Parts list

Page 2 from 2



16 S 2331 TD /

Material number: 6093.001.019

Plant: 155.01.10-1

Material-assembly-group-no: 6093.101.012

Pos.	Material number	Customer material	Name	Quantity	ME	Amend. no.	Techn. Info.	Rep kit	Alternative material
/10	6093.301.043		PISTON	1			HAUPTUMSCHALTVENTIL		
/20	0732.042.558		COMPRESSION SPRING	1					
420	---		SCREW PLUG	1			M48X1,5		
---	0736.300.223		SCREW PLUG	1			M48X1,5		
---	0634.349.845		O-RING	1			42X2,5		
500	0730.365.241		TYPE PLATE	1			EINHEITSSCH. VERDREHSICHER		
510	0731.300.027		BLIND RIVET	1					
520	0731.300.027		BLIND RIVET	1					
530	0731.300.027		BLIND RIVET	1					
540	0731.300.027		BLIND RIVET	1					

Plant

Page 1 from 4

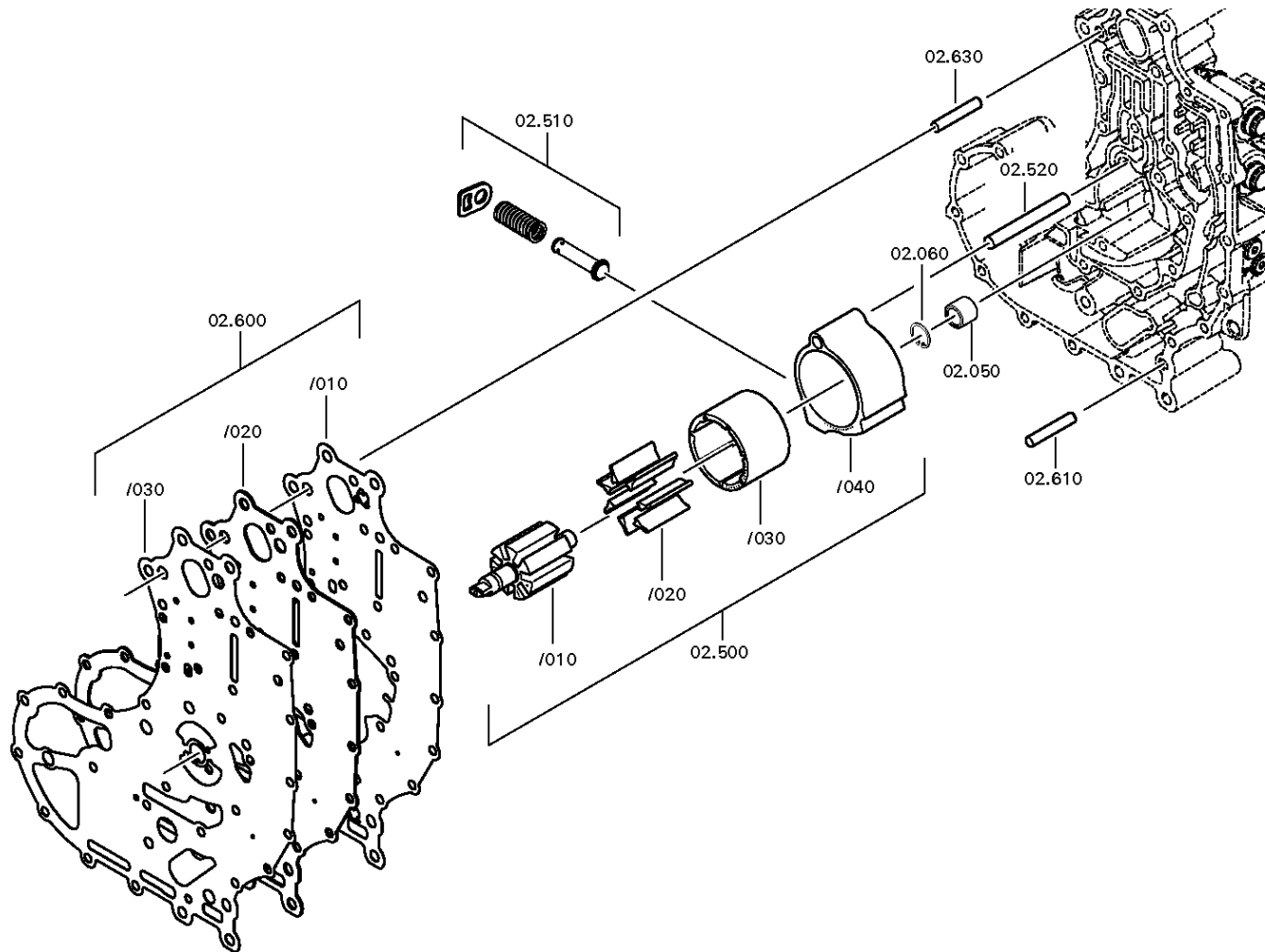
Material number: 6093.001.019

Plant: 155.02.01-1

CONTROL UNIT



16 S 2331 TD /
CONTROL UNIT



Plant

Page 2 from 4

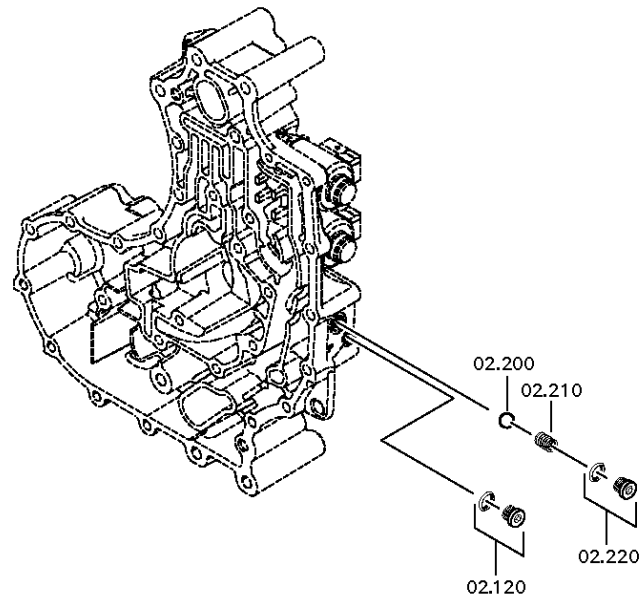
Material number: 6093.001.019

Plant: 155.02.01-2

CONTROL UNIT



16 S 2331 TD /
CONTROL UNIT



Plant

Page 3 from 4

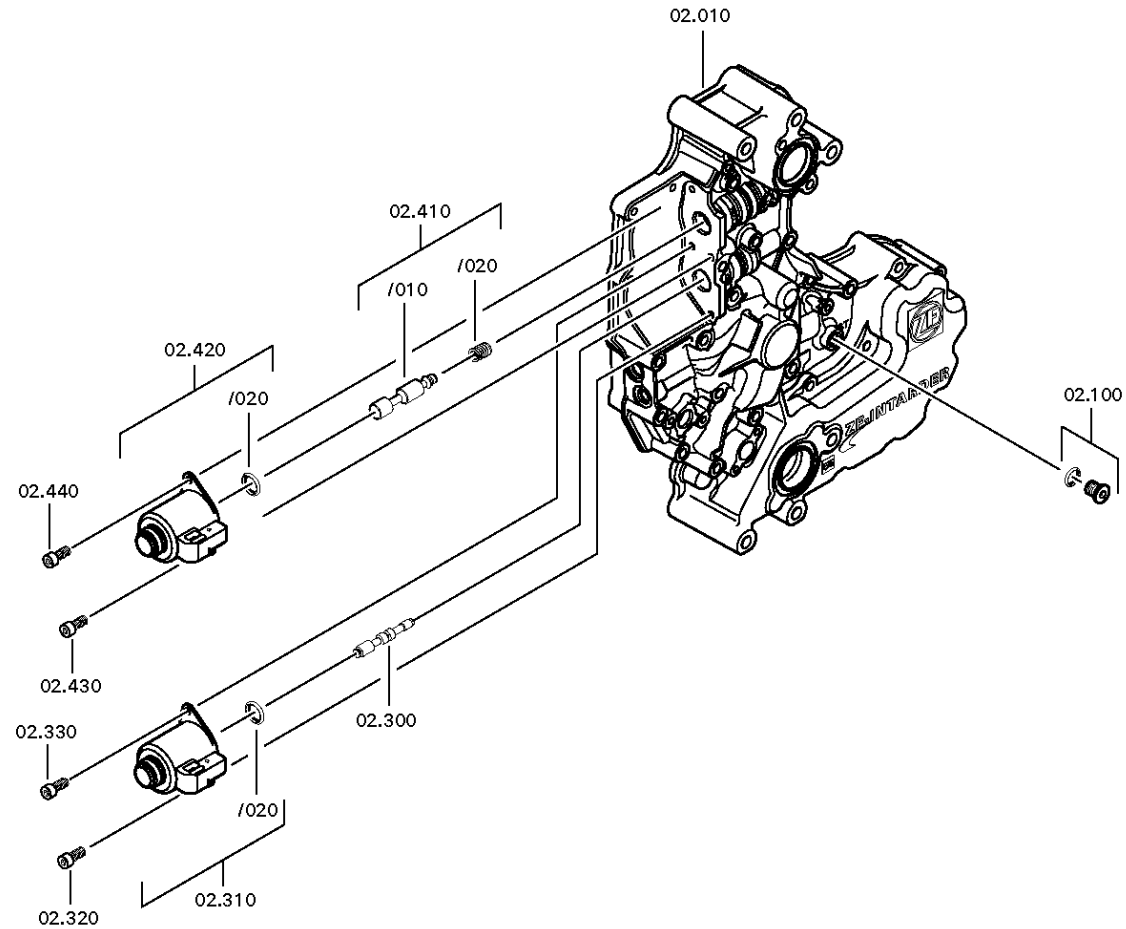
Material number: 6093.001.019

Plant: 155.02.01-3

CONTROL UNIT



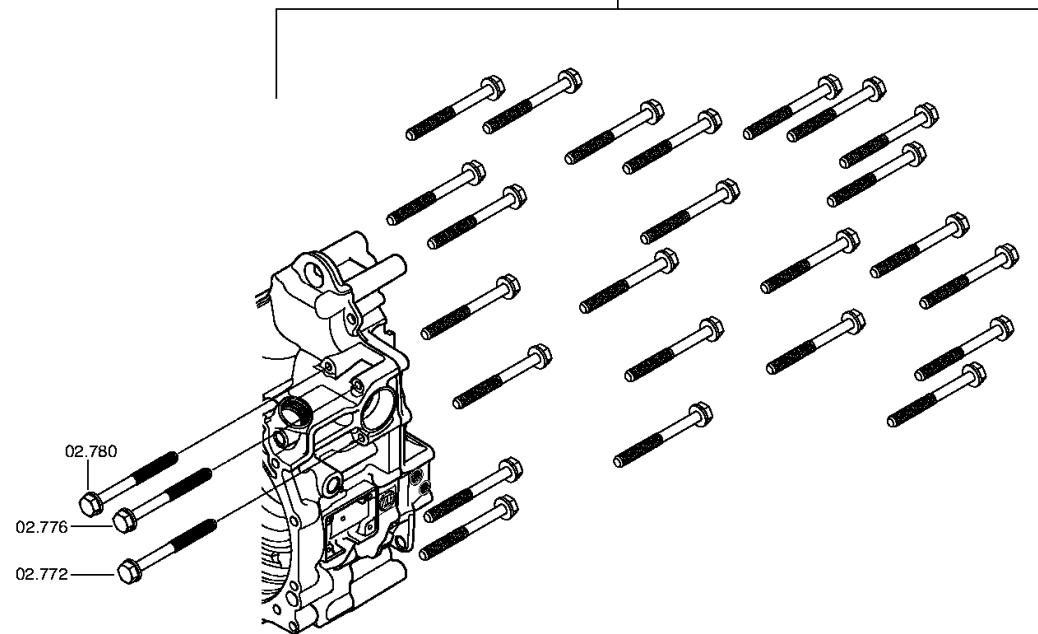
16 S 2331 TD /
CONTROL UNIT





Bildtafel:
Figure: 155.02.80
Figure:
Figura:

02.700	02.716	02.732	02.748	02.764	02.792
02.704	02.720	02.736	02.752	02.768	02.796
02.708	02.724	02.740	02.756	02.784	02.800
02.712	02.728	02.744	02.760	02.788	02.804



Parts list

Page 1 from 3



16 S 2331 TD /

Material number: 6093.001.019

Plant: 155.02.01-1

Material-assembly-group-no: 6093.102.002

Pos.	Material number	Customer material	Name	Quantity	ME	Amend. no.	Techn. Info.	Rep kit	Alternative material
10	6093.302.042	1948324	CONTROL HOUSING	1			INTARDER IT3		
50	0635.301.425	1832006	NEEDLE BEARING	1			16X24X22		
60	0630.502.010		RETAINING RING	1			24X1,2		
100	---		SCREW PLUG	1		Z00010162912	25N.M*O-RING M12X1,5		
---	0636.100.792		SCREW PLUG	1		Z00010162916	M12X1,5		
---	0634.349.840		O-RING	1		Z00010162916	9,5X2		
120	---		SCREW PLUG	1		Z00010162912	25N.M*O-RING M12X1,5		
---	0636.100.792		SCREW PLUG	1		Z00010162916	M12X1,5		
---	0634.349.840		O-RING	1		Z00010162916	9,5X2		
200	0635.460.023	1000000325	BALL	1			12		
210	1204.304.116		COMPRESSION SPRING	1					
220	---		SCREW PLUG	1		Z00010111911	25N.M*O-RING MIT GLEIT-IE M14X1,5		
---	0636.100.689		SCREW PLUG	1		Z00010111910	M14X1,5		
---	0634.349.846		O-RING	1		Z00010111910	11X2		
300	6093.302.025		PISTON	1			FUER STEUERVENTIL		
310	0501.330.120		MAGNET	1		Z00016552610			
320	0636.102.673		HEXALOBULAR DRIVING SCREW	1		Z00015420210	M6X16		
330	0636.102.673		HEXALOBULAR DRIVING SCREW	1		Z00015420210	M6X16		
410	6093.202.003		PISTON	1		Z00009388710	FUER SCHALTVENTIL		
/10	6093.302.039		PISTON	1					
/20	0732.042.270		COMPRESSION SPRING	1					
420	0501.330.120		MAGNET	1		Z00016552610			
430	0636.102.673		HEXALOBULAR DRIVING SCREW	1		Z00015420210	M6X16		
440	0636.102.673		HEXALOBULAR DRIVING SCREW	1		Z00015420210	M6X16		
500	0501.217.385		PUMP	1		Z00017143510			
/10	0501.326.406		ROTOR	1					
/20	0501.326.405		PENDULUM	7					
/30	0501.326.407		CAGE	1					
/40	0501.325.970		RING SLIDE	1					
510	6093.203.001		SET OF SPRINGS	1			KPL. PUMPE		

Parts list

Page 2 from 3



16 S 2331 TD /

Material number: 6093.001.019

Plant: 155.02.01-1

Material-assembly-group-no: 6093.102.002

Pos.	Material number	Customer material	Name	Quantity	ME	Amend. no.	Techn. Info.	Rep kit	Alternative material
520	0631.306.874		CYLINDRICAL PIN	1			12X100		
600	0501.217.473		GASKET	1		Z00010574910	KPL. SERIENWERKZEUG ZWISCHENBLECH		
/10	0501.326.584		GASKET	1			SERIENWERKZEUG ZWISCHENBLECH IT-GEHAEUSE		
/20	0501.326.586		INTERMEDIATE PLATE	1			SERIENWERKZEUG ZWISCHENBLECH IT-GEHAEUSE		
/30	0501.326.585		GASKET	1			SERIENWERKZEUG ZWISCHENBLECH ST-GEHAEUSE		
610	0631.100.005		CYLINDRICAL PIN	1			10X75		
630	0631.100.005		CYLINDRICAL PIN	1			10X75		
700	0736.300.137	1197869	HEXAGON SCREW	1			M8X80 M8X80		
704	0736.300.137	1197869	HEXAGON SCREW	1			M8X80 M8X80		
708	0736.300.137	1197869	HEXAGON SCREW	1			M8X80 M8X80		
712	0736.300.137	1197869	HEXAGON SCREW	1			M8X80 M8X80		
716	0736.300.137	1197869	HEXAGON SCREW	1			M8X80 M8X80		
720	0736.300.137	1197869	HEXAGON SCREW	1			M8X80 M8X80		
724	0736.300.137	1197869	HEXAGON SCREW	1			M8X80 M8X80		
728	0736.300.137	1197869	HEXAGON SCREW	1			M8X80 M8X80		
732	0736.300.137	1197869	HEXAGON SCREW	1			M8X80 M8X80		
736	0736.300.137	1197869	HEXAGON SCREW	1			M8X80 M8X80		
740	0736.300.137	1197869	HEXAGON SCREW	1			M8X80 M8X80		
744	0736.300.137	1197869	HEXAGON SCREW	1			M8X80 M8X80		
748	0736.300.137	1197869	HEXAGON SCREW	1			M8X80 M8X80		
752	0736.300.137	1197869	HEXAGON SCREW	1			M8X80 M8X80		
756	0736.300.137	1197869	HEXAGON SCREW	1			M8X80 M8X80		
760	0736.300.137	1197869	HEXAGON SCREW	1			M8X80 M8X80		
764	0736.300.137	1197869	HEXAGON SCREW	1			M8X80 M8X80		
768	0736.300.137	1197869	HEXAGON SCREW	1			M8X80 M8X80		
772	0736.300.137	1197869	HEXAGON SCREW	1			M8X80 M8X80		
776	0736.300.137	1197869	HEXAGON SCREW	1			M8X80 M8X80		
780	0736.300.137	1197869	HEXAGON SCREW	1			M8X80 M8X80		
784	0736.300.137	1197869	HEXAGON SCREW	1			M8X80 M8X80		
788	0736.300.137	1197869	HEXAGON SCREW	1			M8X80 M8X80		

Parts list

Page 3 from 3



16 S 2331 TD /

Material number: 6093.001.019

Plant: 155.02.01-1

Material-assembly-group-no: 6093.102.002

Pos.	Material number	Customer material	Name	Quantity	ME	Amend. no.	Techn. Info.	Rep kit	Alternative material
792	0736.300.137	1197869	HEXAGON SCREW	1			M8X80 M8X80		
796	0736.300.137	1197869	HEXAGON SCREW	1			M8X80 M8X80		
800	0736.300.137	1197869	HEXAGON SCREW	1			M8X80 M8X80		
804	0736.300.137	1197869	HEXAGON SCREW	1			M8X80 M8X80		

Plant

Page 1 from 2

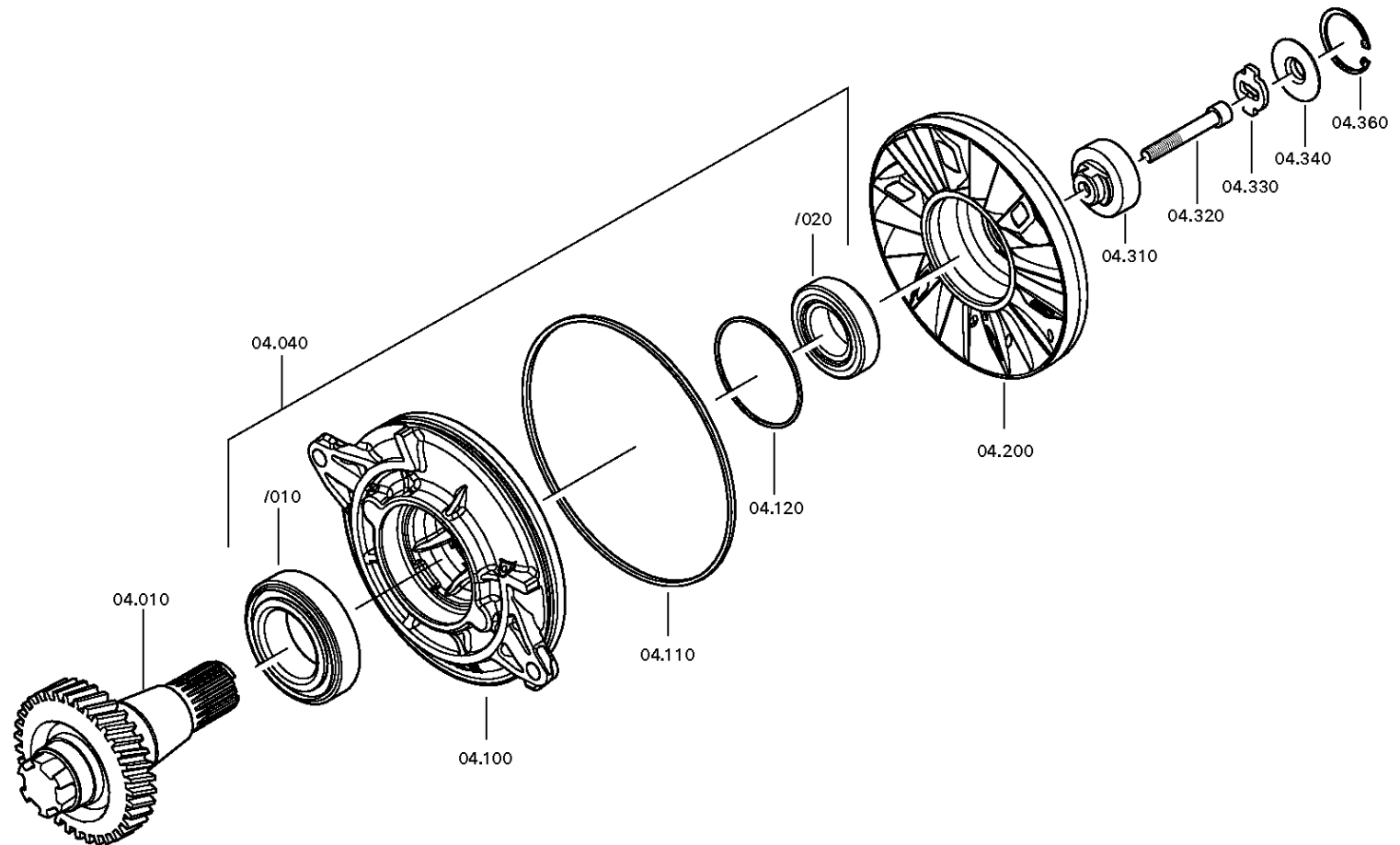
Material number: 6093.001.019

Plant: 155.04.01-1

RETARDER



16 S 2331 TD /
RETARDER



Plant

Page 2 from 2

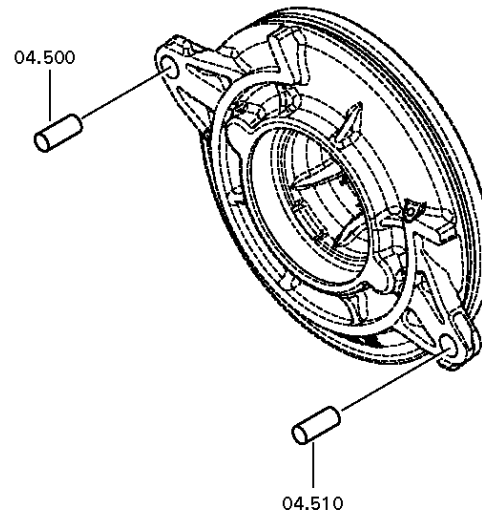
Material number: 6093.001.019

Plant: 155.04.80-1

RETARDER



16 S 2331 TD /
RETARDER



Parts list

Page 1 from 1



16 S 2331 TD /

Material number: 6093.001.019

Plant: 155.04.01-1

Material-assembly-group-no: 6093.104.003

Pos.	Material number	Customer material	Name	Quantity	ME	Amend. no.	Techn. Info.	Rep kit	Alternative material
10	6093.304.079		PINION SHAFT	1		Z00011791410	POWER*Z28		
40	---		TAPERED ROLLER BEARING	1					
---	6093.204.008		TAPERED ROLLER BEARING	1			KPL.LAGERSATZ* FA.NTN		
/10	0735.372.115		TAPERED ROLLER BEARING	1			63,5X112,7X30,1 FA.NTN		
/20	0735.300.376		TAPERED ROLLER BEARING	1			45,0X85,0X27,4 FA.NTN		
---	6093.204.002		TAPERED ROLLER BEARING	1			KPL.LAGERSATZ FA.TIMKEN		
/10	0735.372.110		TAPERED ROLLER BEARING	1			63,5X112,7X30,1 FA.TIMKEN		
/20	0735.372.200		TAPERED ROLLER BEARING	1			45,0X85,0X24,7 FA.TIMKEN		
100	6093.304.085		STATOR	1					
110	0634.313.995	1831993	O-RING	1			230X5		
120	0750.113.011		RECTANGULAR RING	1			95,0X100,0X2,2		
200	6093.304.069	1831992	ROTOR	1		Z00004393710			
310	6093.304.033		DRIVER DISC	1					
320	0636.102.426		CAP SCREW	1			M12X120		
330	6093.304.034		CROSS DISC	1					
340	6093.304.035		SEALING WASHER	1					
360	0630.502.029	933237R1	RETAINING RING	1			55X2		
500	0631.306.097		CYLINDRICAL PIN	1			16X36		
510	0631.306.097		CYLINDRICAL PIN	1			16X36		

Plant

Page 1 from 2

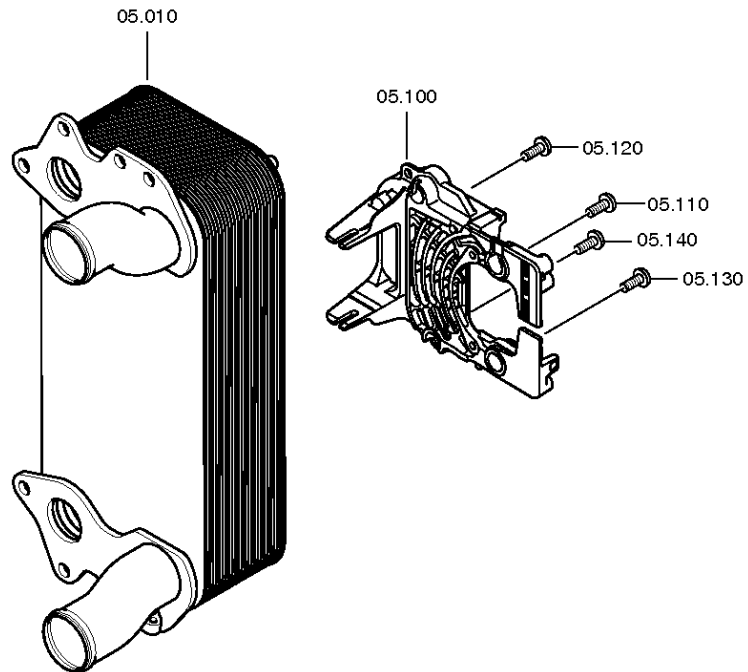
Material number: 6093.001.019

Plant: 155.05.03-1

HEAT EXCHANGER



16 S 2331 TD /
HEAT EXCHANGER



Plant

Page 2 from 2

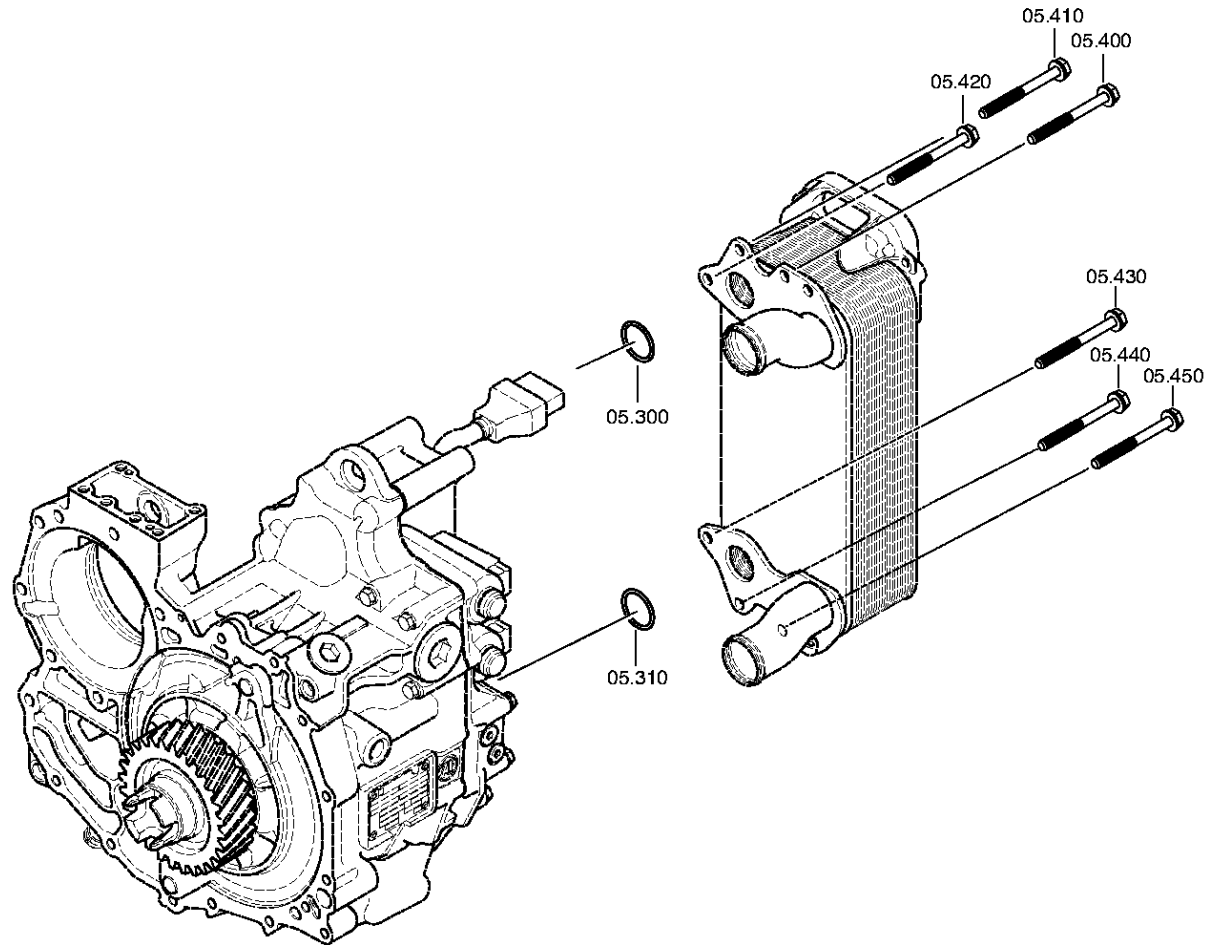
Material number: 6093.001.019

Plant: 155.05.81-1

HEAT EXCHANGER



16 S 2331 TD /
HEAT EXCHANGER



Parts list

Page 1 from 1



16 S 2331 TD /

Material number: 6093.001.019

Plant: 155.05.03-1

Material-assembly-group-no: 6093.105.004

Pos.	Material number	Customer material	Name	Quantity	ME	Amend. no.	Techn. Info.	Rep kit	Alternative material
10	0501.216.755		HEAT EXCHANGER	1					
100	6093.205.006		CARRIER	1			KPL. GD		
110	0636.102.673		HEXALOBULAR DRIVING SCREW	1		Z00015420210	M6X16		
120	0636.102.673		HEXALOBULAR DRIVING SCREW	1		Z00015420210	M6X16		
130	0636.102.673		HEXALOBULAR DRIVING SCREW	1		Z00015420210	M6X16		
140	0636.102.673		HEXALOBULAR DRIVING SCREW	1		Z00015420210	M6X16		
300	0634.313.092	14001064	O-RING	1			45X4		
310	0634.313.092	14001064	O-RING	1			45X4		
400	0636.100.376		HEXAGON SCREW	1		Z00007342910	M10X115		
410	0636.100.376		HEXAGON SCREW	1		Z00007342910	M10X115		
420	0636.100.376		HEXAGON SCREW	1		Z00007342910	M10X115		
430	0636.100.376		HEXAGON SCREW	1		Z00007342910	M10X115		
440	0636.100.376		HEXAGON SCREW	1		Z00007342910	M10X115		
450	0636.100.376		HEXAGON SCREW	1		Z00007342910	M10X115		

Plant

Page 1 from 3

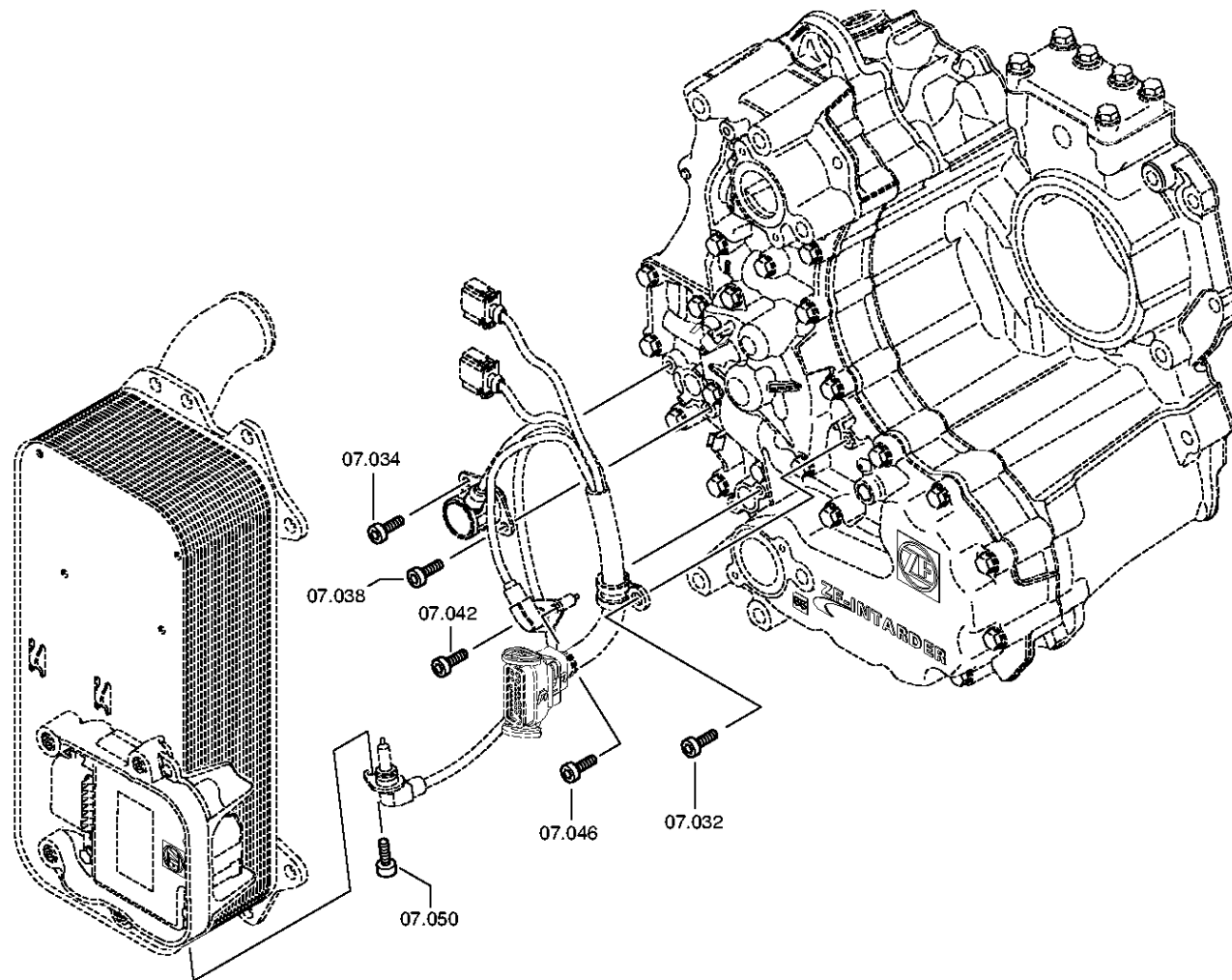
Material number: 6093.001.019

Plant: 155.07.03-1

Material-assembly-group-no: 6093.107.003



16 S 2331 TD /
WIRING



Plant

Page 2 from 3

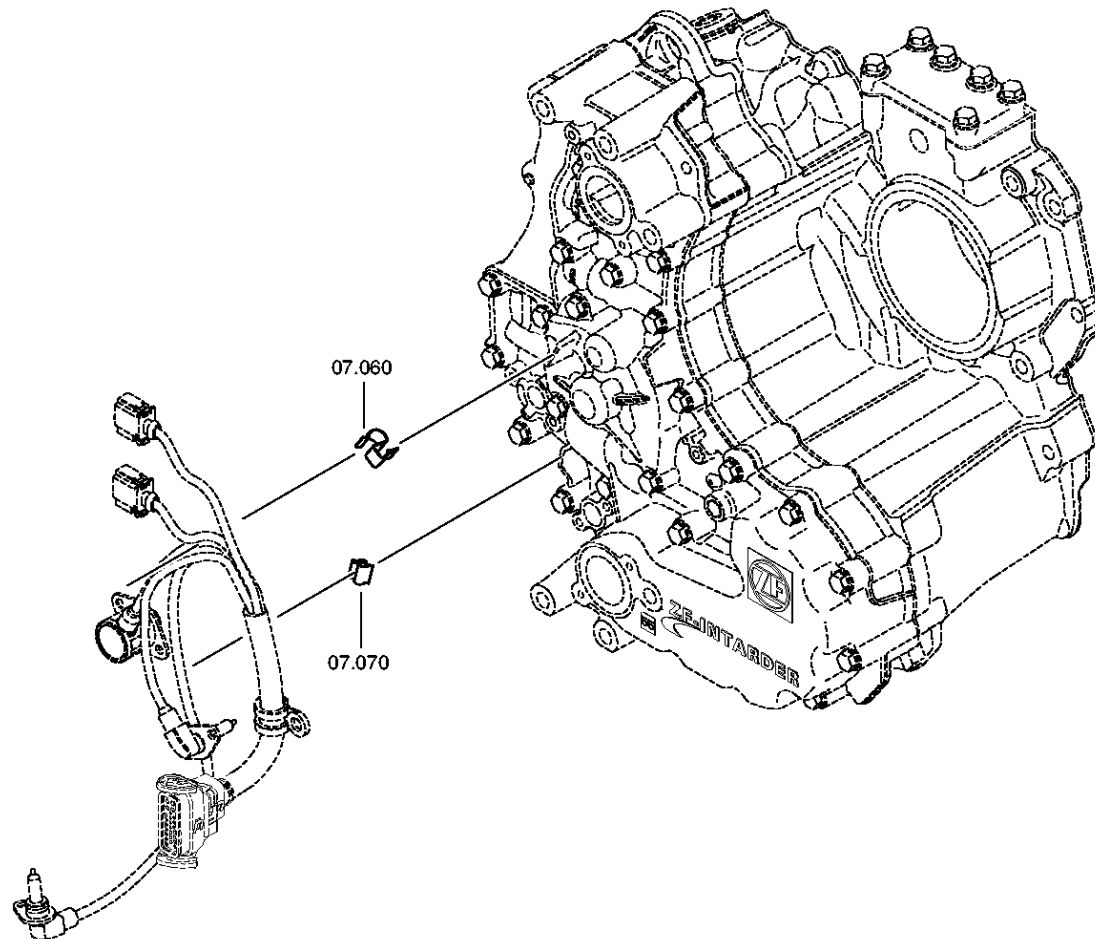
Material number: 6093.001.019

Plant: 155.07.03-2

Material-assembly-group-no: 6093.107.003



16 S 2331 TD /
WIRING



Plant

Page 3 from 3

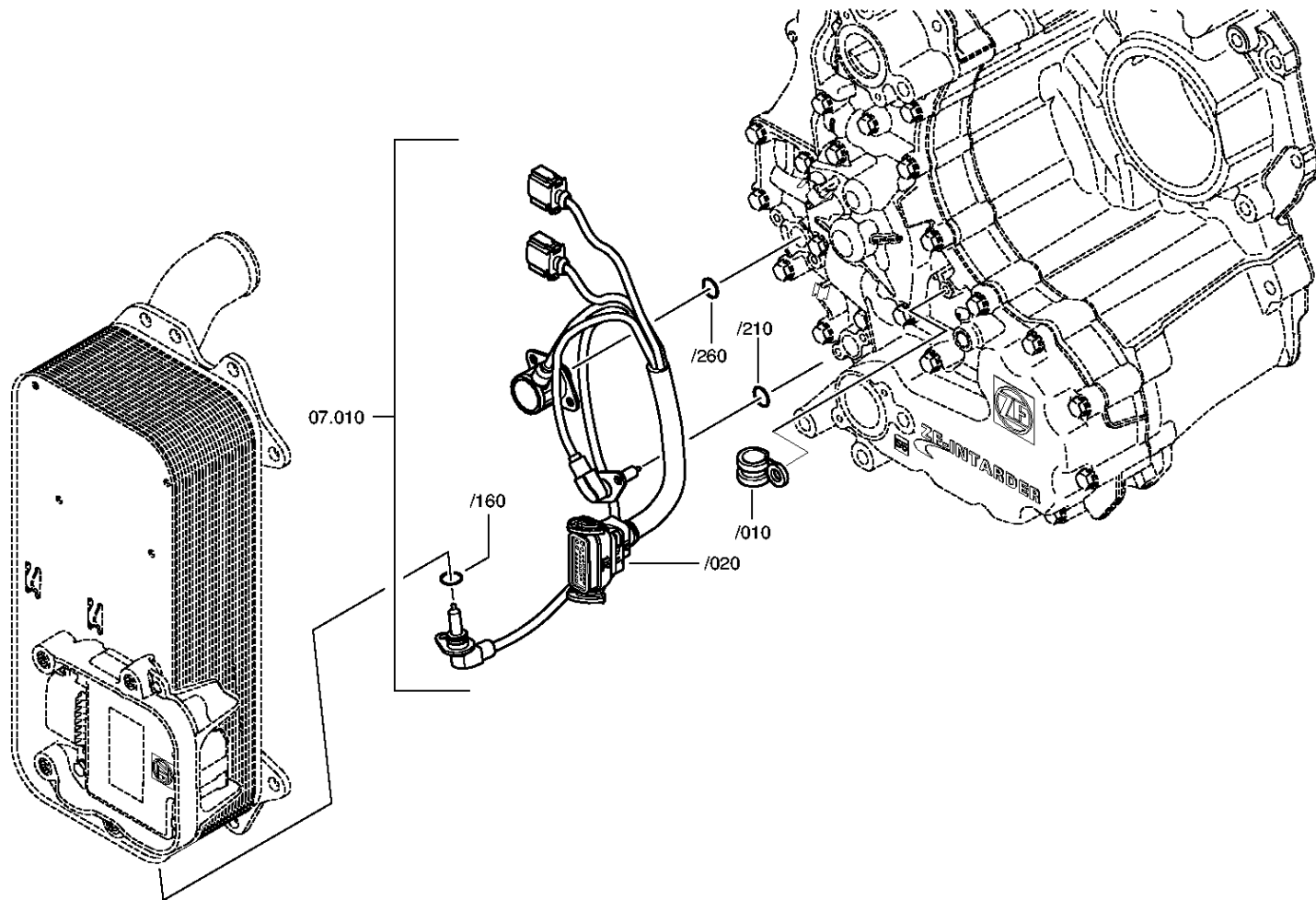
Material number: 6093.001.019

Plant: 155.07.03-3

Material-assembly-group-no: 6093.107.003



16 S 2331 TD /
WIRING



Parts list

Page 1 from 1



16 S 2331 TD /

Material number: 6093.001.019

Plant: 155.07.03-1

Material-assembly-group-no: 6093.107.003

Pos.	Material number	Customer material	Name	Quantity	ME	Amend. no.	Techn. Info.	Rep kit	Alternative material
10	0501.219.773	1950604	CABLE	1		Z00020742510	DAF/ZENTR-KABEL/ECU-SENSOR-AKTUATOR/P-KERAMIK-SENSOR		
20	0659.160.068		CABLE CLIP	1			3,6X200		
32	0636.102.673		HEXALOBULAR DRIVING SCREW	1		Z00015420210	M6X16		
34	0636.102.673		HEXALOBULAR DRIVING SCREW	1		Z00015420210	M6X16		
38	0636.102.673		HEXALOBULAR DRIVING SCREW	1		Z00015420210	M6X16		
42	0636.102.673		HEXALOBULAR DRIVING SCREW	1		Z00015420210	M6X16		
46	0636.102.673		HEXALOBULAR DRIVING SCREW	1		Z00015420210	M6X16		
50	0636.102.673		HEXALOBULAR DRIVING SCREW	1		Z00015420210	M6X16		
60	0659.100.021		CABLE TERMINAL	1					
70	0659.100.020		CABLE TERMINAL	1					
74	0659.100.021		CABLE TERMINAL	1					