



Spare Parts Catalog

6 S 800 TO

Material number: 1346.001.007

Current date: 21.10.2013

ZF Friedrichshafen AG
Hauptverwaltung
80038 Friedrichshafen
Deutschland

Telefon: +49 7541 77-0

Telefax: +49 7541 77-908000

www.zf.com

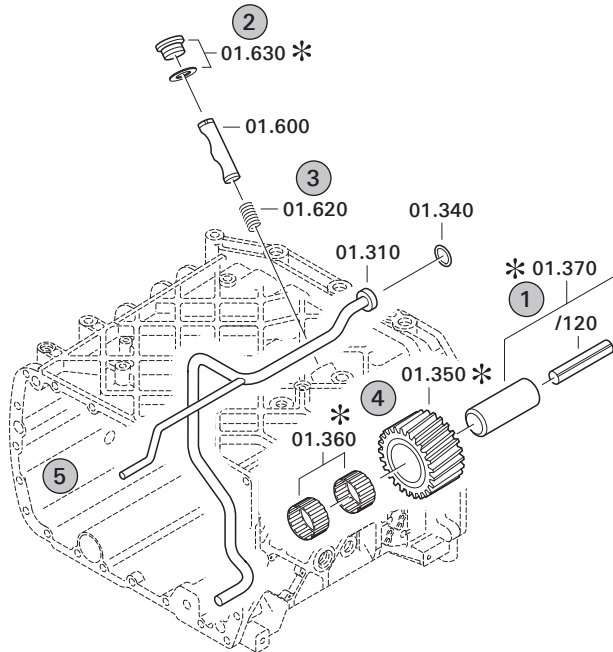
zuständiges Werk:
Friedrichshafen

Notes relating to the spare parts catalog

Setup of the spare parts catalog

- Cover sheet
- Technical Cover (only in SDM print)
- Overview of figures
- Figure
- Associated parts list
- Next figure
- Associated parts list
- ...

Figure and parts list



Overview of figures

Bildtafel Figure	Sachnummer Product number	Benennung (Description)	Technische Info Technical info	Description (Benennung)	Menge Quantity	Einheit Unit
068.08.17	1316.170.001	AUSLEGER	WL	SHIFT TURRET	1	Stk
068.08.06	1316.170.031	DECKEL	WL*H-H *VM	COVER	1	Stk
068.08.14	1316.170.808	DECKEL	WL*AUSL+GEH*H-H*HF160N	COVER	1	Stk
08	1316.170.441	ANSCHLUSSTEILE	WL*NG-VORB*RG-SCHL*168N *BAJONETT	CONNECTING PARTS	1	Stk

The "gap" indicates that there is no separate graphics panel (poster) for this assembly
The parts of this assembly are shown with the same mid-section number on the figure

1 Positions and subpositions

Pos.	Sachnummer Product number	Benennung (Description)	Technische Info Technical info	Description (Benennung)	Menge Quantity	Einheit Unit
0370	1315.201.054	RUECKLAUFBOLZEN	KPL.16S151*SG*L= 79	REV.IDLER SHAFT	1	Stk
/0120	0631.329.293	SPANNSTIFT		SLOT. PIN	1	Stk

Positions marked with "/" are the individual items of a completion
For example: Position 0370 contains a centering pin with the position /0120

2 Combinations with standardized parts

Pos.	Sachnummer Product number	Benennung (Description)	Technische Info Technical info	Description (Benennung)	Menge Quantity	Einheit Unit
0630		VERSCHL.SCHR.		SCREW PLUG	1	Stk
	0636.302.067	VERSCHL.SCHR.		SCREW PLUG	1	Stk
	0634.801.249	DICHTRING	A 26 X 31	SEALING RING	1	Stk

The parts list shows the components included in the combination of standardized parts

3 Depiction of position/item number on the figure and in the parts list

01.620 - on the figure 01 relates to the assembly in which the position is included. Due to program-related reasons, it is shown on the figure.

0620 - in the parts list

Pos.	Sachnummer Product number	Benennung (Description)	Technische Info Technical info	Description (Benennung)	Menge Quantity	Einheit Unit
0620	0732.040.736	DRUCKFEDER		COMPRESSION SPRING	1	Stk

4 *-Positions

Positions marked with an * are optional i.e. inclusion in the parts list is not mandatory.
The following note is shown on the figure

je nach Stücklistenausführung
depending on spec. number
*
suivant la nomenclature
secondo la distinta base

5 Parts, dotted display

Parts with dotted display on the figure are only used for orientation of other parts



Pos.	Information	Amendment number
001	Use case -----	
002	Customer Leyland	
003	City Leyland, Lancashire	
004	DUNS	
006	Sales Name	
007	Manufacturer Leyland	
008	Engineering Name	
009	Product Use TRUCK	
011	SOP	
012	Engine	
013	Sales Designation	
014	Manufacturer Cummins Engine Co.	
015	Eng.Displ.	
016	Cylinder	
017	Nom. power 168 kW	
018	RPM at nom. power 2500 1/min	
019	Nom. torque 850 Nm	
020	RPM at nom. torque 1200 1/min	
021	Classification use case -----	
022	DESIGNATION, CLUTCH MF395	
023	MANUFACTURER, CLUTCH ZF-SACHS	
024	TOTAL NUMBER OF WHEELS 4	
025	NUMBER OF DRIVING WHEELS 2	
026	DYNAMIC TYRE RADIUS 411 mm	
027	REAR AXLE RATIO 4.56	
031	PERMISS.GROSS VEHICLE WEIGHT 16 t	
032	PERMISS.GROSS COMBIN.WEIGHT 18 t	
033	APPROVAL NOTE 1 ERSTEINBAU*UEBERPRUEFG.DURCHGEFUEHRT	
035	Product description -----	
036	INSTALLATION POS TRANSMISSION HORIZONTAL LEFT	
037	TRANSMISSION ATTACHMENT FLANGE-MOUNTED	
038	RATIO, BOTTOM GEAR 6.58	
039	RATIO, TOP GEAR .78	



Pos.	Information	Amendment number
040	SET OF RATIOS SG	
041	RATIO, 1ST GEAR 6.58	
042	RATIO, 2ND GEAR 3.6	
043	RATIO, 3RD GEAR 2.13	
044	RATIO, 4TH GEAR 1.39	
045	RATIO, 5TH GEAR 1	
046	RATIO, 6TH GEAR .78	
047	RATIO, 1ST GEAR REVERSE 6.06	
048	DESIGN, SHIFT SYSTEM TURNING SHAFT	
049	POSITION, GEAR SHIFT SYSTEM HORIZONTAL LEFT	
053	SELECTION PATTERN VARIANT GEAR SHIFT PATTERN 1	
054	REFERENCE LENGTH INPUT SHAFT 107 mm	
055	STANDARD TYPE INPUT SHAFT SAE	
056	NUMBER OF WEDGES INPUT SHAFT 10	
057	VERSION OF INPUT SHAFT FORM C	
058	NOMINAL DIAMETER INPUT SHAFT 1.75 in	
059	DIAMETER, JOURNAL, INPUT SHAFT 25 mm	
060	TYPE FIT SPIGOTS INPUT SHAFT F7	
061	DIAMETER SHAFT OF INPUT SHAFT 44 mm	
065	DESIGN,CONN., CLUTCH HOUSING SAE 2	
066	VERSION OF CLUTCH HOUSING INTEGRATED	
068	WRENCH SIZE, RELEASE FORK 75 mm	
073	DESIGN RELEASE BEARING WITHOUT GROOVE	
076	REF.LENGTH,RELEASE BEAR.FLAN 15 mm	
077	DIAMETER, RELEASE FLANGE 57 mm	
078	OUTER DIA. OUTPUT FLANGE RA 120 mm	
079	NUMBERS OF BORES OUTPUT FL. RA 4	
080	BORE DIA. OUTPUT FLANGE RA 11 mm	
085	REF. LENGTH OUTPUT FLANGE RA 709 mm	
087	DIMENSION SHIFT TURRET DIST. 245.000 mm	
088	MEAS. LOC. SHIFT TURRET DIST. SHIFT LEVER OUTSIDE EDGE	
093	RADIUS 1 SHIFT LEVER 65 mm	
096	LEVER POSITION SHIFTING OUTPUT C	



Pos.	Information	Amendment number
103	SPRING ARRANGEMENT Q10	
104	TOOLING SET OF SPRINGS W010	
106	SPRING FORCE DETENT PLUNGER RG 116 N	
108	SWITCH, REVERSE GEAR y	
109	DESIGN, RG (REV.GEAR) SWITCH CLOSING	
110	DESIGN, CONNECTION, RG SWITCH DIN BAYONET	
111	PROT.CAP SWITCH, REVERSE GEAR y	
118	SWITCH, NEUTRAL GEAR y	
119	DESIGN,NG(NEUTRAL GEAR)SWITCH OPENING SWITCH	
120	DESIGN, CONNECTION, NG SWITCH DIN BAYONET	
121	PROT.CAP SWITCH, NEUTRAL GEAR y	
123	VER. TRANSMISSION VENTILATION BREATHER	
125	VERSION PULSE SENSOR SFA H68 WITH	
126	NO. PULSES PULSE SENSOR SFAH68 6 IMP/U	
127	PROT.CAP PULSE SENSOR SFA H68 y	
128	DESIGN CONN.PULSE SENSOR SFA H68 DIN BAYONET	
129	DESIGN PULSE SENSOR H68 KITAS II	
131	OIL CAPACITY, GEARBOX 9.800 dm3	
133	OIL GRADE PERMISSIBLE ACC. TO TE-ML02	
134	COLOR NOT	
137	CODING OUTER CONSERVATION KA1	
138	SCOPE OUTER CONSERVATION T	
139	CODING INNER CONSERVATION KI1	
140	CONSERVATION SPECIFICATION ZFN 916	
141	DESIGN, SEPARATING CLUTCH	
142	BUSH VARIANT INPUT SHAFT	
143	DESIGN BEARING OUTPUT	
144	NO.OF BORES OUTPUT FLANGE HA1	
145	NOTE ON SWITCH, REVERSE GEAR	
149	NOTE PULSE SENSOR H68	
151	CODIERUNG STOPFENANZAHL	
152	Documents -----	
153	GEARBOX Assembly 1346.002.008	



Pos.	Information	Amendment number
154	GEARBOX Drawing 1346.002.008	
155	SET OF SPRINGS Text-document 1346.150.008	
156	TURN.SHAFT CONT Drawing 1346.174.002	
157	TURN.SHAFT CONT Assembly 1346.174.002	
158	6-SPEED GEARBOX Drawing 1346.601.001	
159	6-SPEED GEARBOX Assembly 1346.601.001	
160	TURNING SHAFT CONTROL Drawing 1346.600.024	
161	Alias ID -----	
162	Leyland ATRA969	

Assembly group overview

Material number: 1346.001.007

6 S 800 TO /



Page 1 from 1

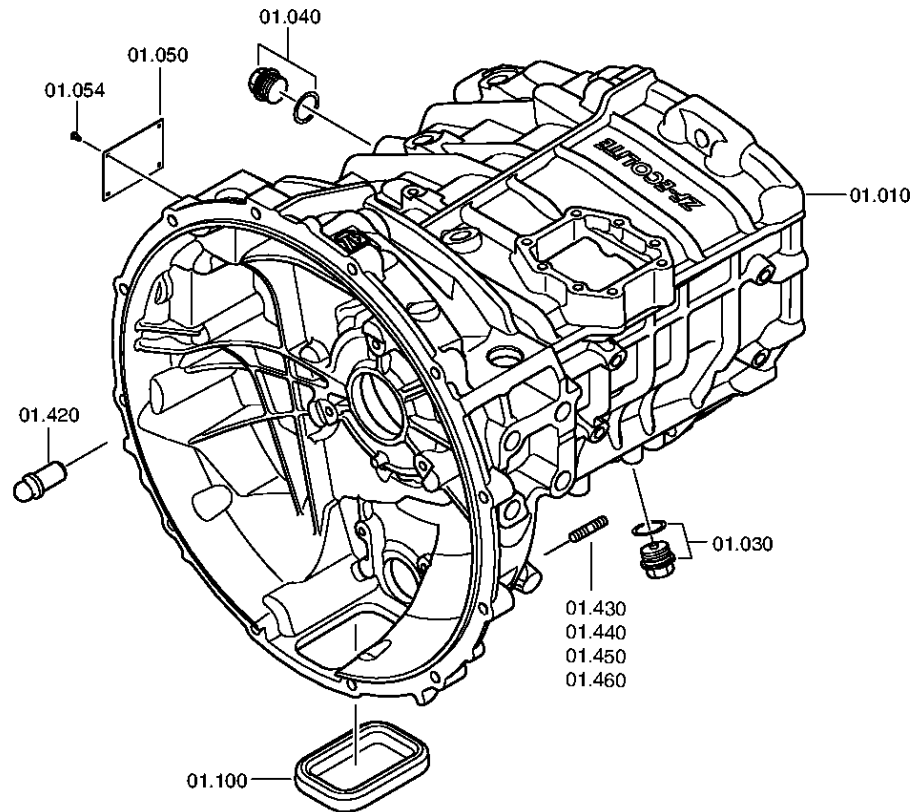
Graphics	Pos.	Material number	Name	Quantity	Amend. no.	Techn. Info.
150.01.10-1	110	1346.101.030	CLUTCH HOUSING	1		
150.01.50-1	112	1346.101.060	TYPE PLATE	1		
150.01.81-1	120	1346.101.802	OUTPUT HOUSING	1		
150.02.01-1	130	1346.102.009	INPUT SHAFT	1		
150.02.02-1	140	1346.102.007	GUIDE TUBE	1		
150.02.81-1	150	1346.102.803	GUIDE TUBE	1		
150.02.80-1	160	1346.102.805	INPUT SHAFT	1		
150.03.01-1	920	1346.103.002	COUNTERSHAFT	1		
150.04.82-1	210	1346.104.801	MAIN SHAFT	1		
150.04.01-1	910	1346.104.003	MAIN SHAFT	1		
150.05.01-1	220	1346.105.002	RETURN	1		
150.06.01-1	230	1346.106.002	SHIFT SYSTEM	1		
150.09.04-1	10	1346.109.006	GEAR SHIFT HOUSING	1		
150.10.01-1	270	1346.174.800	SHIFT TURRET	1		
150.50.04-1	90	1346.150.012	SET OF SPRINGS	1		
150.52.05-1	40	1346.152.009	LEVER	1		
150.55.03-1	30	1346.155.005	GEAR SHIFT SHAFT	1		
150.58.01-1	100	1346.158.004	DETENT	1		
150.59.03-1	80	1346.159.007	SWITCH	1		
150.93.49-1	330	6060.168.013	CLUTCH RELEASE DEVICE	1		

Plant

Page 1 from 3

Material number: 1346.001.007
Plate: 150.01.10-1
CLUTCH HOUSING

6 S 800 TO /
CLUTCH HOUSING

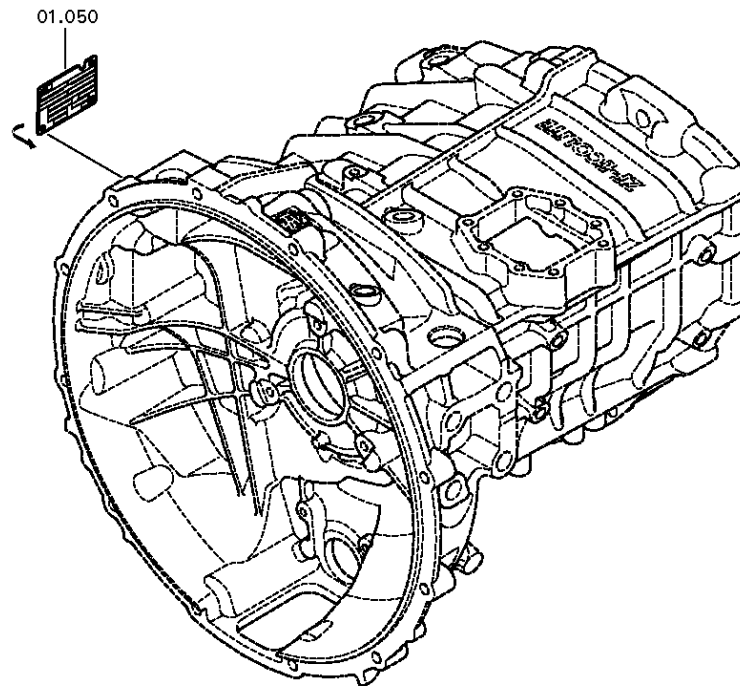


Plant

Page 2 from 3

Material number: 1346.001.007
Plate: 150.01.50-1
CLUTCH HOUSING

6 S 800 TO /
CLUTCH HOUSING



Plant

Page 3 from 3

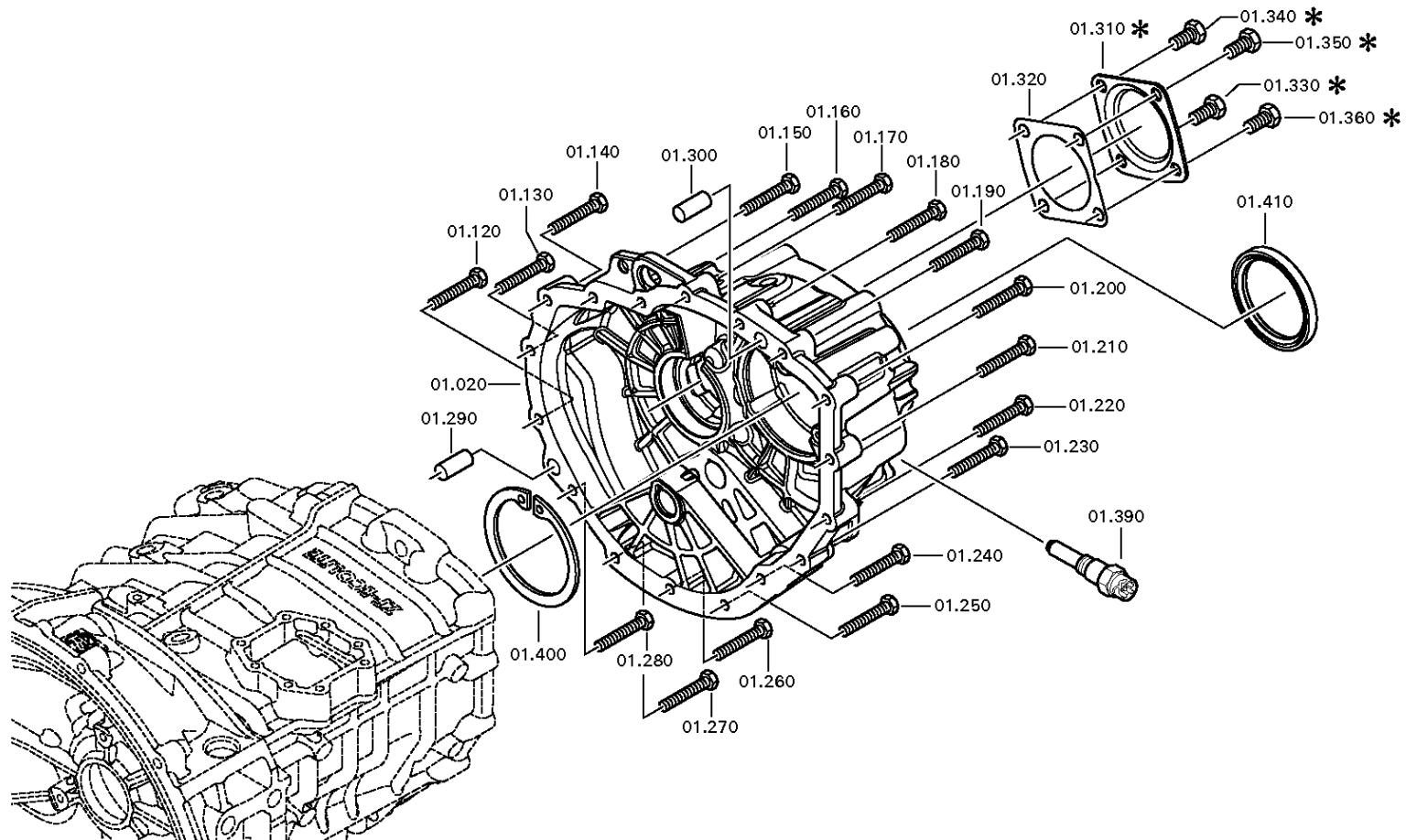
Material number: 1346.001.007

Plate: 150.01.81-1

CLUTCH HOUSING

6 S 800 TO /

CLUTCH HOUSING



Parts list

Page 1 from 2

Material number: 1346.001.007

6 S 800 TO /

Plate: 150.01.10-1

Material-assembly-group-no: 1346.101.030



Pos.	Material number	Customer material	Name	Quantity	ME	Amend. no.	Techn. Info.	Weight	Rep kit	Alternative material
10	1346.301.078	1851911	CLUTCH HOUSING	1				0,000		
20	1346.301.119		OUTPUT HOUSING	1			E2408, GD-AL	0,000		
30	---		SCREW PLUG	1		Z00010176111	M24X1,5	0,000		
---	0736.300.160	4471982.1	SCREW PLUG	1		Z00010176110	M24X1,5 M24X1,5	0,000		
---	0730.008.637		SEALING RING	1		Z00010176110	24X29	0,000		
40	---		SCREW PLUG	1		Z00010112111	60N.M*DICHTRING M24X1,5	0,000		
---	0636.304.088		SCREW PLUG	1		Z00010112110	M24X1,5	0,000		
---	0730.008.637		SEALING RING	1		Z00010112110	24X29	0,000		
50	---		TYPE PLATE	1			UNGARN/BRASILIE	0,000		
---	0730.365.259		TYPE PLATE	1			EINHEITSSCH. VERDREHSICHER	0,000		
100	1315.301.230		PROTECTION CAP	1				0,000		
120	0636.016.405		HEXAGON SCREW	1		Z00007060114	M10X60	0,000		
130	0636.016.405		HEXAGON SCREW	1		Z00007060114	M10X60	0,000		
140	0636.016.405		HEXAGON SCREW	1		Z00007060114	M10X60	0,000		
150	0636.016.405		HEXAGON SCREW	1		Z00007060114	M10X60	0,000		
160	0636.016.405		HEXAGON SCREW	1		Z00007060114	M10X60	0,000		
170	0636.016.405		HEXAGON SCREW	1		Z00007060114	M10X60	0,000		
180	0636.016.405		HEXAGON SCREW	1		Z00007060114	M10X60	0,000		
190	0636.016.405		HEXAGON SCREW	1		Z00007060114	M10X60	0,000		
200	0636.016.405		HEXAGON SCREW	1		Z00007060114	M10X60	0,000		
210	0636.016.405		HEXAGON SCREW	1		Z00007060114	M10X60	0,000		
220	0636.016.405		HEXAGON SCREW	1		Z00007060114	M10X60	0,000		
230	0636.016.405		HEXAGON SCREW	1		Z00007060114	M10X60	0,000		
240	0636.016.405		HEXAGON SCREW	1		Z00007060114	M10X60	0,000		
250	0636.016.405		HEXAGON SCREW	1		Z00007060114	M10X60	0,000		
260	0636.016.405		HEXAGON SCREW	1		Z00007060114	M10X60	0,000		
270	0636.016.405		HEXAGON SCREW	1		Z00007060114	M10X60	0,000		
280	0636.016.405		HEXAGON SCREW	1		Z00007060114	M10X60	0,000		
290	0631.306.229		CYLINDRICAL PIN	1			16X36	0,000		
300	0631.306.229		CYLINDRICAL PIN	1			16X36	0,000		
310	1328.301.170	1878388	COVER	1		Z00008068010		0,000		

Parts list

Page 2 from 2

Material number: 1346.001.007

6 S 800 TO /

Plate: 150.01.10-1

Material-assembly-group-no: 1346.101.030



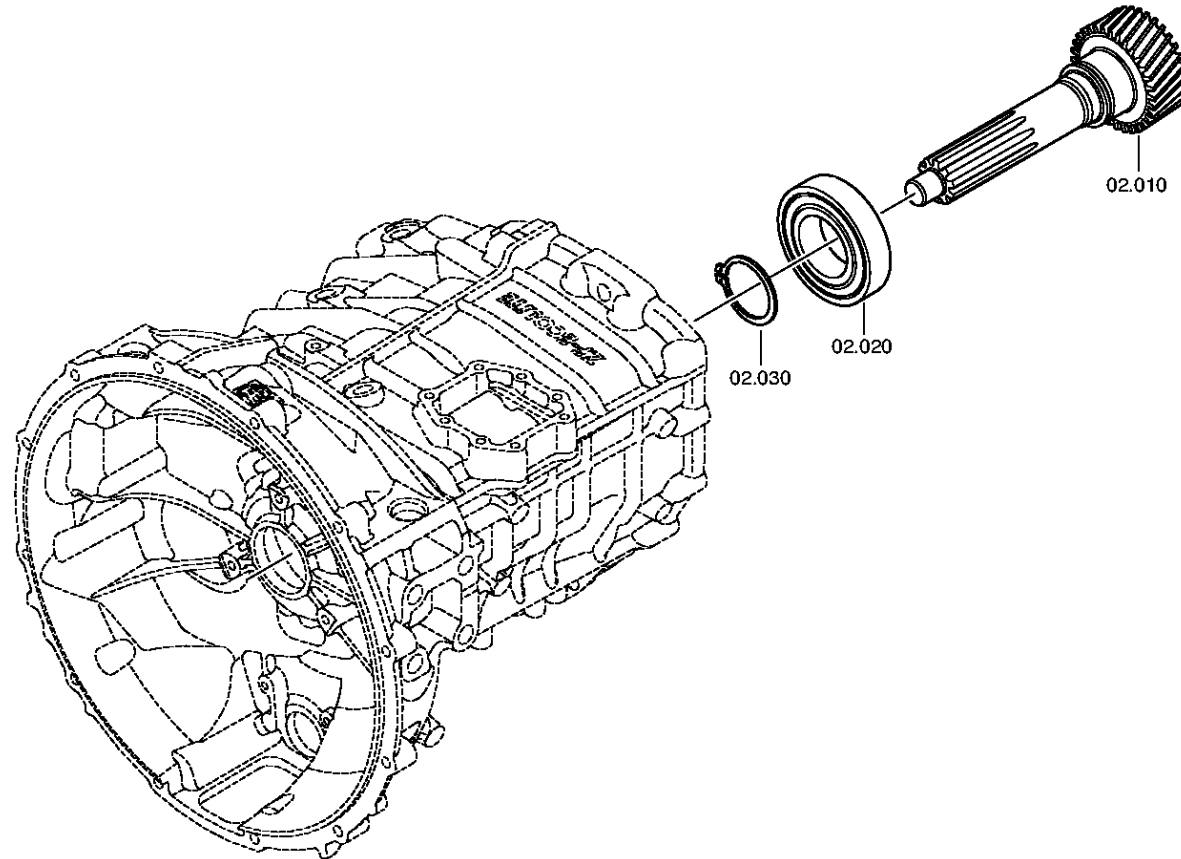
Pos.	Material number	Customer material	Name	Quantity	ME	Amend. no.	Techn. Info.	Weight	Rep kit	Alternative material
320	1238.308.201	5006880	GASKET	1			ENTHALT.IN 1238 308 202(2)	0,000		
330	0636.016.406		HEXAGON SCREW	1		Z00007061014	M12X25	0,000		
340	0636.016.406		HEXAGON SCREW	1		Z00007061014	M12X25	0,000		
350	0636.016.406		HEXAGON SCREW	1		Z00007061014	M12X25	0,000		
360	0636.016.406		HEXAGON SCREW	1		Z00007061014	M12X25	0,000		
390	---		PULSE SENSOR	1			L=25,0*45N.M* O.DICHTRING* SCHUTZKAPPE* BAJONEETT*KITAS 2	0,000		
---	0501.220.121		PULSE SENSOR	1		Z00016413612		0,105		
---	0666.790.033		SEALCOMPOUND	1				0,310		
---	0700.300.427		PROTECTION CAP	1				0,005		
400	0730.301.066		SNAP RING	1			h=3,00	0,000		
410	---		SHAFT SEAL	1			80X100X10	0,000		
---	0750.111.334	8 8318 0	SHAFT SEAL	1			80X100X10	0,000		
420	6060.368.076		BALL PIN	1				0,000		
430	---		STUD	1			M8X25	0,000		
---	0636.100.275		STUD	1		Z00007285214	M8X25	0,000		
440	---		STUD	1			M8X25	0,000		
---	0636.100.275		STUD	1		Z00007285214	M8X25	0,000		
450	---		STUD	1			M8X25	0,000		
---	0636.100.275		STUD	1		Z00007285214	M8X25	0,000		
460	---		STUD	1			M8X25	0,000		
---	0636.100.275		STUD	1		Z00007285214	M8X25	0,000		

Plant

Page 1 from 4

Material number: 1346.001.007
Plate: 150.02.01-1
INPUT SHAFT

6 S 800 TO /
INPUT SHAFT

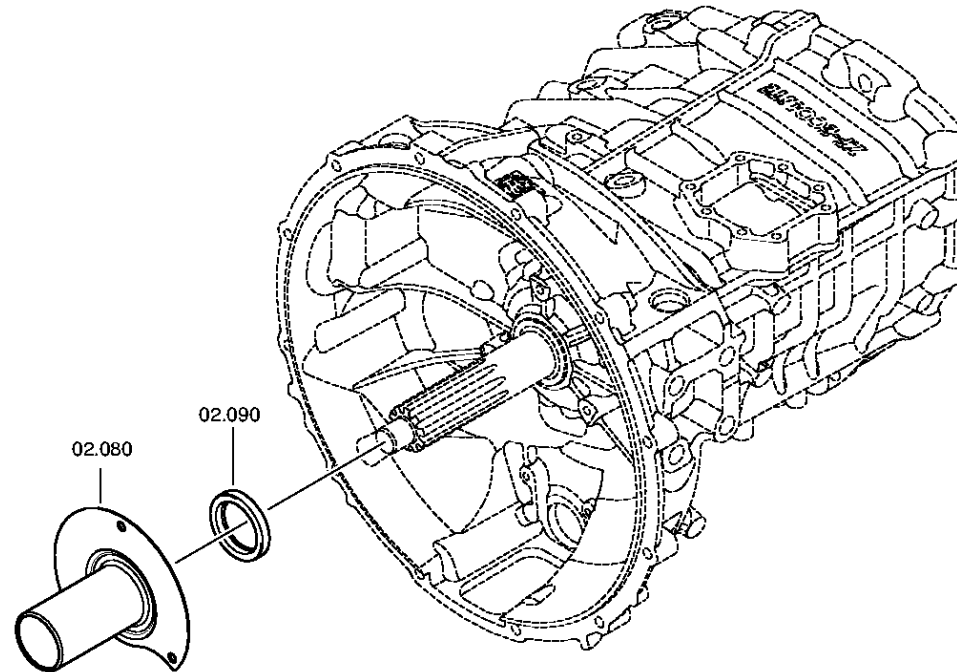


Plant

Page 2 from 4

Material number: 1346.001.007
Plate: 150.02.02-1
INPUT SHAFT

6 S 800 TO /
INPUT SHAFT

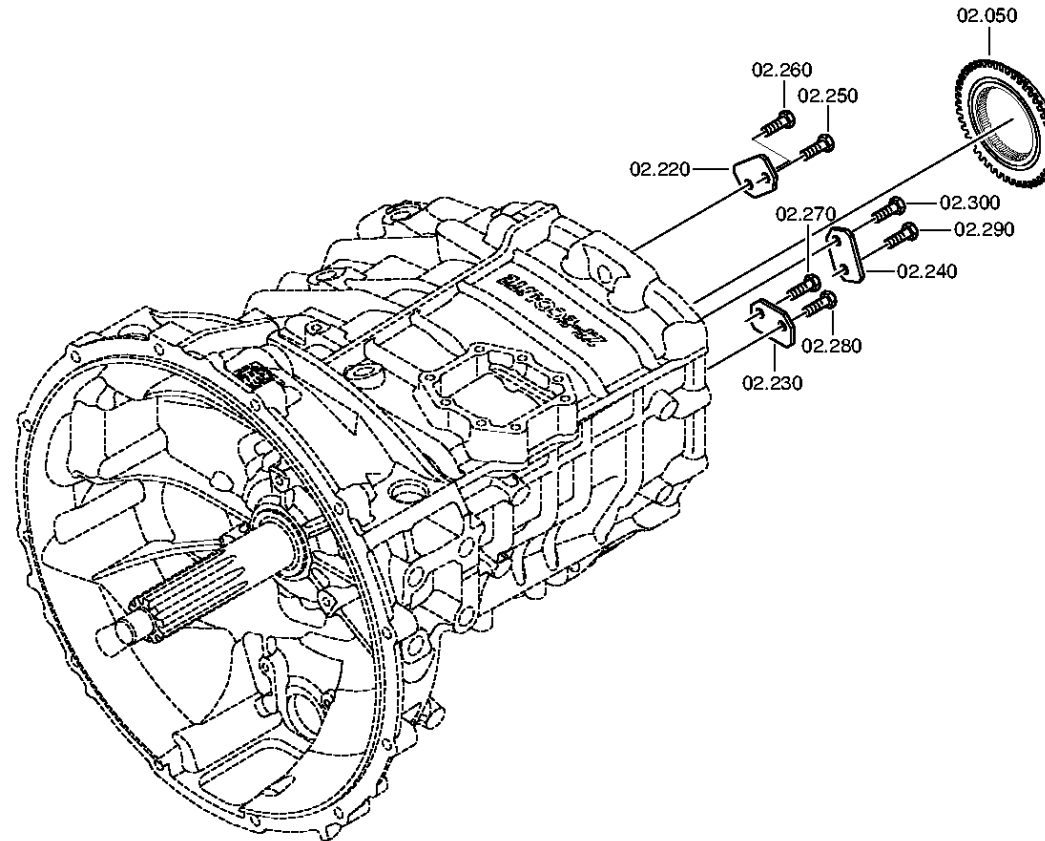


Plant

Page 3 from 4

Material number: 1346.001.007
Plate: 150.02.80-1
INPUT SHAFT

6 S 800 TO /
INPUT SHAFT

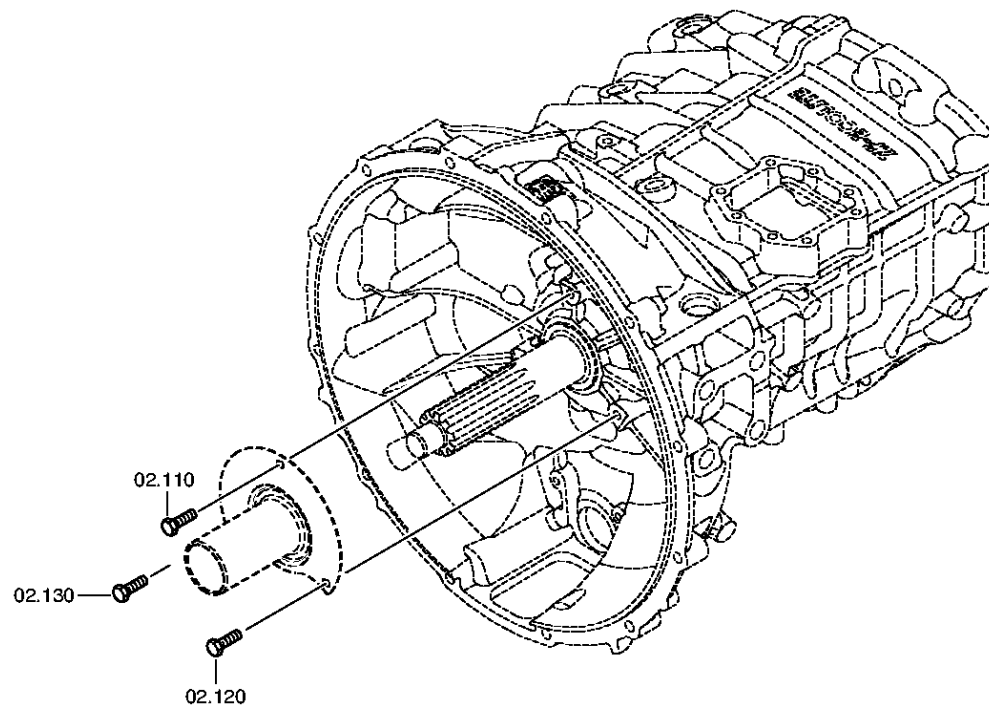


Plant

Page 4 from 4

Material number: 1346.001.007
Plate: 150.02.81-1
INPUT SHAFT

6 S 800 TO /
INPUT SHAFT



Parts list

Page 1 from 1

Material number: 1346.001.007

6 S 800 TO /

Plate: 150.02.01-1

Material-assembly-group-no: 1346.102.009



Pos.	Material number	Customer material	Name	Quantity	ME	Amend. no.	Techn. Info.	Weight	Rep kit	Alternative material
10	1346.302.046		INPUT SHAFT	1			E2408	0,000		
20	0735.330.801		BALL BEARING	1			60,0X130,0X31,0 FA.SKF	0,000		
30	0630.531.076	VOE6645408	RETAINING RING	1			60X3	0,020		
50	1290.304.482		CLUTCH BODY	1		Z00016829211	ENTHALT.IN 1290 302 375(1)	0,000		
80	1346.302.078		GUIDE TUBE	1		C01009451E10		0,000		
90	---		SHAFT SEAL	1			48X65X7	0,000		
---	0734.319.782		SHAFT SEAL	1			48X65X7 FA.CFW	0,000		
110	0636.016.412		HEXAGON SCREW	1		Z00016829211	M8X22	0,000		
120	0636.016.412		HEXAGON SCREW	1		Z00016829211	M8X22	0,000		
130	0636.016.412		HEXAGON SCREW	1		Z00016829211	M8X22	0,000		
220	1290.312.111		LOCKING PLATE	1		Z00016829211	ENTHALT.IN 1290 312 113(2)	0,000		
230	1290.312.111		LOCKING PLATE	1		Z00016829211	ENTHALT.IN 1290 312 113(2)	0,000		
240	1290.312.111		LOCKING PLATE	1		Z00016829211	ENTHALT.IN 1290 312 113(2)	0,000		
250	0636.016.412		HEXAGON SCREW	1		Z00016829211	M8X22	0,000		
260	0636.016.412		HEXAGON SCREW	1		Z00016829211	M8X22	0,000		
270	0636.016.412		HEXAGON SCREW	1		Z00016829211	M8X22	0,000		
280	0636.016.412		HEXAGON SCREW	1		Z00016829211	M8X22	0,000		
290	0636.016.412		HEXAGON SCREW	1		Z00016829211	M8X22	0,000		
300	0636.016.412		HEXAGON SCREW	1		Z00016829211	M8X22	0,000		

Plant

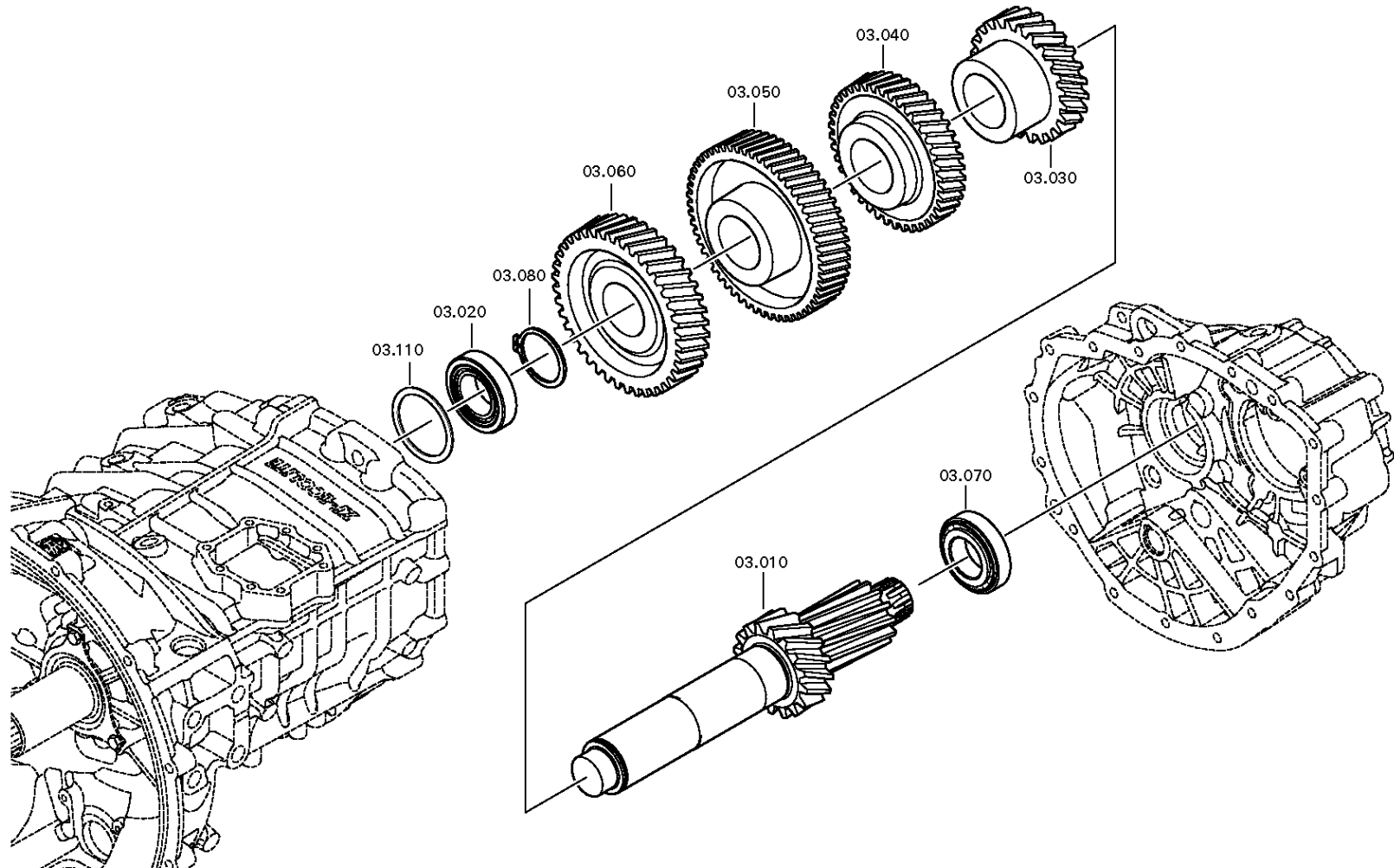
Page 1 from 1

Material number: 1346.001.007

Plate: 150.03.01-1

Material-assembly-group-no: 1346.103.002

6 S 800 TO /
COUNTERSHAFT



Parts list

Page 1 from 1

Material number: 1346.001.007

6 S 800 TO /

Plate: 150.03.01-1

Material-assembly-group-no: 1346.103.002



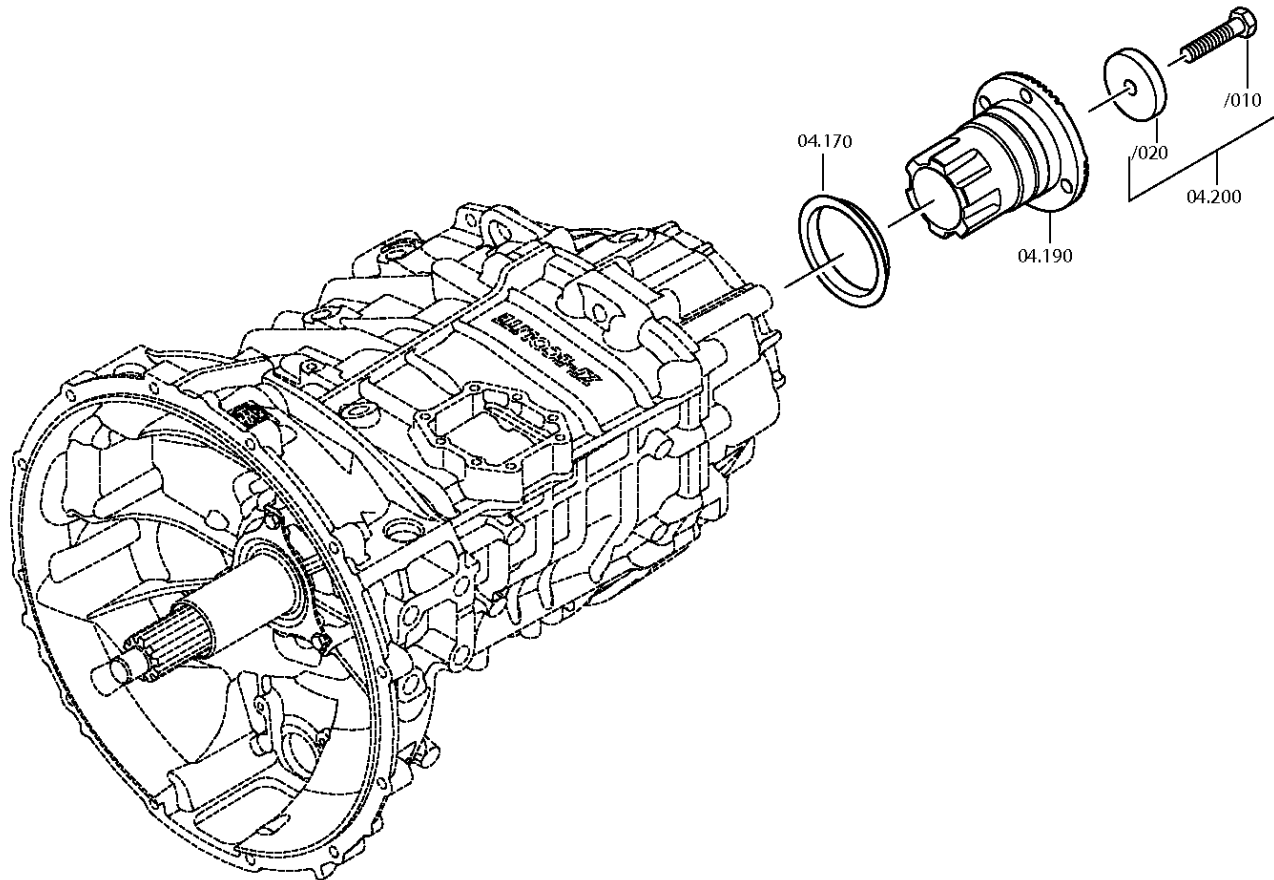
Pos.	Material number	Customer material	Name	Quantity	ME	Amend. no.	Techn. Info.	Weight	Rep kit	Alternative material
10	1346.203.002		COUNTERSHAFT	1		C01008490E10	KPL.6S800TO	0,000		
20	0735.371.994		TAPERED ROLLER BEARING	1			45,000X85,000X32,000	0,000		
30	1346.303.052		HELICAL GEAR	1			E2408 G3	0,000		
40	1346.303.055		HELICAL GEAR	1			E2408 G4	0,000		
50	1346.303.054		HELICAL GEAR	1			E2408 G6 OD	0,000		
60	1346.303.053		HELICAL GEAR	1			E2408 KO OD/G5 DD	0,000		
70	0735.372.217		TAPERED ROLLER BEARING	1			45,0X85,0X24,7 FA.SKf	0,000		
80	0630.531.067		RETAINING RING	1			52X3	0,000		
110	---		SHIM	1		C01008652E10	H= 1,10- 2,05(ABSTUFUNG:0,05MM)	0,000		
---	0730.004.731		SHIM	1			A=2,05	0,000		
---	0730.002.934		SHIM	1		C01003926F10	A=2,00	0,000		
---	0730.003.435		SHIM	1			A=1,95	0,000		
---	0730.002.935		SHIM	1		C01003926F10	A=1,90	0,000		
---	0730.003.434		SHIM	1			A=1,85	0,000		
---	0730.002.936		SHIM	1		C01003926F10	A=1,80	0,000		
---	0730.003.433		SHIM	1			A=1,75	0,000		
---	0730.002.937		SHIM	1		C01003926F10	A=1,70	0,000		
---	0730.003.432		SHIM	1			A=1,65	0,000		
---	0730.002.938		SHIM	1		C01003926F10	A=1,60	0,000		
---	0730.003.431		SHIM	1			A=1,55	0,000		
---	0730.002.939		SHIM	1		C01003926F10	A=1,50	0,000		
---	0730.003.430		SHIM	1			A=1,45	0,000		
---	0730.002.940		SHIM	1		C01003926F10	A=1,40	0,000		
---	0730.003.429		SHIM	1			A=1,35	0,000		
---	0730.002.941		SHIM	1		C01003926F10	A=1,30	0,000		
---	0730.004.706		SHIM	1			A=1,25	0,000		
---	0730.002.942		SHIM	1		C01003926F10	A=1,20	0,000		
---	0730.004.705		SHIM	1			A=1,15	0,000		
---	0730.002.943		SHIM	1		C01003926F10	A=1,10	0,000		

Plant

Page 1 from 3

Material number: 1346.001.007
Plate: 150.04.82-1
MAIN SHAFT

6 S 800 TO /
MAIN SHAFT

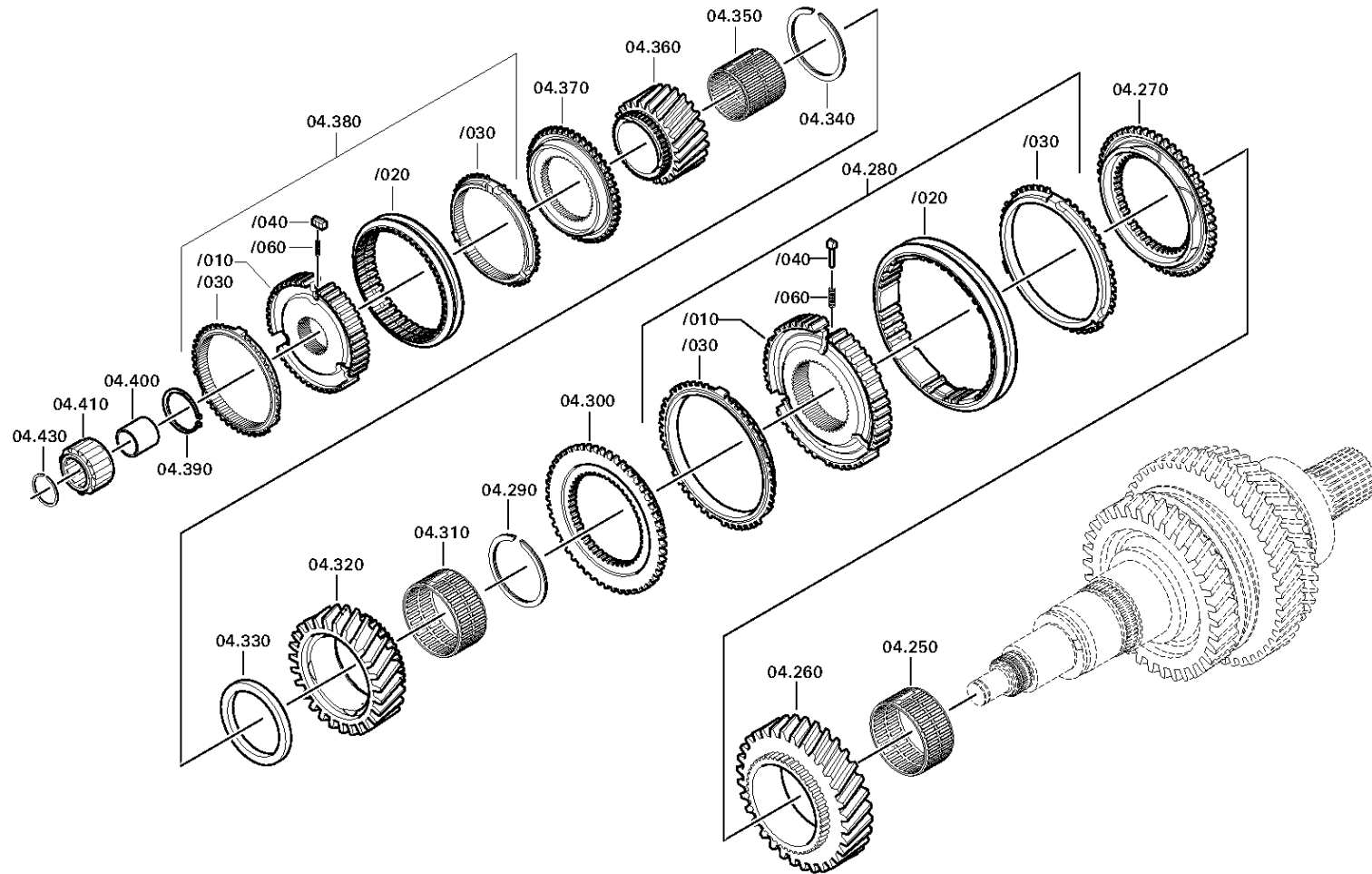


Plant

Page 2 from 3

Material number: 1346.001.007
Plate: 150.04.01-1
MAIN SHAFT

6 S 800 TO /
MAIN SHAFT

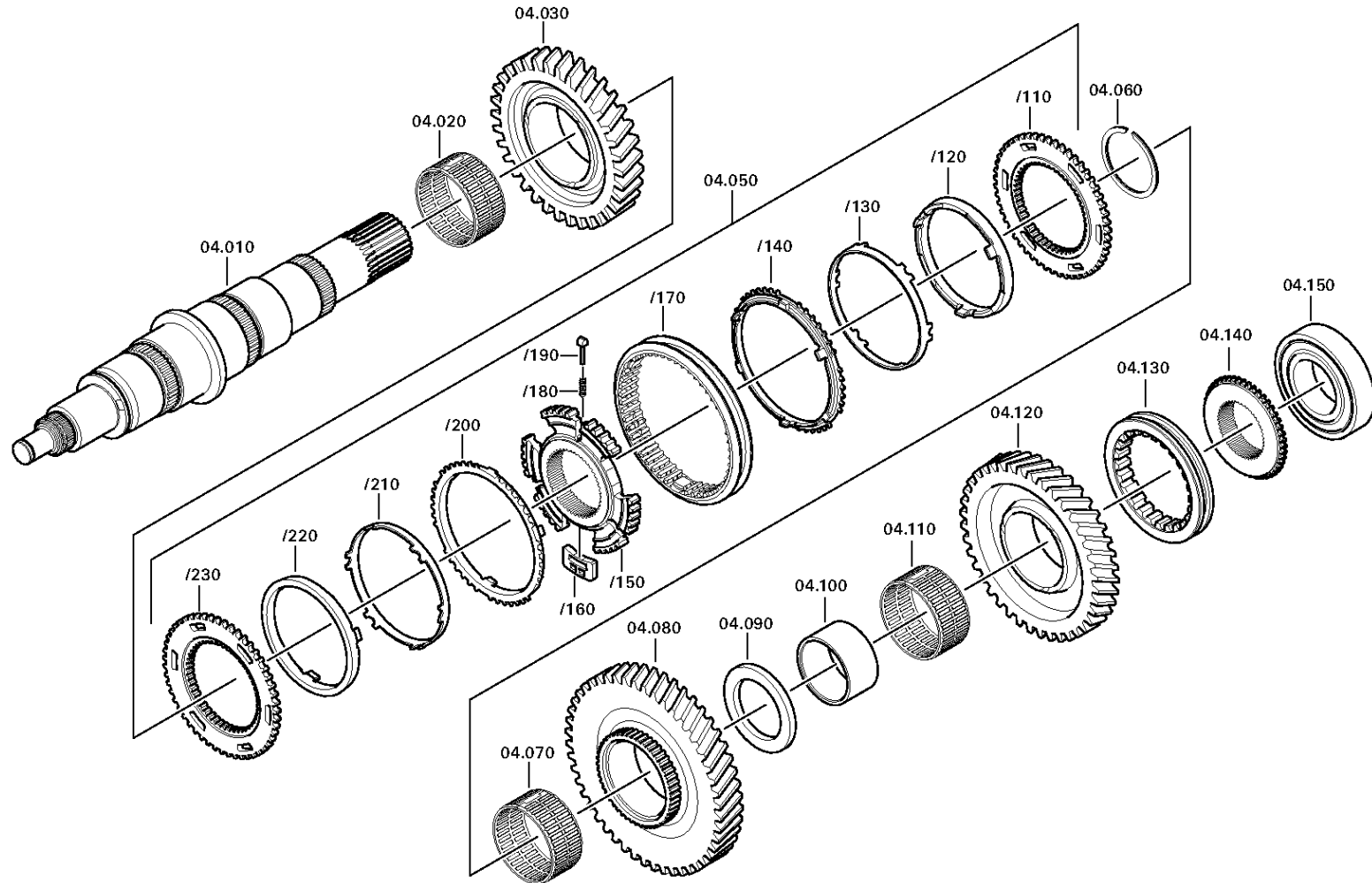


Plant

Page 3 from 3

Material number: 1346.001.007
Plate: 150.04.01-2
MAIN SHAFT

6 S 800 TO /
MAIN SHAFT



Parts list

Page 1 from 3

Material number: 1346.001.007

6 S 800 TO /

Plate: 150.04.82-1

Material-assembly-group-no: 1346.104.801



Pos.	Material number	Customer material	Name	Quantity	ME	Amend. no.	Techn. Info.	Weight	Rep kit	Alternative material
10	1346.304.108		MAIN SHAFT	1		C01006913E10	E2408	0,000		
20	0750.115.567		NEEDLE CAGE	1			E2408 80,0X88,0X41,8	0,000		
30	1346.304.123		HELICAL GEAR	1			E2408 G2	0,000		
50	1346.204.001		SYNCHRONIZER	1			KPL.ZF-D*D=135/128 7,5	0,000		
/110	1346.304.092		CLUTCH DISC	1		C01004444E10	ZF-D 135/128	0,000		
/120	---		INNER RING	1		C01004398F10	D135/128	0,000		
---	1346.304.039		INNER RING	1				0,000		
---	1346.304.032		INNER RING	1			ZF-D135/128 7.5GR	0,000		
/130	1346.304.038		INTERMEDIATE RING	1			ZF-D135/128 MO-MASS 7.5GR	0,000		
/140	1346.304.033		OUTER RING	1			ZF-D135/128 7.5GR	0,000		
/150	1346.304.091		SYNCHROBODY	1		C01004422E10	ZF-D 135/128	0,000		
/160	1312.304.159		COUPLING ELEMENT	3				0,030		
/170	6002.305.994		SLIDING SLEEVE	1				0,000		
/180	0732.040.409		COMPRESSION SPRING	3				0,002		
/190	1297.304.436		PRESSURE PART	3				0,004		
/200	1346.304.033		OUTER RING	1			ZF-D135/128 7.5GR	0,000		
/210	1346.304.038		INTERMEDIATE RING	1			ZF-D135/128 MO-MASS 7.5GR	0,000		
/220	---		INNER RING	1		C01004398F10	D135/128	0,000		
---	1346.304.039		INNER RING	1				0,000		
---	1346.304.032		INNER RING	1			ZF-D135/128 7.5GR	0,000		
/230	1346.304.092		CLUTCH DISC	1		C01004444E10	ZF-D 135/128	0,000		
60	0730.300.991		SNAP RING	1			75X4 75X4	0,000		
70	0735.321.529		NEEDLE CAGE	1			75,0X83,0X40,0 FA.INA	0,000		
80	1346.304.158	1810256	HELICAL GEAR	1			E2408 G1	0,000		
90	0501.322.939		THRUST WASHER	1				0,000		
100	0735.295.239		INNER RING	1			66,0X40,0X75,0 FA.INA	0,000		
110	0735.321.529		NEEDLE CAGE	1			75,0X83,0X40,0 FA.INA	0,000		
120	1346.304.172	1855634	HELICAL GEAR	1			E2408 RG KLAUE	0,000		
130	1308.304.087		SLIDING SLEEVE	1			RG-KLAUE	0,000		
140	1346.304.177		CLUTCH BODY	1		Z00004322210	RG-KLAUE E2410/E2408	0,000		
150	0735.330.799		BALL BEARING	1			55,0X120,0X29,0 FA.SKF	0,000		
190	1346.204.016		OUTPUT FLANGE	1			KPL.	0,000		

Parts list

Page 2 from 3

Material number: 1346.001.007

6 S 800 TO /

Plate: 150.04.82-1

Material-assembly-group-no: 1346.104.801



Pos.	Material number	Customer material	Name	Quantity	ME	Amend. no.	Techn. Info.	Weight	Rep kit	Alternative material
200	---		HEXAGON SCREW	1			FLANSCHBEFESTIGUNG* E24 M14X1,5X75	0,000		
---	0636.100.541		HEXAGON SCREW	1		Z00007284710	M14X1,5X75	0,000		
---	0730.113.920		WASHER	1			A=14,00 ABTR.FLANSCH	0,000		
250	0750.115.567		NEEDLE CAGE	1			E2408 80,0X88,0X41,8	0,000		
260	1346.304.137		HELICAL GEAR	1			E2408 G3	0,000		
270	1310.302.023		CLUTCH BODY	1		C01001203F10	ENTHALT.IN 1311 302 049(1)	0,000		
280	1346.204.003		SYNCHRONIZER	1			KPL.ZF*BK119*3/4GG*1/ 2GG	0,000		
/10	1346.304.021		SYNCHROBODY	1			ZF-BK 119	0,000		
/20	1304.304.664	5 5346 0	SLIDING SLEEVE	1			ZF-BK119	0,000		
/30	1311.304.255	5 5324 0	SYNCHRORING	2			ZF BK119	0,000		
/40	1297.304.436		PRESSURE PART	3				0,004		
/60	0732.040.409		COMPRESSION SPRING	3				0,002		
290	0730.300.195		SNAP RING	1		Z00021579510		0,000		
300	1311.302.022		CLUTCH BODY	1		C01001203F10	ENTHALT.IN 1311 302 049(1)	0,000		
310	0735.321.591		NEEDLE CAGE	1			62,0X70,0X35,8 FA.TIMKEN	0,000		
320	1346.304.096		HELICAL GEAR	1		C01004600E10	E2408 G4	0,000		
330	0501.323.703		THRUST WASHER	1		C01000151F10	TIMKEN	0,000		
340	0730.300.993		SNAP RING	1			60X3 60X3	0,000		
350	0735.321.527		NEEDLE CAGE	1			44,0X50,0X45,0 FA.INA	0,000		
360	1346.304.052		HELICAL GEAR	1			E2408 G6 OD	0,000		
370	1290.304.482		CLUTCH BODY	1			ENTHALT.IN 1290 302 375(1)	0,000		
380	1346.204.004		SYNCHRONIZER	1			KPL.ZF*B100III*5/6GG* STAHL	0,000		
/10	1346.304.118		SYNCHROBODY	1		C01002485F10	ZF-B 100 III	0,000		
/20	1333.304.061		SLIDING SLEEVE	1			1/2G	0,000		
/30	1317.304.150		SYNCHRORING	2				0,000		
/40	1317.304.081		PRESSURE PART	3				0,000		
/60	0732.042.510		COMPRESSION SPRING	3				0,000		

Parts list

Page 3 from 3

Material number: 1346.001.007

6 S 800 TO /

Plate: 150.04.82-1

Material-assembly-group-no: 1346.104.801



Pos.	Material number	Customer material	Name	Quantity	ME	Amend. no.	Techn. Info.	Weight	Rep kit	Alternative material
390	0630.531.050	99673	RETAINING RING	1			40X2,5	0,010		
400	0735.295.223		INNER RING	1			25,0X30,0X29,0	0,000		
410	0735.358.346		ROLLER CAGE	1		C01006880E10	30,0X50,0X29,8 FA.TIMKEN	0,000		
430	0630.513.070	35052700	SNAP RING	1				0,001		

Plant

Page 1 from 1

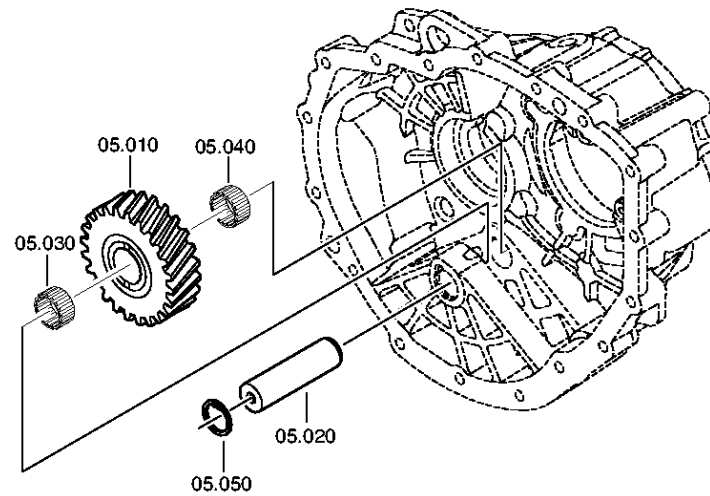
Material number: 1346.001.007

Plate: 150.05.01-1

Material-assembly-group-no: 1346.105.002

6 S 800 TO /

RETURN



Parts list

Page 1 from 1

Material number: 1346.001.007

6 S 800 TO /

Plate: 150.05.01-1

Material-assembly-group-no: 1346.105.002



Pos.	Material number	Customer material	Name	Quantity	ME	Amend. no.	Techn. Info.	Weight	Rep kit	Alternative material
10	1346.305.058		REVERSE IDLER GEAR	1			E2408	0,000		
20	1346.305.039		REVERSE IDLER SHAFT	1		C01004424F10	E24	0,000		
30	0635.300.110	0689466	NEEDLE CAGE	1			28X35X18	0,000		
40	0635.300.110	0689466	NEEDLE CAGE	1			28X35X18	0,000		
50	0630.502.014	SA 8320-01770	RETAINING RING	1			28X1,2	0,002		

Plant

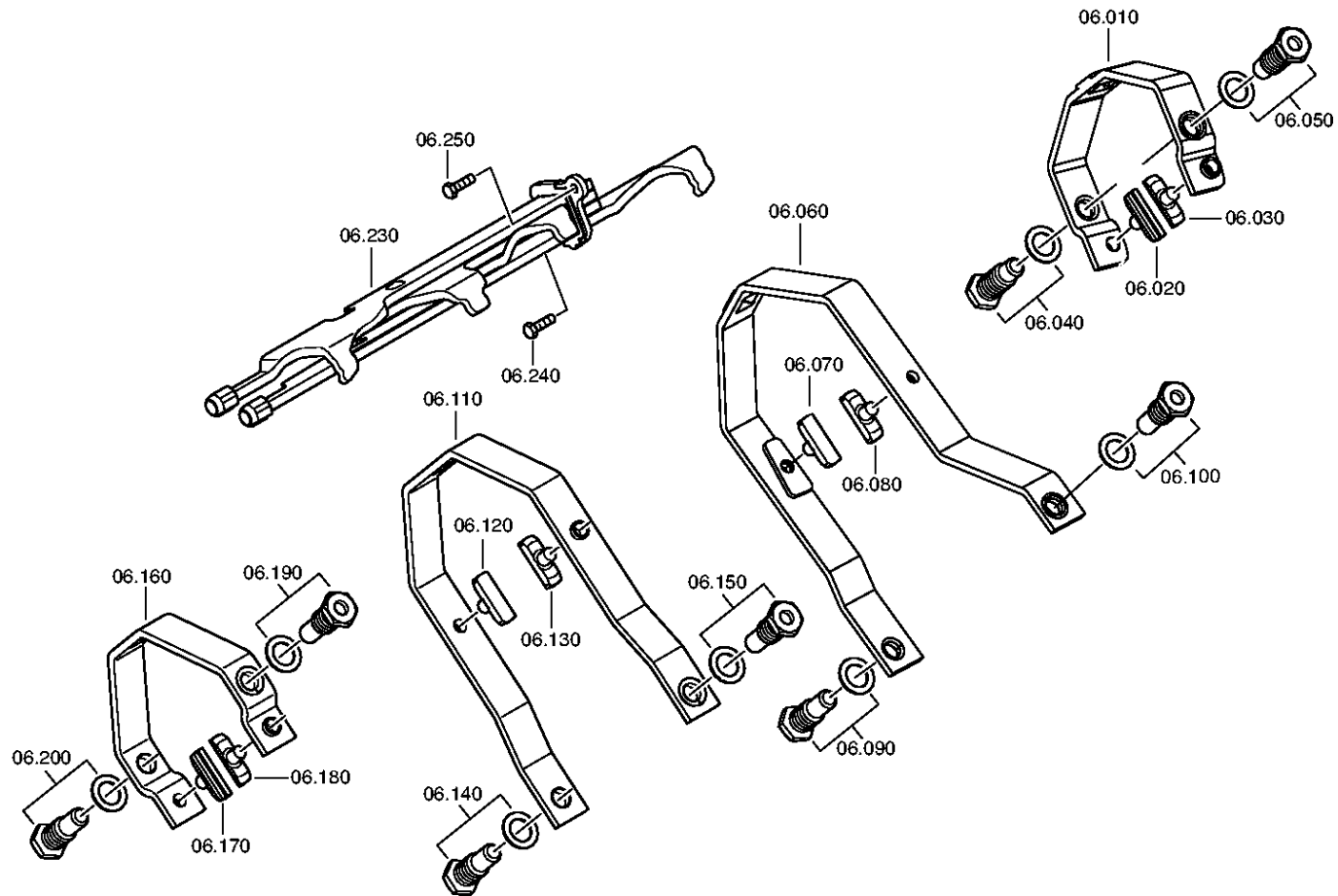
Page 1 from 1

Material number: 1346.001.007

Plate: 150.06.01-1

Material-assembly-group-no: 1346.106.002

6 S 800 TO /
SHIFT SYSTEM



Parts list

Page 1 from 3

Material number: 1346.001.007

6 S 800 TO /

Plate: 150.06.01-1

Material-assembly-group-no: 1346.106.002



Pos.	Material number	Customer material	Name	Quantity	ME	Amend. no.	Techn. Info.	Weight	Rep kit	Alternative material
10	0501.217.826	1853686	GEARSHIFT FORK	1			KPL. RG KLAUE	0,000		
20	1290.306.423		SLIDING PAD	1			ENTHALT.IN 1290 306 422(2)	0,000		
30	1290.306.423		SLIDING PAD	1			ENTHALT.IN 1290 306 422(2)	0,000		
40	---		SWIVEL SCREW	1		C01000478F10	O.INDUKT-HAERTUNG* LANGES GEWINDE M18X1,5	0,000		
---	1346.306.082		SWIVEL SCREW	1				0,000		
---	---		SPRING WASHER	1				0,000		
---	0730.301.379	1882879	SPRING WASHER	1			19X28 19X28	0,000		
---	0730.302.932		SPRING WASHER	1			CRVI-FREE*ISO12683 19X28	0,000		
50	---		SWIVEL SCREW	1		C01000478F10	O.INDUKT-HAERTUNG* LANGES GEWINDE M18X1,5	0,000		
---	1346.306.082		SWIVEL SCREW	1				0,000		
---	---		SPRING WASHER	1				0,000		
---	0730.301.379	1882879	SPRING WASHER	1			19X28 19X28	0,000		
---	0730.302.932		SPRING WASHER	1			CRVI-FREE*ISO12683 19X28	0,000		
60	0501.218.383		GEARSHIFT FORK	1		Z00010768211	KPL. 1/2G (8MM)	0,000		
70	1290.306.066	1000001039	SLIDING PAD	1				0,037		
80	1290.306.066	1000001039	SLIDING PAD	1				0,037		
90	---		SWIVEL SCREW	1			O.INDUKT-HAERTUNG M18X1,5	0,000		
---	1346.306.088	1877293	SWIVEL SCREW	1		Z00008927610		0,000		
---	---		SPRING WASHER	1				0,000		
---	0730.301.379	1882879	SPRING WASHER	1			19X28 19X28	0,000		
---	0730.302.932		SPRING WASHER	1			CRVI-FREE*ISO12683 19X28	0,000		
100	---		SWIVEL SCREW	1			O.INDUKT-HAERTUNG M18X1,5	0,000		
---	1346.306.088	1877293	SWIVEL SCREW	1		Z00008927610		0,000		

Parts list

Page 2 from 3

Material number: 1346.001.007

6 S 800 TO /

Plate: 150.06.01-1

Material-assembly-group-no: 1346.106.002



Pos.	Material number	Customer material	Name	Quantity	ME	Amend. no.	Techn. Info.	Weight	Rep kit	Alternative material
---	---		SPRING WASHER	1				0,000		
---	0730.301.379	1882879	SPRING WASHER	1			19X28 19X28	0,000		
---	0730.302.932		SPRING WASHER	1			CRVI-FREE*ISO12683 19X28	0,000		
110	0501.217.829	1853690	GEARSHIFT FORK	1			KPL. 3/4 E2408	0,000		
120	1290.306.066	1000001039	SLIDING PAD	1				0,037		
130	1290.306.066	1000001039	SLIDING PAD	1				0,037		
140	---		SWIVEL SCREW	1			O.INDUKT-HAERTUNG M18X1,5	0,000		
---	1346.306.088	1877293	SWIVEL SCREW	1		Z00008927610		0,000		
---	---		SPRING WASHER	1				0,000		
---	0730.301.379	1882879	SPRING WASHER	1			19X28 19X28	0,000		
---	0730.302.932		SPRING WASHER	1			CRVI-FREE*ISO12683 19X28	0,000		
150	---		SWIVEL SCREW	1			O.INDUKT-HAERTUNG M18X1,5	0,000		
---	1346.306.088	1877293	SWIVEL SCREW	1		Z00008927610		0,000		
---	---		SPRING WASHER	1				0,000		
---	0730.301.379	1882879	SPRING WASHER	1			19X28 19X28	0,000		
---	0730.302.932		SPRING WASHER	1			CRVI-FREE*ISO12683 19X28	0,000		
160	0501.217.830	1853688	GEARSHIFT FORK	1			KPL. 5/6 OD	0,000		
170	1290.306.423		SLIDING PAD	1			ENTHALT.IN 1290 306 422(2)	0,000		
180	1290.306.423		SLIDING PAD	1			ENTHALT.IN 1290 306 422(2)	0,000		
190	---		SWIVEL SCREW	1			O.INDUKT-HAERTUNG M18X1,5	0,000		
---	1346.306.088	1877293	SWIVEL SCREW	1		Z00008927610		0,000		
---	---		SPRING WASHER	1				0,000		
---	0730.301.379	1882879	SPRING WASHER	1			19X28 19X28	0,000		
---	0730.302.932		SPRING WASHER	1			CRVI-FREE*ISO12683 19X28	0,000		

Parts list

Page 3 from 3

Material number: 1346.001.007

6 S 800 TO /

Plate: 150.06.01-1

Material-assembly-group-no: 1346.106.002



Pos.	Material number	Customer material	Name	Quantity	ME	Amend. no.	Techn. Info.	Weight	Rep kit	Alternative material
200	---		SWIVEL SCREW	1			O.INDUKT-HAERTUNG M18X1,5	0,000		
---	1346.306.088	1877293	SWIVEL SCREW	1		Z00008927610		0,000		
---	---		SPRING WASHER	1				0,000		
---	0730.301.379	1882879	SPRING WASHER	1			19X28 19X28	0,000		
---	0730.302.932		SPRING WASHER	1			CRVI-FREE*ISO12683 19X28	0,000		
230	0501.217.832	1853689	PUSHROD	1			KPL. E2408/10	0,000		
240	0636.100.613		HEXAGON SCREW	1		Z00007067611	M6X20	0,005		
250	0636.100.613		HEXAGON SCREW	1		Z00007067611	M6X20	0,005		

Plant

Page 1 from 1

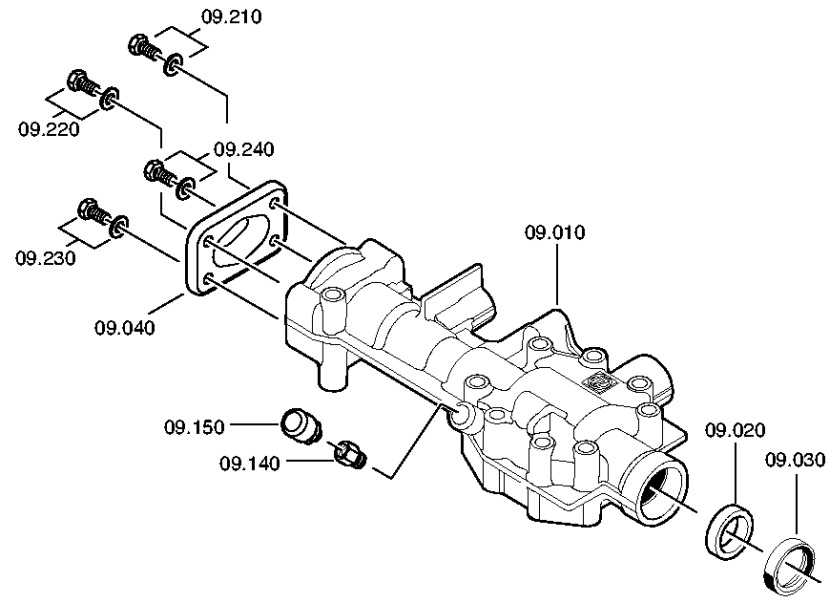
Material number: 1346.001.007

Plate: 150.09.04-1

Material-assembly-group-no: 1346.109.006

6 S 800 TO /

GEAR SHIFT HOUSING



Parts list

Page 1 from 1

Material number: 1346.001.007

6 S 800 TO /

Plate: 150.09.04-1

Material-assembly-group-no: 1346.109.006



Pos.	Material number	Customer material	Name	Quantity	ME	Amend. no.	Techn. Info.	Weight	Rep kit	Alternative material
10	1346.307.346		GEAR SHIFT HOUSING	1		Z00016798910	MGS RL-LL DG	0,000		
20	0730.260.703		BUSH	1			A=13,70	0,000		
30	0734.309.765		SHAFT SEAL	1			28X42X11 FA.SKT	0,000		
40	1341.307.113		COVER	1		Z00009271410		0,000		
140	0731.300.041		THREADED BUSH	1		Z00009162110		0,000		
150	0501.218.540		BREATHER	1				0,000		
210	---		HEXAGON SCREW	1		Z00007891111	M8X20	0,000		
---	0636.100.796		HEXAGON SCREW	1		Z00007891120	M8X20	0,000		
---	0630.100.295		WASHER	1		Z00007158414		0,000		
220	---		HEXAGON SCREW	1		Z00007891111	M8X20	0,000		
---	0636.100.796		HEXAGON SCREW	1		Z00007891120	M8X20	0,000		
---	0630.100.295		WASHER	1		Z00007158414		0,000		
230	---		HEXAGON SCREW	1		Z00007891111	M8X20	0,000		
---	0636.100.796		HEXAGON SCREW	1		Z00007891120	M8X20	0,000		
---	0630.100.295		WASHER	1		Z00007158414		0,000		
240	---		HEXAGON SCREW	1		Z00007891111	M8X20	0,000		
---	0636.100.796		HEXAGON SCREW	1		Z00007891120	M8X20	0,000		
---	0630.100.295		WASHER	1		Z00007158414		0,000		

Plant

Page 1 from 1

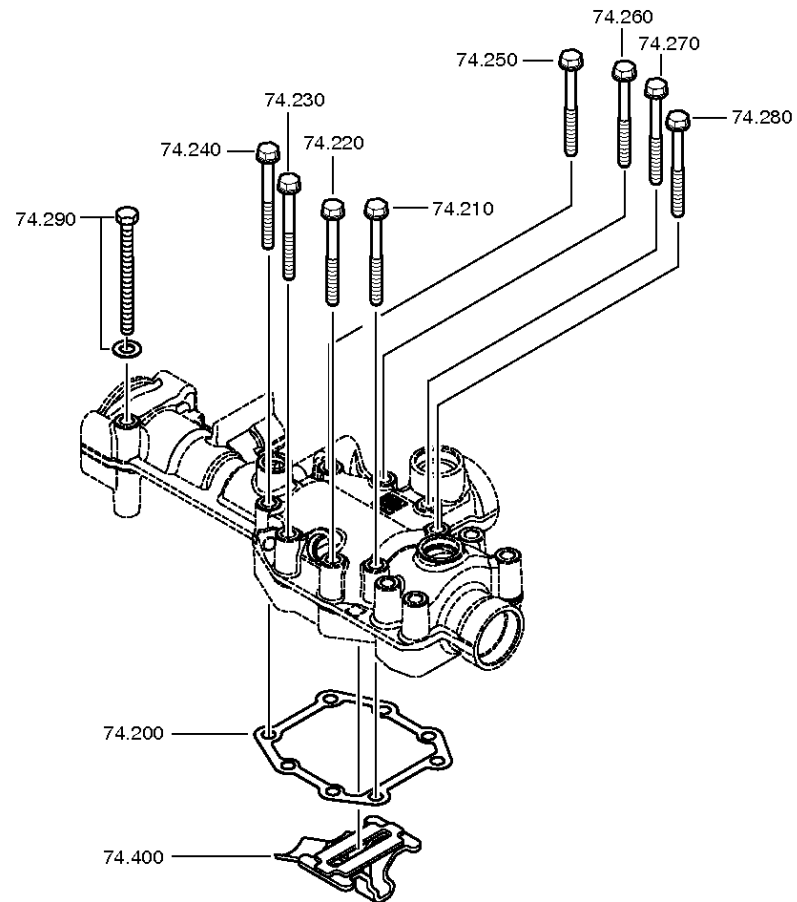
Material number: 1346.001.007

Plate: 150.10.01-1

Material-assembly-group-no: 1346.174.800

6 S 800 TO /

SHIFT TURRET



Parts list

Page 1 from 1

Material number: 1346.001.007

6 S 800 TO /

Plate: 150.10.01-1

Material-assembly-group-no: 1346.174.800



Pos.	Material number	Customer material	Name	Quantity	ME	Amend. no.	Techn. Info.	Weight	Rep kit	Alternative material
200	1346.307.016		GASKET	1			SCHALTGEHAEUSE	0,000		
210	0736.300.137	1197869	HEXAGON SCREW	1		Z00009195410	M8X80 M8X80	0,000		
220	0736.300.137	1197869	HEXAGON SCREW	1		Z00009195410	M8X80 M8X80	0,000		
230	0736.300.137	1197869	HEXAGON SCREW	1		Z00009195410	M8X80 M8X80	0,000		
240	0736.300.137	1197869	HEXAGON SCREW	1		Z00009195410	M8X80 M8X80	0,000		
250	0736.300.137	1197869	HEXAGON SCREW	1		Z00009195410	M8X80 M8X80	0,000		
260	0736.300.137	1197869	HEXAGON SCREW	1		Z00009195410	M8X80 M8X80	0,000		
270	0736.300.137	1197869	HEXAGON SCREW	1		Z00009195410	M8X80 M8X80	0,000		
280	0736.300.137	1197869	HEXAGON SCREW	1		Z00009195410	M8X80 M8X80	0,000		
290	---		HEXAGON SCREW	1			M8X100	0,000		
---	0636.100.932		HEXAGON SCREW	1		Z00008430010	M8X100	0,000		
---	0630.100.295		WASHER	1		Z00007158414		0,000		
400	1290.207.003		LOCKING PIECE	1			KPL.KLT.CGS 1290+CGS/ MGS	0,000		

Plant

Page 1 from 1

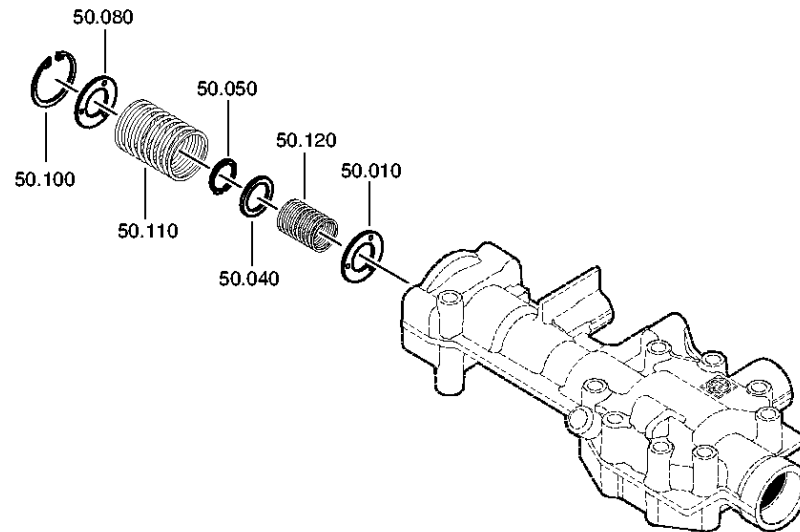
Material number: 1346.001.007

Plate: 150.50.04-1

Material-assembly-group-no: 1346.150.012

6 S 800 TO /

SET OF SPRINGS



Parts list

Page 1 from 1

Material number: 1346.001.007

6 S 800 TO /

Plate: 150.50.04-1

Material-assembly-group-no: 1346.150.012



Pos.	Material number	Customer material	Name	Quantity	ME	Amend. no.	Techn. Info.	Weight	Rep kit	Alternative material
10	0730.301.376	1884285	WASHER	1		Z00008917410		0,000		
40	0730.301.374		WASHER	1		Z00008917310	A=2,00 A=2,00	0,000		
50	0630.532.138	5004143	V-RING	1				0,000		
80	0730.301.377		WASHER	1		Z00008918410	h=2,00	0,000		
100	0630.502.022		RETAINING RING	1			40X1,75	4,800		
110	0732.040.444	35053300	COMPRESSION SPRING	1				30		
120	0732.040.728		COMPRESSION SPRING	1				0,010		

Plant

Page 1 from 1

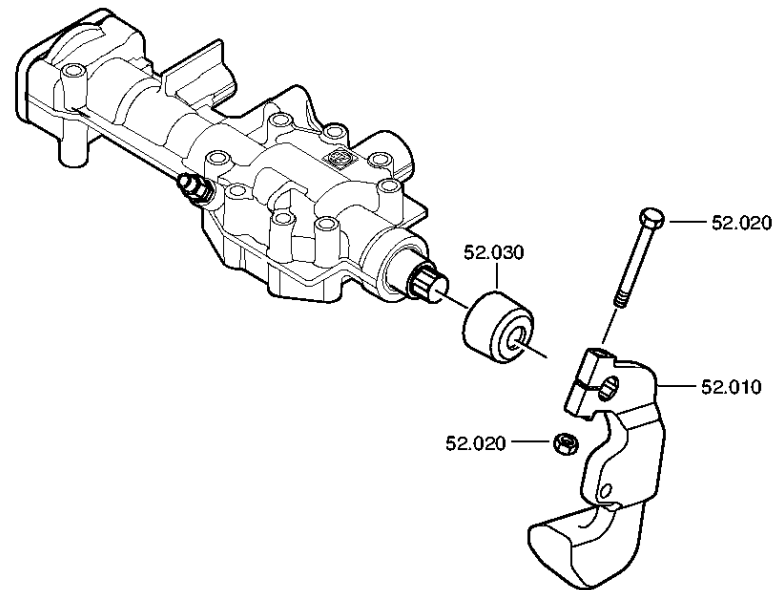
Material number: 1346.001.007

Plate: 150.52.05-1

Material-assembly-group-no: 1346.152.009

6 S 800 TO /

LEVER



Parts list

Page 1 from 1

Material number: 1346.001.007

6 S 800 TO /

Plate: 150.52.05-1

Material-assembly-group-no: 1346.152.009



Pos.	Material number	Customer material	Name	Quantity	ME	Amend. no.	Techn. Info.	Weight	Rep kit	Alternative material
10	1346.307.039		SHIFT LEVER	1				0,000		
20	---		BOLT+NUT	1		Z00012297710	M10X65	0,000		
---	0636.100.713		HEXAGON SCREW	1		Z00007890810	M10X65	0,000		
---	0637.100.419		HEXAGON NUT	1		Z00007892710	M10	0,000		
30	0501.326.388		PROTECTION CAP	1			SCHALTWELLE F.6-GANG GETRIEBE	0,000		

Plant

Page 1 from 1

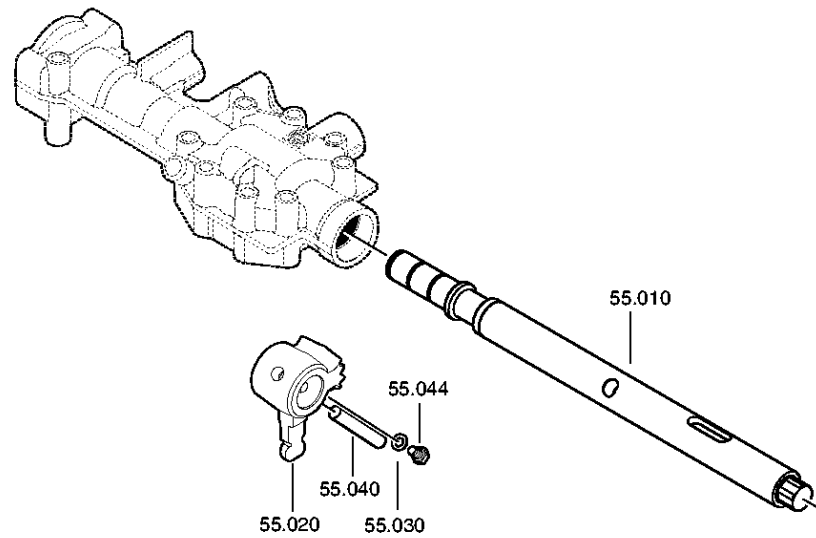
Material number: 1346.001.007

Plate: 150.55.03-1

Material-assembly-group-no: 1346.155.005

6 S 800 TO /

GEAR SHIFT SHAFT



Parts list

Page 1 from 1

Material number: 1346.001.007

6 S 800 TO /

Plate: 150.55.03-1

Material-assembly-group-no: 1346.155.005



Pos.	Material number	Customer material	Name	Quantity	ME	Amend. no.	Techn. Info.	Weight	Rep kit	Alternative material
10	1346.307.042		GEAR SHIFT SHAFT	1			MGS LHD	0,000		
20	1346.307.048		DRIVER	1		C01008590E10	MGS RL AND LL	0,000		
30	0630.003.005		WASHER	1				0,000		
40	0631.315.522		CYLINDRICAL PIN	1			10X45	0,000		
44	---		HEXAGON BOLT	1			M6X10	0,000		
---	0636.015.032	8900125258	HEXAGON SCREW	1			M6X10	4		

Plant

Page 1 from 1

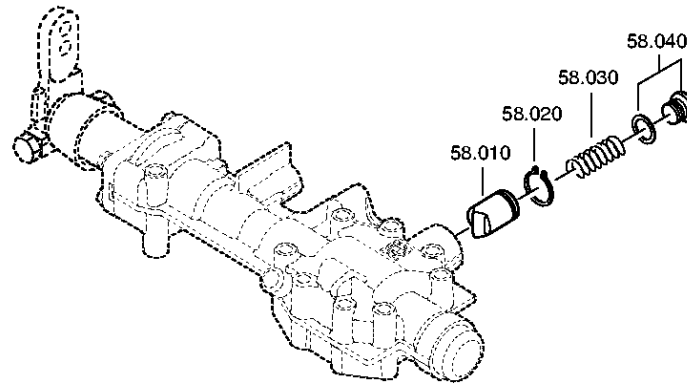
Material number: 1346.001.007

Plate: 150.58.01-1

Material-assembly-group-no: 1346.158.004

6 S 800 TO /

DETENT



Parts list

Page 1 from 1

Material number: 1346.001.007

6 S 800 TO /

Plate: 150.58.01-1

Material-assembly-group-no: 1346.158.004



Pos.	Material number	Customer material	Name	Quantity	ME	Amend. no.	Techn. Info.	Weight	Rep kit	Alternative material
10	1346.307.051		LOCKING PIN	1		C01008616E10	MGS LHD UND RHD	0,000		
20	---		RETAINING RING	1			H= 1,35- 1,85(ABSTUFUNG:0,10MM)	0,000		
---	0730.501.805		RETAINING RING	1			A=1,85	0,000		
---	0630.501.367		RETAINING RING	1			20X1,75	0,000		
---	0630.501.368		RETAINING RING	1			20X1,65	0,000		
---	0630.501.369		RETAINING RING	1			20X1,55	0,000		
---	0630.501.376		RETAINING RING	1			20X1,45	0,000		
---	0630.501.377		RETAINING RING	1			20X1,35	0,000		
30	0732.042.991		COMPRESSION SPRING	1			RASTIERG.O.INT.SERVO 6G	0,000		
40	---		SCREW PLUG	1		Z00010111811	M30X1,5	0,000		
---	0636.302.610		SCREW PLUG	1		Z00010111810	M30X1,5	0,000		
---	0634.801.097		SEALING RING	1		Z00010111810	30X36	0,019		

Plant

Page 1 from 1

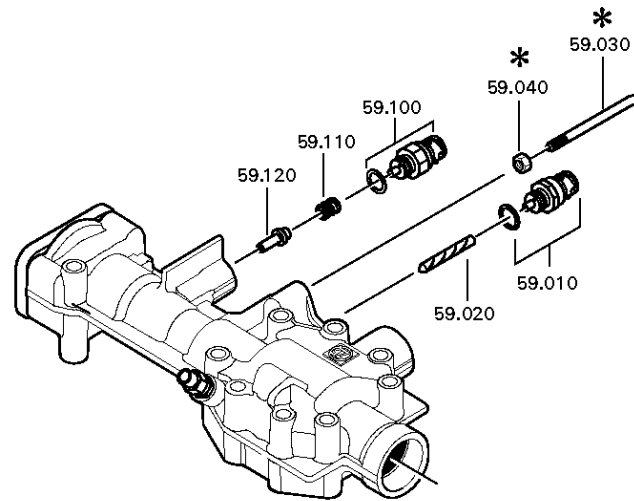
Material number: 1346.001.007

Plate: 150.59.03-1

Material-assembly-group-no: 1346.159.007

6 S 800 TO /

SWITCH



Parts list

Page 1 from 1

Material number: 1346.001.007

6 S 800 TO /

Plate: 150.59.03-1

Material-assembly-group-no: 1346.159.007



Pos.	Material number	Customer material	Name	Quantity	ME	Amend. no.	Techn. Info.	Weight	Rep kit	Alternative material
10	---		SWITCH	1			OEFF*45N.M*DICHTRING* BAJONETT*SCHUTZKAPPE	0,000		
---	0501.219.856	1946804	SWITCH	1			OEFFNER DIN BAJONETT	0,000		
---	0634.801.062		SEALING RING	1			18X24	0,001		
20	0731.201.759		PIN	1			ENTHALT.IN 0731 201 445(2)	0,000		
30	1316.307.431		BRACKET	1		Z00009440410		0,000		
40	0637.006.280		HEXAGON NUT	1			M8	0,000		
100	---		SWITCH	1			SCHL*45N.M*DICHTRING* BAJONETT*SCHUTZKAPPE	0,000		
---	0501.210.058	5 6104 0	SWITCH	1			KPL.	0,000		
---	0634.801.062		SEALING RING	1			18X24	0,001		
---	0700.300.427		PROTECTION CAP	1				0,005		
110	0732.040.986		COMPRESSION SPRING	1				5		
120	1346.307.020	1346307020/DIREKTH Ä./PL1V1	BOLT	1				0,000		

Plant

Page 1 from 1

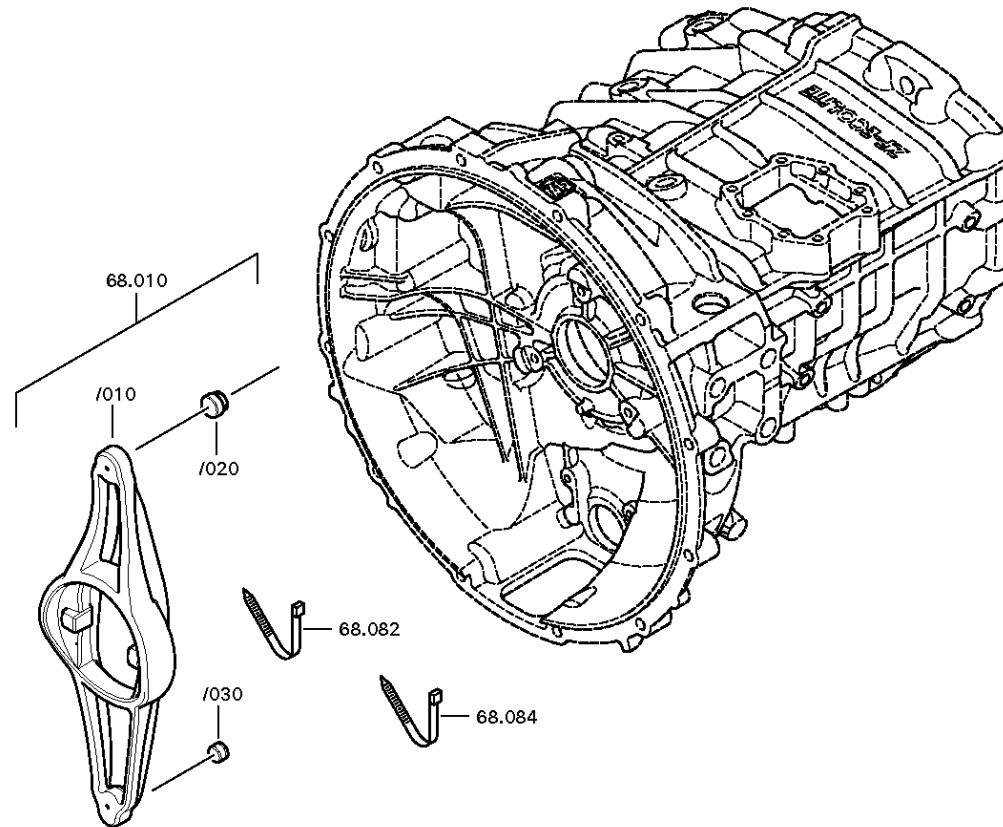
Material number: 1346.001.007

Plate: 150.93.49-1

Material-assembly-group-no: 6060.168.013

6 S 800 TO /

CLUTCH RELEASE DEVICE



Parts list

Page 1 from 1

Material number: 1346.001.007

6 S 800 TO /

Plate: 150.93.49-1

Material-assembly-group-no: 6060.168.013



Pos.	Material number	Customer material	Name	Quantity	ME	Amend. no.	Techn. Info.	Weight	Rep kit	Alternative material
10	6060.268.035		RELEASE FORK	1			KPL. l=2,00	0,000		
/10	6060.368.047		RELEASE FORK	1				0,000		
/20	0501.324.061		BALL CUP	1				0,000		
/30	0501.315.159		BALL CUP	1			KS12-18-12	0,000		
82	0659.160.033		CABLE CLIP	1		Z00007460510	4,8X302	0,002		
84	0659.160.033		CABLE CLIP	1		Z00007460510	4,8X302	0,002		