



Spare Parts Catalog

6 S 850

Material number: 1290.055.130

Current date: 19.07.2013

ZF Friedrichshafen AG
Hauptverwaltung
80038 Friedrichshafen
Deutschland

Telefon: +49 7541 77-0

Telefax: +49 7541 77-908000

www.zf.com

zuständiges Werk:
Friedrichshafen

Notes relating to the spare parts catalog

Setup of the spare parts catalog

- Cover sheet
- Technical Cover (only in SDM print)
- Overview of figures
- Figure
- Associated parts list
- Next figure
- Associated parts list
- ...

Figure and parts list



Overview of figures

Bildtafel Figure	Sachnummer Product number	Benennung (Description)	Technische Info Technical info	Description (Benennung)	Menge Quantity	Einheit Unit
068.08.17	1316.170.001	AUSLEGER	WL	SHIFT TURRET	1	Stk
068.08.06	1316.170.031	DECKEL	WL*H-H *VM	COVER	1	Stk
068.08.14	1316.170.808	DECKEL	WL*AUSL+GEH*H-H*HF160N	COVER	1	Stk
08	1316.170.441	ANSCHLUSSTEILE	WL*NG-VORB*RG-SCHL*168N *BAJONETT	CONNECTING PARTS	1	Stk

The "gap" indicates that there is no separate graphics panel (poster) for this assembly
The parts of this assembly are shown with the same mid-section number on the figure

1 Positions and subpositions

Pos.	Sachnummer Product number	Benennung (Description)	Technische Info Technical info	Description (Benennung)	Menge Quantity	Einheit Unit
0370	1315.201.054	RUECKLAUFBOLZEN	KPL.16S151*SG*L= 79	REV.IDLER SHAFT	1	Stk
/0120	0631.329.293	SPANNSTIFT		SLOT. PIN	1	Stk

Positions marked with "/" are the individual items of a completion
For example: Position 0370 contains a centering pin with the position /0120

2 Combinations with standardized parts

Pos.	Sachnummer Product number	Benennung (Description)	Technische Info Technical info	Description (Benennung)	Menge Quantity	Einheit Unit
0630		VERSCHL.SCHR.		SCREW PLUG	1	Stk
	0636.302.067	VERSCHL.SCHR.		SCREW PLUG	1	Stk
	0634.801.249	DICHTRING	A 26 X 31	SEALING RING	1	Stk

The parts list shows the components included in the combination of standardized parts

3 Depiction of position/item number on the figure and in the parts list

01.620 - on the figure 01 relates to the assembly in which the position is included. Due to program-related reasons, it is shown on the figure.

0620 - in the parts list

Pos.	Sachnummer Product number	Benennung (Description)	Technische Info Technical info	Description (Benennung)	Menge Quantity	Einheit Unit
0620	0732.040.736	DRUCKFEDER		COMPRESSION SPRING	1	Stk

4 *-Positions

Positions marked with an * are optional i.e. inclusion in the parts list is not mandatory.
The following note is shown on the figure

je nach Stücklistenausführung
depending on spec. number
*
suivant la nomenclature
secondo la distinta base

5 Parts, dotted display

Parts with dotted display on the figure are only used for orientation of other parts



Pos.	Information	Amendment number
001	Use case -----	
002	Customer MAN	
003	City NN	
004	DUNS	
006	Sales Name L2000	
007	Manufacturer MAN	
008	Engineering Name	
009	Product Use TRUCK	
011	SOP	
012	Engine	
013	Sales Designation	
014	Manufacturer MAN	
015	Eng.Displ.	
016	Cylinder	
017	Nom. power 162 kW	
018	RPM at nom. power 2400 1/min	
019	Nom. torque 850 Nm	
020	RPM at nom. torque 1100 1/min	
021	Classification use case -----	
022	APPROVAL NOTE 1 ERSTEINBAU*UEBERPRUEFUNG ERFORDERLICH	
026	DESIGNATION, CLUTCH MF395	
027	MANUFACTURER, CLUTCH ZF-SACHS	
032	DYNAMIC TYRE RADIUS 372 mm	
033	REAR AXLE RATIO 4.11	
037	PERMISS.GROSS VEHICLE WEIGHT 10 t	
038	PERMISS.GROSS COMBIN.WEIGHT 22 t	
043	Product description -----	
044	INSTALLATION POS TRANSMISSION HORIZONTAL LEFT	
045	TRANSMISSION ATTACHMENT FLANGE-MOUNTED	
047	RATIO, BOTTOM GEAR 6.72	
048	RATIO, TOP GEAR .79	
049	SET OF RATIOS SG	
050	RATIO, 1ST GEAR 6.72	



Pos.	Information	Amendment number
051	RATIO, 2ND GEAR 3.66	
052	RATIO, 3RD GEAR 2.18	
053	RATIO, 4TH GEAR 1.41	
054	RATIO, 5TH GEAR 1	
055	RATIO, 6TH GEAR .79	
056	RATIO, 1ST GEAR REVERSE 6.03	
057	DESIGN GEARING LOW NOISE GEARING	
058	DESIGN, SHIFT SYSTEM TURNING SHAFT	
059	POSITION, GEAR SHIFT SYSTEM HORIZONTAL RIGHT	
062	DESIGN, SEPARATING CLUTCH FULL-SYNCHRONIZED	
064	REFERENCE LENGTH INPUT SHAFT 70.5 mm	
065	DIAMETER, JOURNAL, INPUT SHAFT 25 mm	
066	STANDARD TYPE INPUT SHAFT SAE	
067	NUMBER OF WEDGES INPUT SHAFT 10	
068	TYPE FIT SPIGOTS INPUT SHAFT F7	
071	VERSION OF INPUT SHAFT FORM C	
072	DIAMETER SHAFT OF INPUT SHAFT 42 mm	
073	NOMINAL DIAMETER INPUT SHAFT 1.75 in	
074	BUSH VARIANT INPUT SHAFT WITHOUT GROOVE	
080	DESIGN,CONN., CLUTCH HOUSING SAE 2	
084	NOTE ON RELEASE BEARING FLANGE CENTRAL RELEASE	
087	DESIGN BEARING OUTPUT STANDARD SUSPENSION	
088	OUTER DIA. OUTPUT FLANGE RA 150 mm	
090	NO.OF BORES OUTPUT FLANGE HA1 4	
091	BORE DIA. OUTPUT FLANGE RA 13 mm	
093	REF. LENGTH OUTPUT FLANGE RA 737 mm	
097	DIMENSION SHIFT TURRET DIST. 261 mm	
098	MEAS. LOC. SHIFT TURRET DIST. DRILL HOLE SHIFT LEVER	
104	RADIUS 1 SHIFT LEVER 55 mm	
111	LEVER POSITION SHIFTING OUTPUT C	
115	GEAR SHIFT LEVER ANGLE EPSILON 24 GRAD	
116	SPRING ARRANGEMENT Q9	
117	SPRING FORCE DETENT PLUNGER RG 176 N	



Pos.	Information	Amendment number
120	SELECTION PATTERN VARIANT GEAR SHIFT PATTERN 1	
126	SWITCH, REVERSE GEAR y	
127	DESIGN, RG (REV.GEAR) SWITCH OPENING SWITCH	
128	NOTE ON SWITCH, REVERSE GEAR GEAR SHIFT RAIL	
129	PROT.CAP SWITCH, REVERSE GEAR y	
130	DESIGN, CONNECTION, RG SWITCH DIN BAYONET	
146	VERSION OF CLUTCH HOUSING INTEGRATED	
147	TYPE OF RELEASE MECHANISM CENTRAL	
148	VERSION OF CLUTCH CYLINDER CSC	
153	DESIGN ACTUATION COUPLING DEPRESSED	
155	INSTALL. DIM. CLUTCH HOUSING 107 mm	
158	DIAMETER CLUTCH HOUSING 82 mm	
159	THREAD DIA. MTG BOLT SUSPENSION 14	
161	GEW.STEIGUNG BEF.SCHR KUPL.GEH 1.5 mm	
174	NO. PULSES PULSE SENSOR SFAH68 6 IMP/U	
177	VERSION PULSE SENSOR SFA H68 WITH	
180	PROT.CAP PULSE SENSOR SFA H68 y	
204	OIL CAPACITY, GEARBOX 7.5 dm3	
205	OIL FILL VARIANT EX WORKS	
206	OIL GRADE PERMISSIBLE TITAN EG75 ZF	
208	COLOR JET BLACK	
209	COLOUR CLASSIFICATION ACC. TO RAL 9005	
211	PAINTING, ZF STANDARD 915 W	
213	CODING OUTER CONSERVATION KA1	
214	SCOPE OUTER CONSERVATION T	
215	CODING INNER CONSERVATION KI1	
216	CONSERVATION SPECIFICATION ZFN 916	
217	CODIERUNG STOPFENANZAHL	
218	Documents -----	
219	SCHALTGETRIEBE Drawing 1290.055.700	
220	DREHW.SCHALTUNG Drawing 1290.607.001	
221	6-GANG-GETRIEBE Drawing 1290.655.029	
222	Drawing 1290.700.087	



Pos.	Information	Amendment number
223	Alias ID -----	
224	MAN 81.32003-6503	

Assembly group overview

Material number: 1290.055.130

6 S 850 /



Page 1 from 1

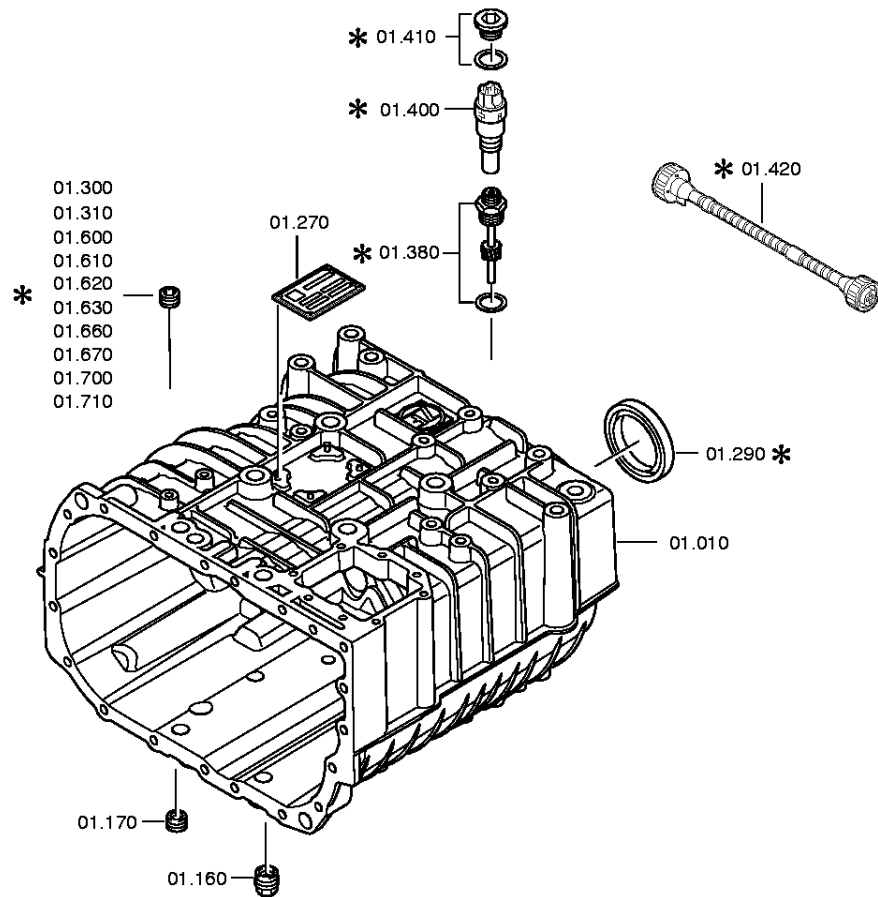
Graphics	Pos.	Material number	Name	Quantity	Amend. no.	Techn. Info.
032.01.05-1	110	1290.101.156	GEARBOX HOUSING	1		
032.01.05-1	120	1290.101.909	GEARBOX HOUSING	1		
032.01.05-1	122	1290.101.463	CONNECTING PARTS	1		
032.01.88-1	912	1290.101.224	CLUTCH HOUSING	1		
032.02.44-1	140	1290.102.525	CONNPLATE	1		
032.02.04-1	150	1290.102.816	INPUT SHAFT	1		
032.02.04-1	920	1290.102.130	INPUT SHAFT	1		
032.03.02-1	170	1290.103.807	LAYSHAFT	1		
032.03.02-1	920	1290.103.075	LAYSHAFT	1		
032.04.86-1	210	1290.104.851	MAIN SHAFT	1		
032.04.06-1	910	1290.104.158	MAIN SHAFT	1		
032.05.01-1	220	1290.105.017	RETURN	1		
032.06.09-1	230	1290.106.059	GEAR SHIFT SYSTEM	1		
032.06.09-1	232	1290.106.824	GEAR SHIFT SYSTEM	1		
032.06.40-1	240	1290.106.406	CONNECTING PARTS	1		
032.07.05-1	270	1290.107.801	GEAR SHIFT HOUSING	1		
032.07.05-1	910	1290.107.350	GEAR SHIFT HOUSING	1		
032.07.05-1	920	1290.107.349	GEAR SHIFT SHAFT	1		
032.07.05-1	930	1290.107.550	CONNECTING PARTS	1		
032.93.21-1	134	1290.168.004	CONCS-CYLINDER	1		

Plant

Page 1 from 2

Material number: 1290.055.130
Plate: 032.01.05-1
GEARBOX HOUSING

6 S 850 /
GEARBOX HOUSING

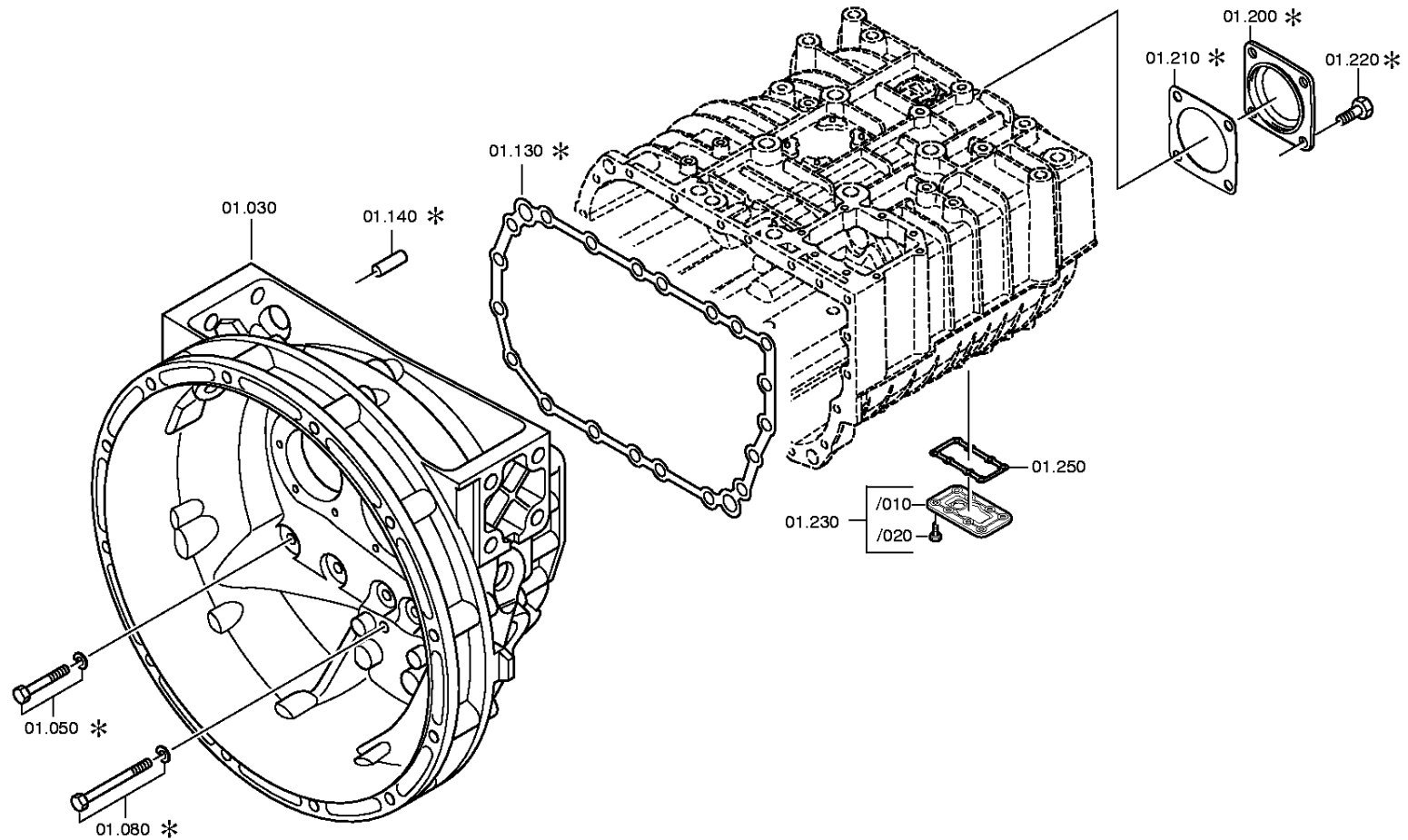


Plant

Page 2 from 2

Material number: 1290.055.130
Plate: 032.01.88-1
GEARBOX HOUSING

6 S 850 /
GEARBOX HOUSING



Parts list

Page 1 from 2

Material number: 1290.055.130

6 S 850 /

Plate: 032.01.05-1

Material-assembly-group-no: 1290.101.156



Pos.	Material number	Customer material	Name	Quantity	ME	Amend. no.	Techn. Info.	Weight	Rep kit	Alternative material
10	1290.201.253		HOUSING	1		C01008822E10	KPL.6S850	0,000		
30	1290.201.173		CLUTCH HOUSING	1			KPL.SAE2*6S850*GD* MAN	0,000		
50	---		HEXAGON BOLT	1		Z00007071114	M10X55	0,000		
---	0636.100.341		HEXAGON BOLT	1		Z00007071113	M10X55	0,000		
---	0630.100.294		WASHER	1		Z00007158111		0,000		
80	---		HEXAGON BOLT	19			M10X80	0,000		
---	0636.100.420		HEXAGON BOLT	19		Z00007417210	M10X80	0,000		
---	0630.100.294		WASHER	19		Z00007158116		0,000		
130	1290.301.146		GASKET	1				0,000		
140	0631.306.230		CYLINDRICAL PIN	2			16X30	0,000		
160	---		SCREW PLUG	1		Z00010176112	M24X1,5	0,000		
---	0736.300.160	4471982.1	SCREW PLUG	1		Z00010176110	M24X1,5 M24X1,5	0,000		
---	0730.008.637		SEALING RING	1		Z00010176110	24X29	0,000		
170	---		SCREW PLUG	1		Z00010112112	60N.M*DICHTRING M24X1,5	0,000		
---	0636.304.088		SCREW PLUG	1		Z00010112110	M24X1,5	0,000		
---	0730.008.637		SEALING RING	1		Z00010112110	24X29	0,000		
200	1328.301.170	1878388	COVER	1		Z00008068012		0,000		
210	1238.308.201	5006880	GASKET	1			ENTHALT.IN 1238 308 202(2)	0,000		
220	0636.016.406		HEXAGON BOLT	4		Z00007061013	M12X25	0,000		
230	---		COVER	1				0,000		
---	1290.201.069		COVER	1			KPL.	0,000		
/10	1290.301.125		COVER	1			ENTHALT.IN 1290 301 160(1)	0,000		
/20	0636.100.622		HEXAGON BOLT	8			M8X16	0,000		
---	1290.201.068		COVER	1			KPL.	0,000		
/10	1290.301.037		COVER	1			ENTHALT.IN 1290 301 036(1)	0,000		
/20	---		HEXAGON BOLT	8			M8X30	0,000		
250	1290.301.145		GASKET	1				0,000		
270	---		TYPE PLATE	1		C01001056E10		0,000		

Parts list

Page 2 from 2

Material number: 1290.055.130

6 S 850 /

Plate: 032.01.05-1

Material-assembly-group-no: 1290.101.156



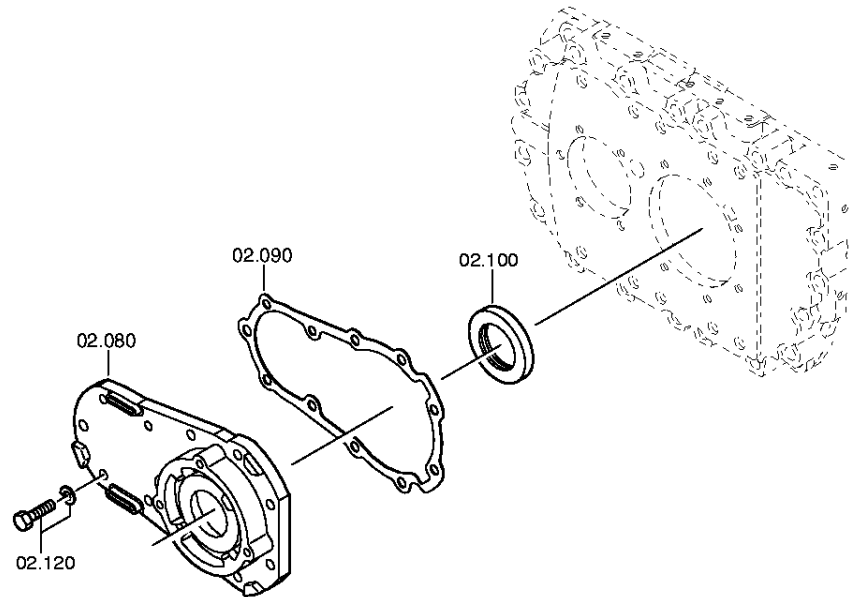
Pos.	Material number	Customer material	Name	Quantity	ME	Amend. no.	Techn. Info.	Weight	Rep kit	Alternative material
---	0730.365.241		TYPE PLATE	1			EINHEITSSCH. VERDREHSICHER	0,000		
---	0730.365.171		TYPE PLATE	1			ZF HUNGARIA	0,000		
---	0730.365.202		TYPE PLATE	1			ZF DRIVETECH CHINA ECOLITE	0,000		
290	---		SHAFT SEAL	1		C01003119F10	60X74X10	0,000		
---	0750.111.469	5 8394 0	SHAFT SEAL	1			60X74X10	0,000		
/10	0734.319.410		SHAFT SEAL	1			60X74X10 FA.ELRING	0,000		
/20	0734.319.688		SHAFT SEAL	1			60X74X10 FA.CFW	0,000		
400	0501.208.792	3150365600	PULSE SENSOR	1			KPL. IN 0501 208 790(1)	95		

Plant

Page 1 from 2

Material number: 1290.055.130
Plate: 032.02.44-1
INPUT SHAFT

6 S 850 /
CONNPLATE

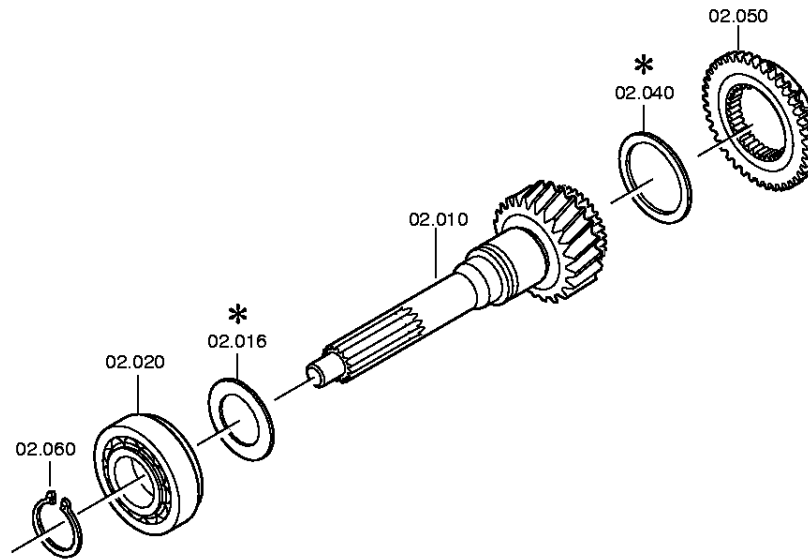


Plant

Page 2 from 2

Material number: 1290.055.130
Plate: 032.02.04-1
INPUT SHAFT

6 S 850 /
CONNPLATE



Parts list

Page 1 from 1

Material number: 1290.055.130

6 S 850 /

Plate: 032.02.44-1

Material-assembly-group-no: 1290.102.525



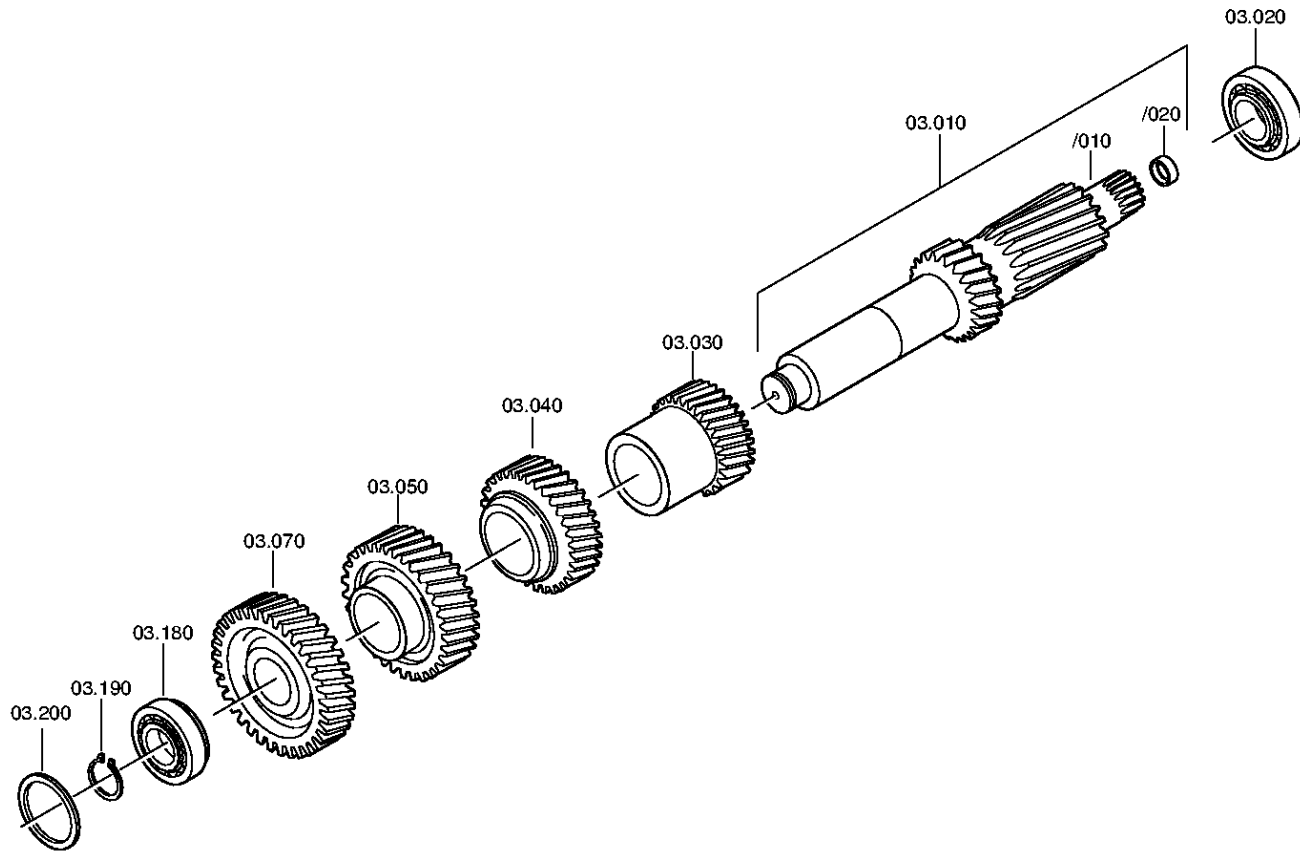
Pos.	Material number	Customer material	Name	Quantity	ME	Amend. no.	Techn. Info.	Weight	Rep kit	Alternative material
10	1290.302.524		INPUT SHAFT	1		C01003894E10		0,000		
20	0735.330.800		BALL BEARING	1		C01003894E10	55,0X116,0X28,0 FA. SKF	0,000		
50	1290.304.482		CLUTCH BODY	1		C01007702B10	ENTHALT.IN 1290 302 375(1)	0,000		
60	0630.531.070	1639780	RETAINING RING	1		C01003894E10	55X3	0,010		
80	1290.302.430		CONNPLATE	1				0,000		
90	0501.315.106		GASKET	1				0,000		
100	0750.111.149	8 8194 0	SHAFT SEAL	1			48X65X10	0,000		
120	---		HEXAGON BOLT	11			M8X28	0,000		
---	0636.016.414	1869864	HEXAGON BOLT	11		Z00007059110	M8X28	0,000		
---	---		SPRING WASHER	11		Z00018433711		0,000		
---	0630.100.251		SPRING WASHER	11		Z00018433710		0,000		
---	0630.100.458		SPRING WASHER	11		Z00018433710		0,000		

Plant

Page 1 from 1

Material number: 1290.055.130
Plate: 032.03.02-1
LAYSHAFT

6 S 850 /
LAYSHAFT



Parts list

Page 1 from 2

Material number: 1290.055.130

6 S 850 /

Plate: 032.03.02-1

Material-assembly-group-no: 1290.103.807



Pos.	Material number	Customer material	Name	Quantity	ME	Amend. no.	Techn. Info.	Weight	Rep kit	Alternative material
10	1290.203.045		LAYSHAFT	1			KPL.SG*GERAEUSCHOPTI MIERT	0,000		
/10	1290.303.214		LAYSHAFT	1				0,000		
/20	1250.303.095		THRUST RING	1				0,000		
20	0735.370.438		TAROLLBEARING	1		C01000582E10	39,688X76,200X23,812	0,000		
30	1290.303.213		HELICAL GEAR	1			3G	0,000		
40	1290.303.198		HELICAL GEAR	1			4G/Z31	0,000		
50	1290.303.199		HELICAL GEAR	1			6G/Z53 IN 1290 303 218(1)	0,000		
70	1290.303.221		HELICAL GEAR	1				0,000		
180	0735.370.438		TAROLLBEARING	1		C01001552C10	39,688X76,200X23,812	0,000		
190	---		RETAINING RING	1			H= 1,30- 1,75(ABSTUFUNG:0,05MM)	0,000		
---	0630.501.031	9-48-104	RETAINING RING	1			40X1,75	4		
---	0630.501.231		RETAINING RING	1			40X1,7	0,000		
---	0630.501.259		RETAINING RING	1			40X1,65	0,000		
---	0630.501.230		RETAINING RING	1			40X1,6	0,000		
---	0630.501.258		RETAINING RING	1			40X1,55	0,000		
---	0630.531.048		RETAINING RING	1			40X1,5	5		
---	0630.501.257		RETAINING RING	1			40X1,45	0,000		
---	0630.501.235		RETAINING RING	1			40X1,4	0,000		
---	0630.501.285		RETAINING RING	1			40X1,35	0,000		
---	0630.501.286		RETAINING RING	1			40X1,3	0,000		
200	---		WASHER	2			H= 1,10- 1,90(ABSTUFUNG:0,05MM)	0,000		
---	0730.005.522		WASHER	2			A=1,90 IN 0730 005 505(2)	0,000		
---	0730.005.521		WASHER	2			A=1,85 IN 0730 005 505(2)	0,000		
---	0730.005.520		WASHER	2			A=1,80 IN 0730 005 505(2)	0,000		
---	0730.005.519		WASHER	2			A=1,75 IN 0730 005 505(2)	0,000		

Parts list

Page 2 from 2

Material number: 1290.055.130

6 S 850 /

Plate: 032.03.02-1

Material-assembly-group-no: 1290.103.807



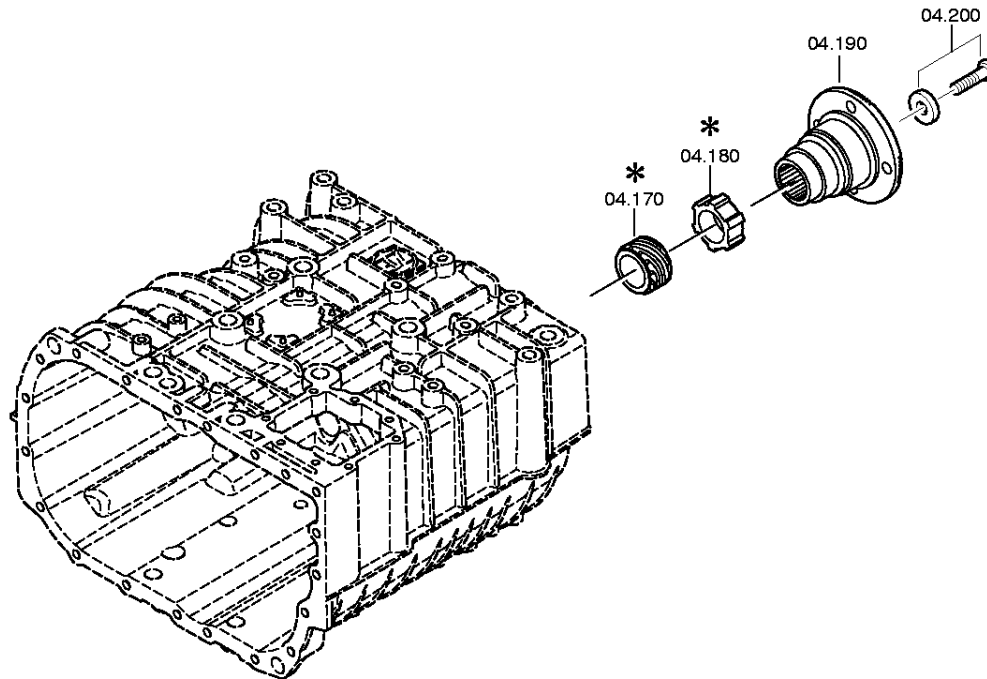
Pos.	Material number	Customer material	Name	Quantity	ME	Amend. no.	Techn. Info.	Weight	Rep kit	Alternative material
---	0730.005.518		WASHER	2			A=1,70 IN 0730 005 505(2)	0,000		
---	0730.005.517		WASHER	2			A=1,65 IN 0730 005 505(2)	0,000		
---	0730.005.516		WASHER	2			A=1,60 IN 0730 005 505(2)	0,000		
---	0730.005.515		WASHER	2			A=1,55 IN 0730 005 505(2)	0,000		
---	0730.005.514		WASHER	2			A=1,50 IN 0730 005 505(2)	0,000		
---	0730.005.513		WASHER	2			A=1,45 IN 0730 005 505(2)	0,000		
---	0730.005.512		WASHER	2			A=1,40 IN 0730 005 505(2)	0,000		
---	0730.005.511		WASHER	2			A=1,35 IN 0730 005 505(2)	0,000		
---	0730.005.510		WASHER	2			A=1,30 IN 0730 005 505(2)	0,000		
---	0730.005.509		WASHER	2			A=1,25 IN 0730 005 505(2)	0,000		
---	0730.005.508		WASHER	2			A=1,20 IN 0730 005 505(2)	0,000		
---	0730.005.507		WASHER	2			A=1,15 IN 0730 005 505(2)	0,000		
---	0730.005.506		WASHER	2			A=1,10 IN 0730 005 505(2)	0,000		

Plant

Page 1 from 2

Material number: 1290.055.130
Plate: 032.04.86-1
MAIN SHAFT

6 S 850 /
MAIN SHAFT

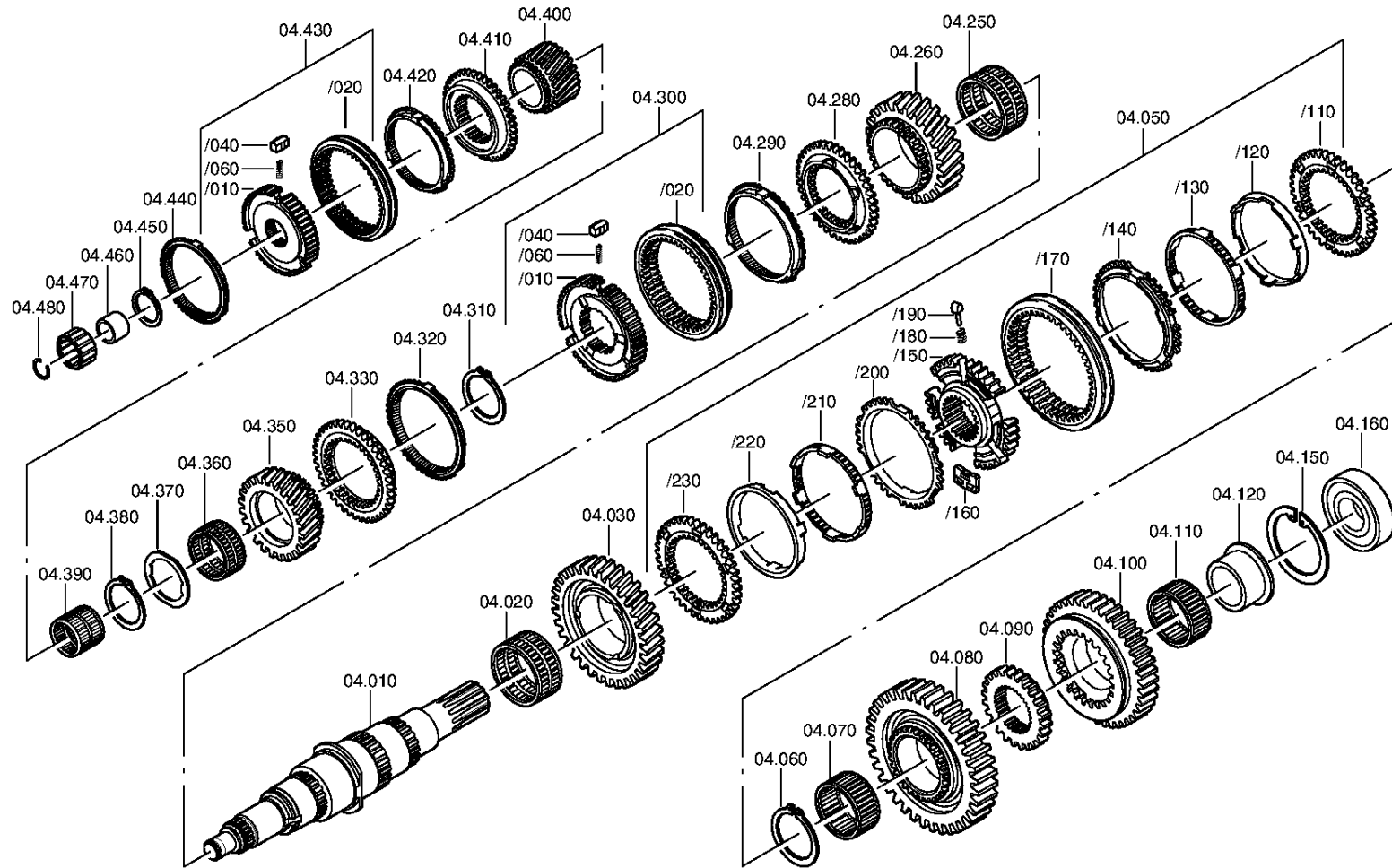


Plant

Page 2 from 2

Material number: 1290.055.130
Plate: 032.04.06-1
MAIN SHAFT

6 S 850 /
MAIN SHAFT



Parts list

Page 1 from 4

Material number: 1290.055.130

6 S 850 /

Plate: 032.04.86-1

Material-assembly-group-no: 1290.104.851



Pos.	Material number	Customer material	Name	Quantity	ME	Amend. no.	Techn. Info.	Weight	Rep kit	Alternative material
10	1290.304.620		MAIN SHAFT	1		C01007152E10		0,000		
20	0735.321.530		NEEDLE CAGE	1		C01003030C10	75,0X83,0X35,0 FA.INA	0,000		
30	1290.304.525		HELICAL GEAR	1			2G IN 1290 304 450(0)	0,000		
50	1290.204.079		SYNCHRONIZER	1		C01003586C10	KPL.ZF-D*D=135/128* 6S850	0,000		
/110	1304.304.623		CLUTCH DISC	1				0,000		
/120	---		INNER RING	1		C01007342D10		0,000		
---	1290.304.579		INNER RING	1			D135/128	0,000		
---	1290.304.350		INNER RING	1			ENTHALT.IN 1290 304 439(1)	0,000		
/130	---		INTERMRING	1		C01008969C10		0,000		
---	1290.304.366		INTERMRING	1			ZF-D135/128 MO-MASS	0,000		
---	6002.306.154		INTERMRING	1			D=135/128	0,000		
/140	1290.304.438		OUTER RING	1			ZF-D135/128	0,000		
/150	1304.304.687		SYNCHROBODY	1			ENTHALT.IN 1304 304 644(0)	0,000		
/160	1312.304.159		COUPLING ELEMENT	3				0,030		
/170	6002.305.994		SLIDING SLEEVE	1		C01007317F10		0,000		
/180	0732.040.409		COMPRSPRING	3		C01006334C10		0,002		
/190	1297.304.436		PRESSURE PIECE	3				0,004		
/200	1290.304.438		OUTER RING	1			ZF-D135/128	0,000		
/210	1290.304.366		INTERMRING	1			ZF-D135/128 MO-MASS	0,000		
/220	---		INNER RING	1		C01007342D10		0,000		
---	1290.304.579		INNER RING	1			D135/128	0,000		
---	1290.304.350		INNER RING	1			ENTHALT.IN 1290 304 439(1)	0,000		
/230	1304.304.623		CLUTCH DISC	1				0,000		
60	---		RETAINING RING	1		C01003030C10	H= 3,80- 4,00(ABSTUFUNG:0,05MM)	0,000		
---	0730.501.708		RETAINING RING	1			A=4,00	0,000		
---	0730.501.707		RETAINING RING	1			A=3,95	0,000		
---	0730.501.706		RETAINING RING	1			A=3,90	0,000		
---	0730.501.705		RETAINING RING	1			A=3,85	0,000		
---	0730.501.704		RETAINING RING	1			A=3,80	0,000		

Parts list

Page 2 from 4

Material number: 1290.055.130

6 S 850 /

Plate: 032.04.86-1

Material-assembly-group-no: 1290.104.851



Pos.	Material number	Customer material	Name	Quantity	ME	Amend. no.	Techn. Info.	Weight	Rep kit	Alternative material
70	0735.321.531		NEEDLE CAGE	1		C01003030C10	68,0X76,0X35,0 FA.INA	0,000		
80	1290.304.572		SPUR GEAR	1			1G	0,000		
90	1290.304.573		CLUTCH BODY	1				0,000		
100	1290.304.058		SPUR GEAR	1			RG/Z35 IN 1290 304 057(1)	0,000		
110	0735.321.531		NEEDLE CAGE	1		C01003321C10	68,0X76,0X35,0 FA.INA	0,000		
120	1290.304.056		THRUST BUSH	1				0,000		
150	---		RETAINING RING	1			H= 2,60- 3,00(ABSTUFUNG:0,10MM)	0,000		
---	0630.502.044	1000000217	RETAINING RING	1			100X3	44		
---	0630.502.152		RETAINING RING	1			100X2,9	0,000		
---	0630.502.151		RETAINING RING	1			100X2,8	0,000		
---	0630.502.150		RETAINING RING	1			100X2,7	0,000		
---	0630.502.172		RETAINING RING	1			100X2,6	0,000		
160	0750.116.373		BALL BEARING	1			45,0X100,0X25,0	0,000		
180	1290.304.588		PULSE DISC	1		C01008885C10	E-SPEEDO	0,000		
190	1290.304.599		OUTPUT FLANGE	1		C01009116C10		0,000		
200	---		HEXAGON BOLT	1		C01009116C10	M14X1,5X75	0,000		
---	0636.100.541		HEXAGON BOLT	1		Z00007284711	M14X1,5X75	0,000		
---	0730.112.181		WASHER	1				0,000		
250	0735.321.529		NEEDLE CAGE	1		C01003030C10	75,0X83,0X40,0 FA.INA	0,000		
260	1290.304.526		HELICAL GEAR	1			3G IN 1290 304 578(1)	0,000		
280	1290.304.509		CLUTCH BODY	1			ENTHALT.IN 1290 304 483(1)	0,000		
290	1317.304.114		SYNCHRO RING	1			ZF-B115III	0,000		
300	1290.204.091		SYNCHRONIZER	1		C01007152E10	KPL.3+4G*B-115 III 1GRAD	0,000		
/10	1290.304.619		SYNCHRO BODY	1			ZF-B115 III	0,000		
/20	---		SLIDING SLEEVE	1		Z00008410910		0,000		
---	1317.304.157	1857498	SLIDING SLEEVE	1				0,000		
---	1317.304.125		SLIDING SLEEVE	1				0,000		
/40	1317.304.081		PRESSURE PIECE	3				0,000		
/60	0732.042.510		COMPR SPRING	3				0,000		

Parts list

Page 3 from 4

Material number: 1290.055.130

6 S 850 /

Plate: 032.04.86-1

Material-assembly-group-no: 1290.104.851



Pos.	Material number	Customer material	Name	Quantity	ME	Amend. no.	Techn. Info.	Weight	Rep kit	Alternative material
310	---		RETAINING RING	1		C01007152E10	H= 2,90- 3,20(ABSTUFUNG:0,10MM)	0,000		
---	0730.501.841		RETAINING RING	1			A=3,20	0,000		
---	0730.501.840		RETAINING RING	1			A=3,10	0,000		
---	0730.501.839		RETAINING RING	1			A=3,00	0,000		
---	0730.501.838		RETAINING RING	1			A=2,90	0,000		
320	1317.304.114		SYNCHRO RING	1			ZF-B115III	0,000		
330	1290.304.508		CLUTCH BODY	1			ENTHALT.IN 1290 304 483(1)	0,000		
350	1290.304.574	A0002627810	HELICAL GEAR	1			4G	0,000		
360	0735.321.528		NEEDLE CAGE	1		C01003030C10	60,0X68,0X30,0 FA.INA	0,060		
370	0730.112.265	A0002621218	WASHER	1		C01000814C10	A=7,00	0,000		
380	0730.513.862		RETAINING RING	1				0,000		
390	0735.321.527		NEEDLE CAGE	1		C01003030C10	44,0X50,0X45,0 FA.INA	0,000		
400	1290.304.547		HELICAL GEAR	1			6G	0,000		
410	1290.304.482		CLUTCH BODY	1		C01007702B10	ENTHALT.IN 1290 302 375(1)	0,000		
420	1317.304.150		SYNCHRO RING	1				0,000		
430	1290.204.087		SYNCHRONIZER	1		C01007137D10	KPL.5+6G*B-100 III	0,000		
/10	1290.304.586		SYNCHRO BODY	1			ZF-B100III	0,000		
/20	---		SLIDING SLEEVE	1				0,000		
---	1317.304.158		SLIDING SLEEVE	1				0,000		
---	1317.304.126		SLIDING SLEEVE	1				0,000		
/40	1317.304.081		PRESSURE PIECE	3				0,000		
/60	0732.042.510		COMPRSPRING	3				0,000		
440	1317.304.150		SYNCHRO RING	1				0,000		
450	---		RETAINING RING	1			H= 2,20- 2,50	0,000		
---	0630.531.050	99673	RETAINING RING	1			40X2,5	0,010		
---	0630.501.287		RETAINING RING	1			40X2,45	0,000		
---	0630.531.314		RETAINING RING	1			40X2,4	0,000		
---	0730.501.274		RETAINING RING	1			A=2,35 IN 0730 501 271(2)	0,000		
---	0630.531.315		RETAINING RING	1			40X2,3	0,000		
---	0630.531.316		RETAINING RING	1			40X2,2	0,000		

Parts list

Page 4 from 4

Material number: 1290.055.130

6 S 850 /

Plate: 032.04.86-1

Material-assembly-group-no: 1290.104.851



Pos.	Material number	Customer material	Name	Quantity	ME	Amend. no.	Techn. Info.	Weight	Rep kit	Alternative material
460	0735.295.119	5 8402 0	INNER RING	1			25,0X31,0X26,0 FA.TORRINGT	0,000		
470	0735.358.128	8 8310 0	ROLLER CAGE	1			31,000X46,000X27,200	0,000		
480	0630.513.070	35052700	SNAP RING	1				0,001		

Plant

Page 1 from 1

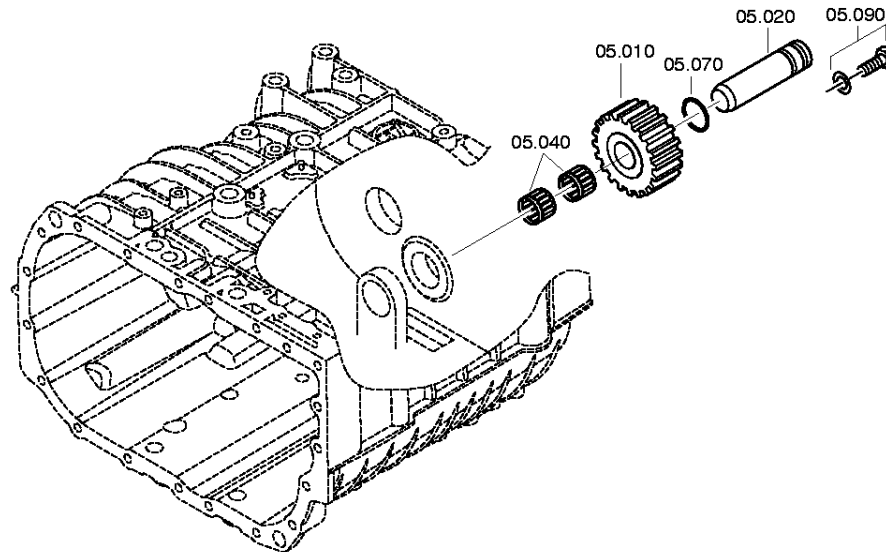
Material number: 1290.055.130

Plate: 032.05.01-1

Material-assembly-group-no: 1290.105.017

6 S 850 /

RETURN



Parts list

Page 1 from 1

Material number: 1290.055.130

6 S 850 /

Plate: 032.05.01-1

Material-assembly-group-no: 1290.105.017



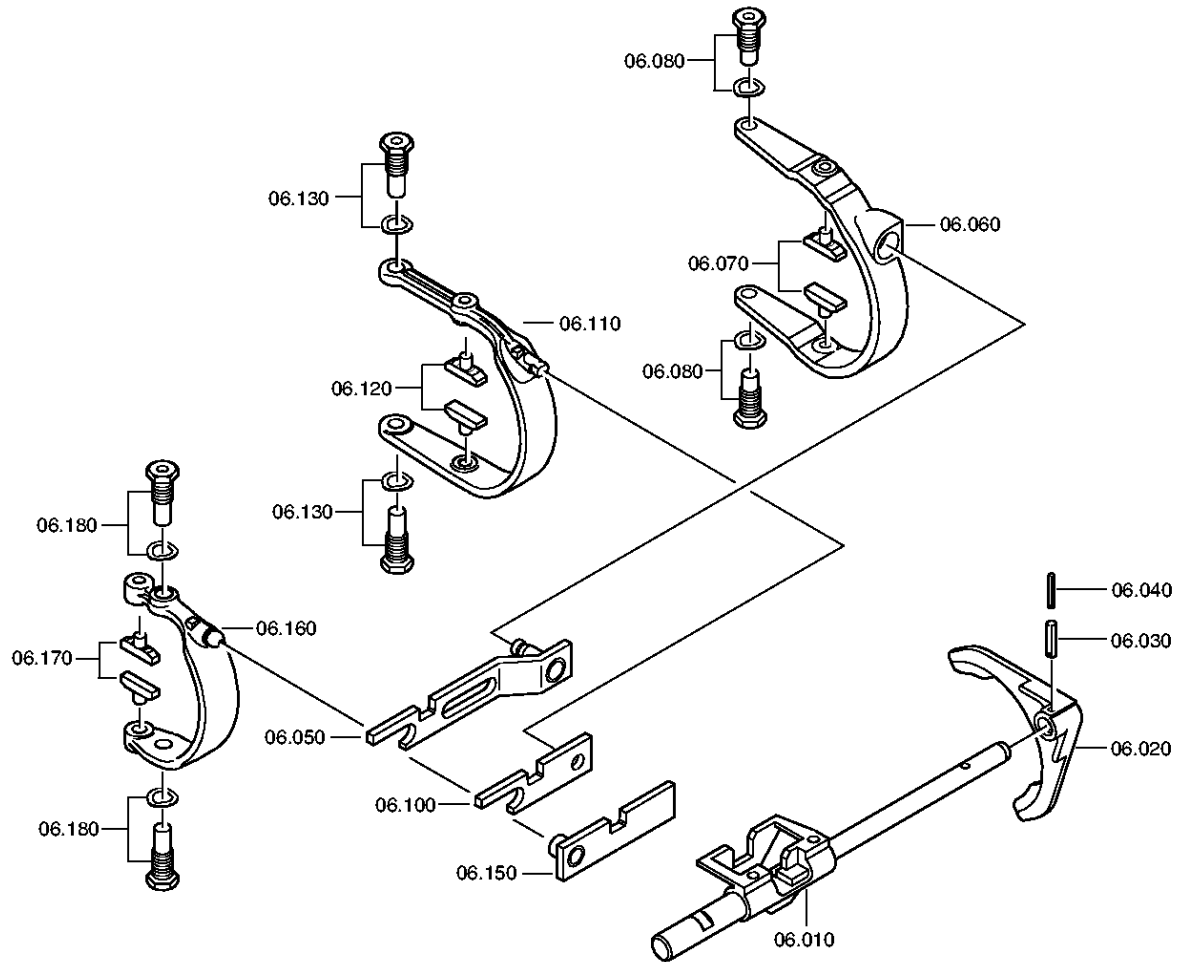
Pos.	Material number	Customer material	Name	Quantity	ME	Amend. no.	Techn. Info.	Weight	Rep kit	Alternative material
10	1290.305.034		REVERSE IDLER GEAR	1			ENTHALT.IN 1290 305 017(1)	0,000		
20	---		REVERSE IDLER SHAFT	1				0,000		
---	1290.305.022		REVERSE IDLER SHAFT	1				0,000		
---	1290.305.028		REVERSE IDLER SHAFT	1				0,000		
40	0635.300.110	0689466	NEEDLE CAGE	2			28X35X18	0,000		
70	0634.313.234	5331123179128	O-RING	1			23X3	0,000		
90	---		HEXAGON BOLT	1			M8X16	0,000		
---	0636.100.622		HEXAGON BOLT	1			M8X16	0,000		
---	0630.100.263		WASHER	1		Z00007164810		0,000		

Plant

Page 1 from 2

Material number: 1290.055.130
Plate: 032.06.09-1
GEAR SHIFT SYSTEM

6 S 850 /
GEAR SHIFT SYSTEM

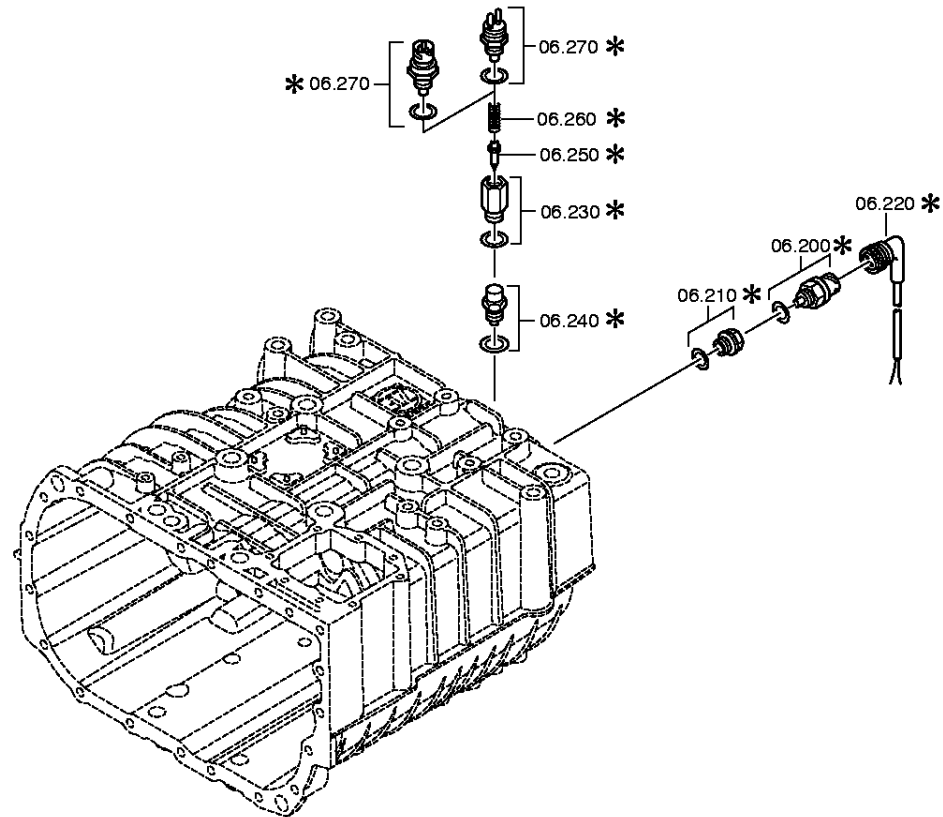


Plant

Page 2 from 2

Material number: 1290.055.130
Plate: 032.06.40-1
GEAR SHIFT SYSTEM

6 S 850 /
GEAR SHIFT SYSTEM



Parts list

Page 1 from 2

Material number: 1290.055.130

6 S 850 /

Plate: 032.06.09-1

Material-assembly-group-no: 1290.106.059



Pos.	Material number	Customer material	Name	Quantity	ME	Amend. no.	Techn. Info.	Weight	Rep kit	Alternative material
10	1290.206.164		GEAR SHIFT RAIL	1			KPL	0,000		
20	---		GEAR SHIFT FORK	1				0,000		
---	1290.306.295		GEAR SHIFT FORK	1			RG	0,000		
---	1290.306.078		GEAR SHIFT FORK	1			RG	0,000		
30	0631.329.068	1000000243	SLOTPIN	1			6X28	3,300		
40	0631.329.027		SLOTPIN	1			3,5X28	0,000		
50	1290.206.156		DRAG LINK	1			KPL.1/2G	0,000		
60	1290.306.494		GEAR SHIFT FORK	1			1/2G	0,000		
70	1290.306.439		SLIDING PAD	2				0,000		
80	---		ARTICULATION BOLT	2			O.INDUKT-HAERTUNG M18X1,5	0,000		
---	1290.306.538		ARTICULATION BOLT	2			M18X1,5 IN 1290 306 206(1)	0,000		
---	---		SPRING WASHER	2				0,000		
100	1290.306.529		DRAG LINK	1			3/4G	0,000		
110	1290.306.550	1827166	GEAR SHIFT FORK	1			3/4G	0,000		
120	1290.306.423		SLIDING PAD	2			ENTHALT.IN 1290 306 422(2)	0,000		
130	---		ARTICULATION BOLT	2			O.INDUKT-HAERTUNG M18X1,5	0,000		
---	1290.306.537		ARTICULATION BOLT	2			M18X1,5 IN 1290 306 206(1)	0,000		
---	---		SPRING WASHER	2				0,000		
150	1290.206.157		DRAG LINK	1			KPL.5/6G	0,000		
160	1290.306.553		GEAR SHIFT FORK	1		C01002647F10	5/6G	0,000		
170	1290.306.423		SLIDING PAD	2			ENTHALT.IN 1290 306 422(2)	0,000		
180	---		ARTICULATION BOLT	2			O.INDUKT-HAERTUNG M18X1,5	0,000		
---	1290.306.537		ARTICULATION BOLT	2			M18X1,5 IN 1290 306 206(1)	0,000		
---	---		SPRING WASHER	2				0,000		
200	---		SWITCH	1			OEFF*45N.M*SCHEIBE* BAJONETT	0,000		

Parts list

Page 2 from 2

Material number: 1290.055.130

6 S 850 /

Plate: 032.06.09-1

Material-assembly-group-no: 1290.106.059

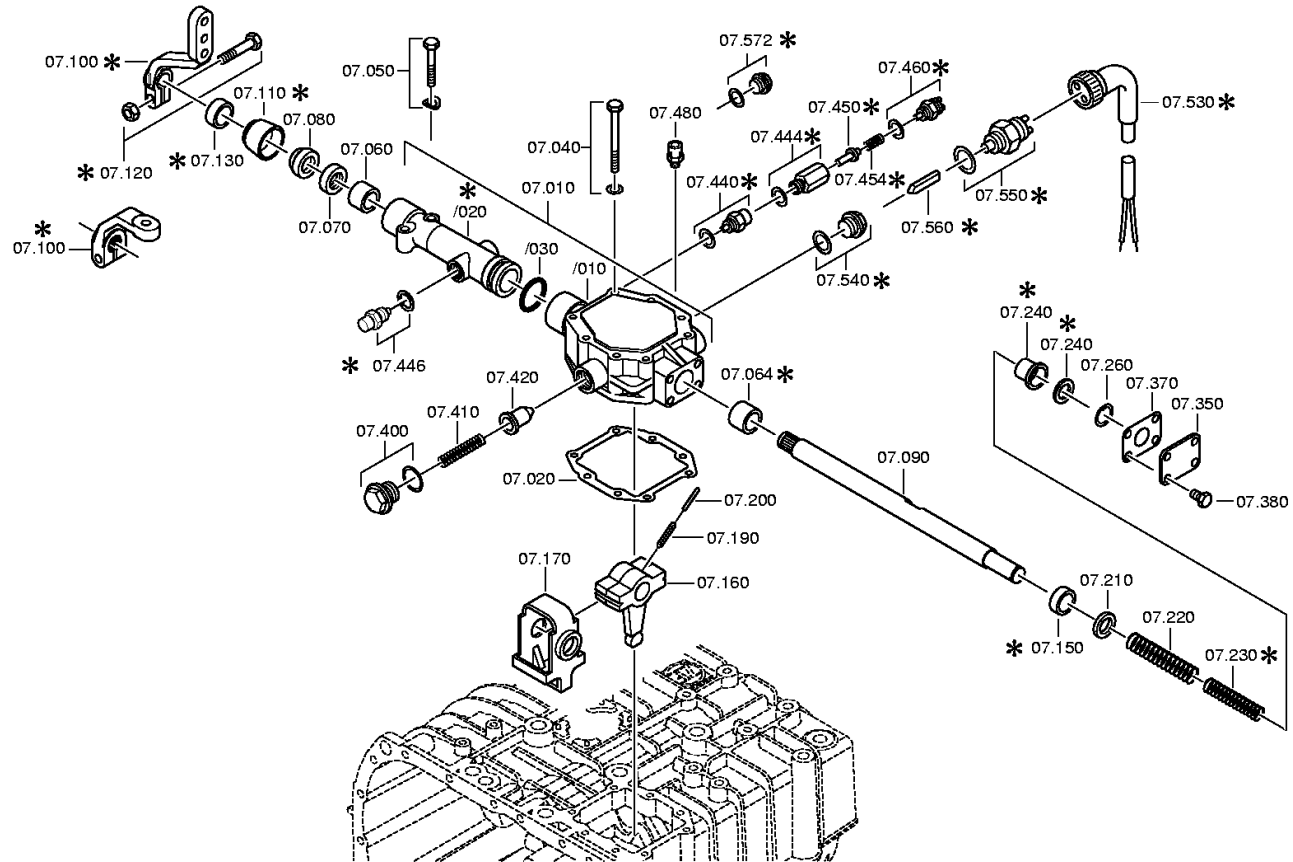


Pos.	Material number	Customer material	Name	Quantity	ME	Amend. no.	Techn. Info.	Weight	Rep kit	Alternative material
---	0501.219.856		SWITCH	1			OEFFNER DIN BAJONETT	0,000		
---	0730.002.064		WASHER	1			A=2,00 IN 0730 003 298(2)	4		
240	---		DETENT PLUNGER	1			120N*65N.M*90GRAD	0,000		
---	1324.207.015		DETENT PLUNGER	1		Z00009029610	KPL. 120 N	0,000		
---	0630.000.072	1000000168	SHIM RING	1			16X22X1	0,010		



Bildtafel:
 Figure: 032.07.05
 Figure:
 Figura:

je nach Stückistenausführung
 depending on spec number
 * suivant la nomenclature
 secondo la distinta base



Parts list

Page 1 from 2

Material number: 1290.055.130

6 S 850 /

Plate: 032.07.05-1

Material-assembly-group-no: 1290.107.801



Pos.	Material number	Customer material	Name	Quantity	ME	Amend. no.	Techn. Info.	Weight	Rep kit	Alternative material
10	1290.206.161		GEAR SHIFT HOUSING	1			KPL.6S850*RL*2 RIEGEL	0,000		
20	1290.306.339		GASKET	1			ENTHALT.IN 1290 306 340(2)	0,000		
40	---		HEXAGON BOLT	8		Z00007170411	M8X70	0,000		
50	---		HEXAGON BOLT	2			M8X50/M8X50Z3	0,000		
---	---		HEXAGON BOLT	2			M8X50	0,000		
---	0636.016.404		HEXAGON BOLT	2		Z00007058711	M8X50	0,000		
---	---		SPRING WASHER	2		Z00018433711		0,000		
---	0630.100.251		SPRING WASHER	2		Z00018433710		0,000		
---	0630.100.458		SPRING WASHER	2		Z00018433710		0,000		
60	0730.260.330	3120-12-177-0347	BEARING BUSH	1			A=20,00 IN 0730 260 546(2)	0,000		
64	0730.260.330	3120-12-177-0347	BEARING BUSH	1			A=20,00 IN 0730 260 546(2)	0,000		
70	0634.300.302	5330-12-156-3127	SHAFT SEAL	1			25X35X7	0,000		
80	0634.307.367		SCRAPER	1				0,009		
90	1290.307.064		GEAR SHIFT SHAFT	1			DOPPELRÄSTIERUNG	0,000		
100	6005.300.606		GEAR SHIFT LEVER	1			U436	0,000		
110	1324.307.268		PROTECTION CAP	1		Z00009174311		0,000		
120	---		BOLT+NUT	1		Z00007891718	M10X40	0,000		
---	0636.100.789	REPLACEMENT FOR 0636.015.469	HEXAGON BOLT	1		Z00007891711	M10X40	0,000		
---	0637.100.419		HEXAGON NUT	1		Z00007892710	M10	0,000		
160	1290.306.542		GSHIFT FINGER	1		C01009577C10		0,000		
170	1290.306.551		LOCKING PIECE	1		C01008843E10		0,000		
190	0631.329.085		SLOTPIN	2			8X36	0,010		
200	0631.329.056		SLOTPIN	2			5X36	0,003		
210	1290.306.464		SLEEVE	1				0,000		
220	0732.041.480		COMPRSPRING	1				0,000		
230	0732.041.977		COMPRSPRING	1				0,000		
240	0730.004.587		WASHER	1			A=2,00 IN 0730 004 585(2)	10		
260	0630.531.005		RETAINING RING	1			16X1,5	0,000		
350	1290.306.098		COVER	1				0,000		

Parts list

Page 2 from 2

Material number: 1290.055.130

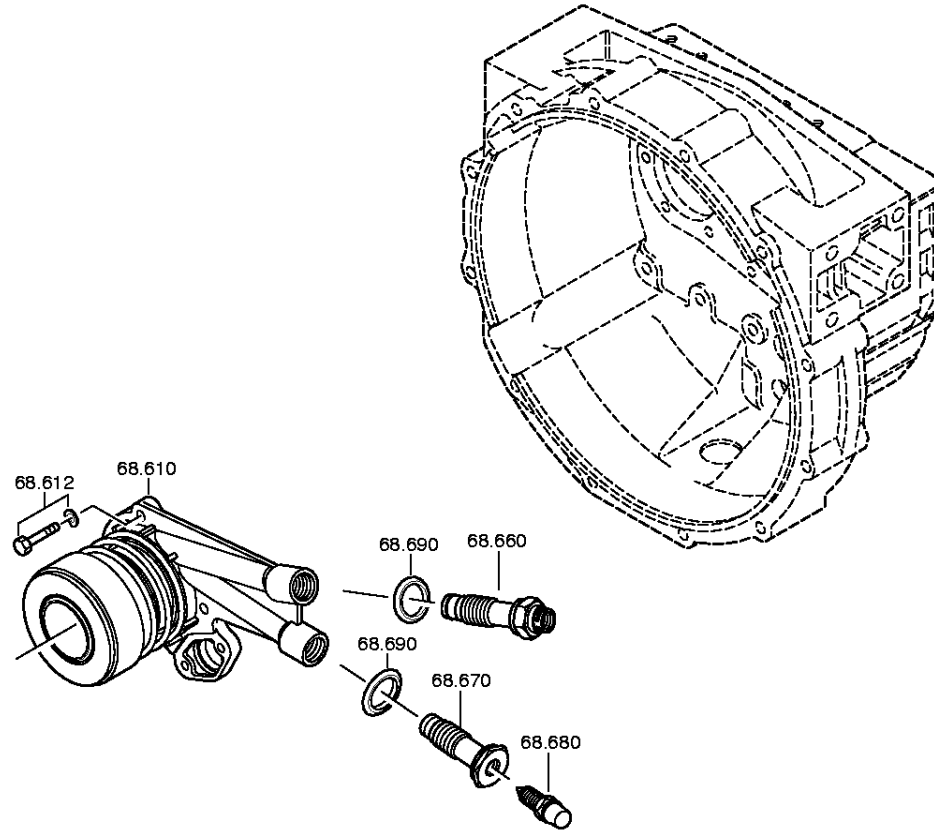
6 S 850 /

Plate: 032.07.05-1

Material-assembly-group-no: 1290.107.801



Pos.	Material number	Customer material	Name	Quantity	ME	Amend. no.	Techn. Info.	Weight	Rep kit	Alternative material
370	1290.306.371		GASKET	1			ENTHALT.IN 1290 306 370(2)	0,000		
380	0636.100.796		HEXAGON BOLT	4		Z00007891113	M8X20	0,000		
400	---		SCREW PLUG	1			50N.M*DICHTRING M24X1,5	0,000		
---	0636.304.088		SCREW PLUG	1		Z00010112112	M24X1,5	0,000		
---	0634.801.206		SEALING RING	1			24X29	0,001		
410	0732.042.253		COMPRSPRING	1				0,000		
420	---		FLANGE BOLT	1			H=28,25-28,55(ABSTUFUNG:0,15MM)	0,000		
---	1290.306.445		FLANGE BOLT	1			A=28,55	0,000		
---	1290.306.444		FLANGE BOLT	1			A=28,40	0,000		
---	1290.306.443		FLANGE BOLT	1			A=28,25	0,000		
440	---		DETENT PLUNGER	1		C01006477C10	88N*65N.M*90GRAD	0,000		
---	1324.207.024		DETENT PLUNGER	1		Z00009022210	88N	0,000		
---	0630.000.072	1000000168	SHIM RING	1			16X22X1	0,010		
446	---		DETENT PLUNGER	1		C01006477C10	88N*65N.M*90GRAD	0,000		
---	1324.207.024		DETENT PLUNGER	1		Z00009022210	88N	0,000		
---	0630.000.072	1000000168	SHIM RING	1			16X22X1	0,010		
480	0501.218.540		BREATHER	1				0,000		
540	---		SCREW PLUG	1		Z00010171912	35N.M*DICHTRING M18X1,5	0,000		
---	0636.100.825		SCREW PLUG	1		Z00010171918	M18X1,5	0,000		
---	0634.801.062		SEALING RING	1		Z00010171918	18X24	0,001		



Parts list

Page 1 from 1

Material number: 1290.055.130

6 S 850 /

Plate: 032.93.21-1

Material-assembly-group-no: 1290.168.004



Pos.	Material number	Customer material	Name	Quantity	ME	Amend. no.	Techn. Info.	Weight	Rep kit	Alternative material
610	0501.007.490		RELEASE DEVICE	1		C01001283C10	MAN-NR.81.30550.0105	0,000		
612	---		HEXAGON BOLT	3		Z00007891319	M8X30	0,000		
---	0636.100.797		HEXAGON BOLT	3		Z00007891310	M8X30	0,000		
---	0630.100.295		WASHER	3		Z00007158414		0,000		
660	0501.212.343		PIPE SOCKET	1			KPL.	0,000		
670	0501.212.344		PIPE SOCKET	1			KPL.	0,000		
680	0501.210.307		BREATHER	1			KPL.	0,000		
690	0750.112.212		SEALING RING	2				0,000		